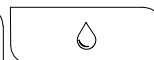
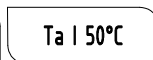
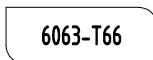
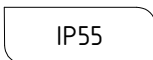
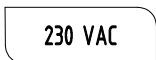
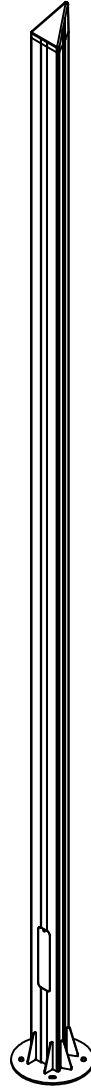


TRIA M INSTALLATION INSTRUCTIONS



ALL DIMENSIONS ARE GIVEN ACCORDING TO THE SI SYSTEM OF UNITS (MM, KG, °C), ADDITIONAL DIMENSIONS THAT ARE WRITTEN IN BRACKETS, ARE GIVEN ACCORDING TO THE U.S. MEASUREMENT SYSTEM (IN, LBS, °F)

GENERAL REMARKS ON SAFETY

- READ ALL OF THESE INSTRUCTIONS BEFORE INSTALLATION.
- KEEP ALL OF THE INSTRUCTIONS FOR FUTURE REFERENCE.
- INSTALLATION IS TO BE PERFORMED BY A QUALIFIED CONTRACTOR.
- ALL INSTALLATIONS ARE TO CONFORM TO THE STANDARDS OF THE NATIONAL ELECTRICAL CODE AS WELL AS ALL LOCAL JURISDICTIONAL CODES AND REGULATIONS.
- THE MANUFACTURER ACCEPTS NO RESPONSIBILITY FOR DAMAGE TO PERSONS OR PROPERTY ARISING THROUGH IMPROPER USE OR INSTALLATION.
- FOR WARRANTY CONDITIONS PLEASE CONSULT LOCAL SALES REPRESENTATIVE.

WIRING

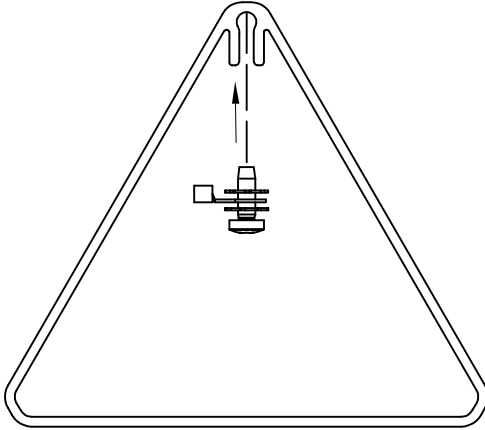
WIRE MARKINGS

POLE POWER SUPPLY CABLE MARKING

L	BROWN	WIRE
N	BLUE	WIRE

POLE DALI WIRE MARKINGS

DALI +	BLACK	WIRE (POSITION 1 IN CONNECTOR)
DALI -	WHITE	WIRE (POSITION 2 IN CONNECTOR)



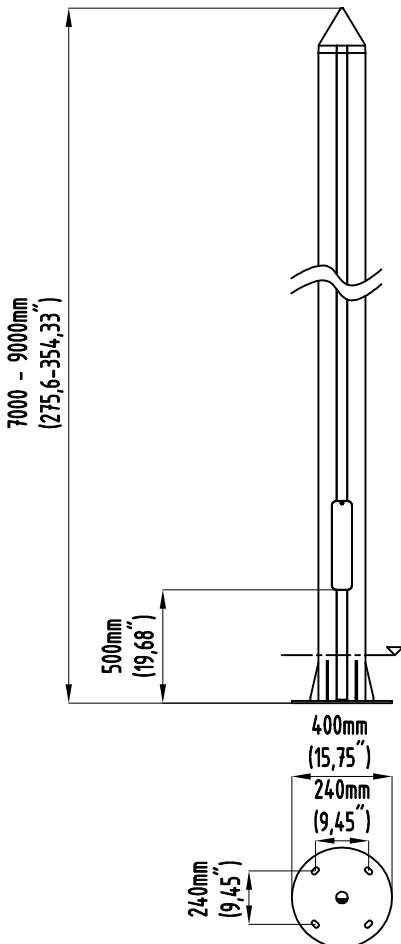
GND - USE THE SUPPLIED SCREWS AND WASHERS TO CONNECT THE GROUNDING CABLE TO THE POLE BY SCREWING THE M6 INTO THE POLE GROOVE AS INDICATED ON THE DETAIL

NOTE:

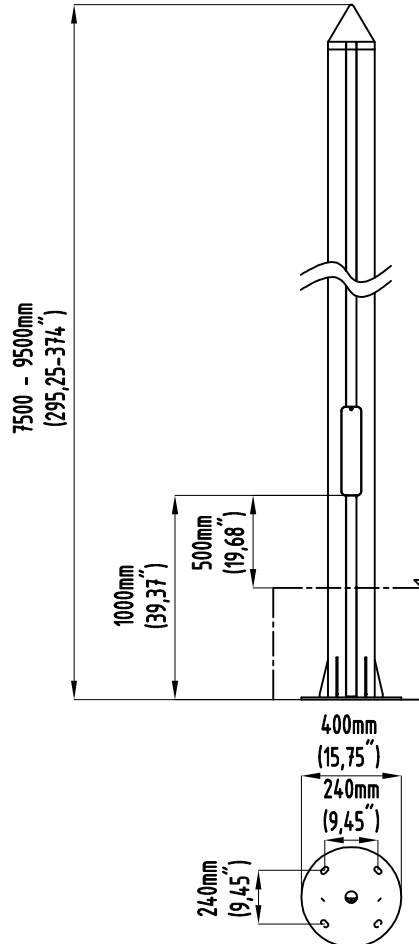
THE POLE IS SUPPLIED FULLY WIRED AND READY TO USE. THE POWER SUPPLY BOX IS MOUNTED AND CONNECTED TO ALL THREE SIDES OF THE POLE. ALL ELECTRICAL WORK SHOULD BE CARRIED OUT BY A QUALIFIED ELECTRICIAN. ALL ELECTRICAL TRUNK SYSTEM ON THE POLE SIDES OPERATE AT 24 VDC AND ARE SLEV TYPE. POLES ORDERED WITHOUT A JUNCTION BOX ARE DELIVERED WITHOUT A PROTECTIVE FUSE.

POLE DIMENSION

CONCRETE ANCHOR MOUNT



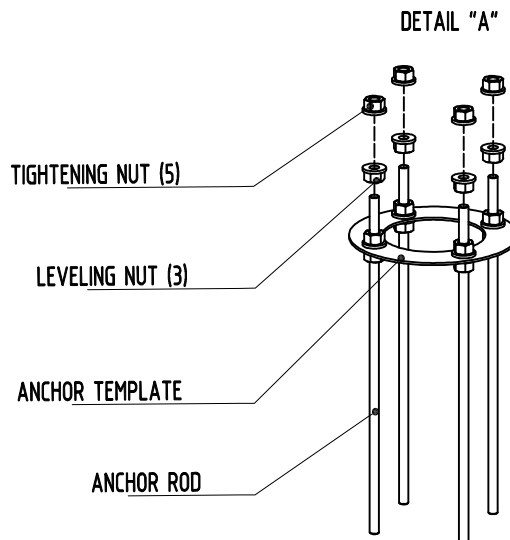
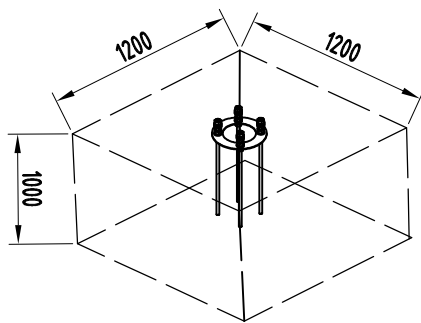
UTILITY VAULT MOUNT



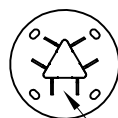
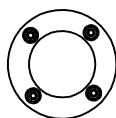
IN-GROUND CONCRETE BASE

1. PREPARE LOCATION FOR POLE PLACEMENT AND POUR CONCRETE AROUND ANCHOR PLATE ASSEMBLY AS PER SKETCH BELLOW. ENSURE THAT THE CABLE CONDUIT (MAXIMUM $\phi 50$ MM) IS PROPERLY PLACED IN THE CONCRETE.(TO BE PLACED IN THE MIDDLE OF ANCHOR SET.)
2. MAKE SURE TO POSITION ANCHOR SET SO THAT, WHEN MOUNTED, THE FRONT FACE OF THE POLE IS FACING YOUR DESIRED DIRECTION AS PER DETAIL "B". (PROTECT THE ANCHOR BOLTS WITH TAPE BEFORE CONCRETE POURING.)
3. ONCE CONCRETE IS CURED POSITION THE POLE ON THE ANCHORS. ENSURE ONE SET OF WASHER AND NUTS ARE PLACED UNDER THE POLE BASE TO ALLOW FINE LEVELING AS PER DETAIL "A".
4. USE THE LEVELING NUTS TO FINE LEVEL THE POLE.
5. AFTER LEVELING THE POLE, USE THE NEXT SET OF NUTS AND WASHERS SECURELY TO FIX THE POLE IN PLACE. (USE A TIGHTENING TORQUE OF 480NM FOR SECURING THE M20 NUTS.)
6. AFTER SECURING THE POLE ON THE ANCHOR BOLTS AND VERIFYING LEVEL, FILL THE VOID BETWEEN THE BASE AND THE CONCRETE FOUNDATION WITH GROUT. (ENSURE COMPLIANCE WITH ALL APPLICABLE LOCAL STANDARD AND GUIDELINES FOR CONCRETE BASE TYPE.)
7. FOLLOW THE WIRING PROCEDURE IN WIRING OF POLE WITH CONCRETE BASE SECTION

NOTE:
MAKE THE CONCRETE BASE A MINIMUM OF 800x800x500MM, OR ENSURE COMPLIANCE WITH ALL APPLICABLE LOCAL STANDARDS AND GUIDELINES. THE POLE MUST NOT PERMANENTLY HAVE CONTACT WITH AGGRESSIVE MEDIA, WHICH MIGHT CORRODE THE POLE.

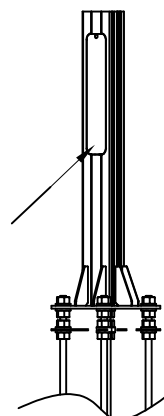


ANCHOR SET / POLE TOP VIEW



FRONT FACING

DETAIL "B"



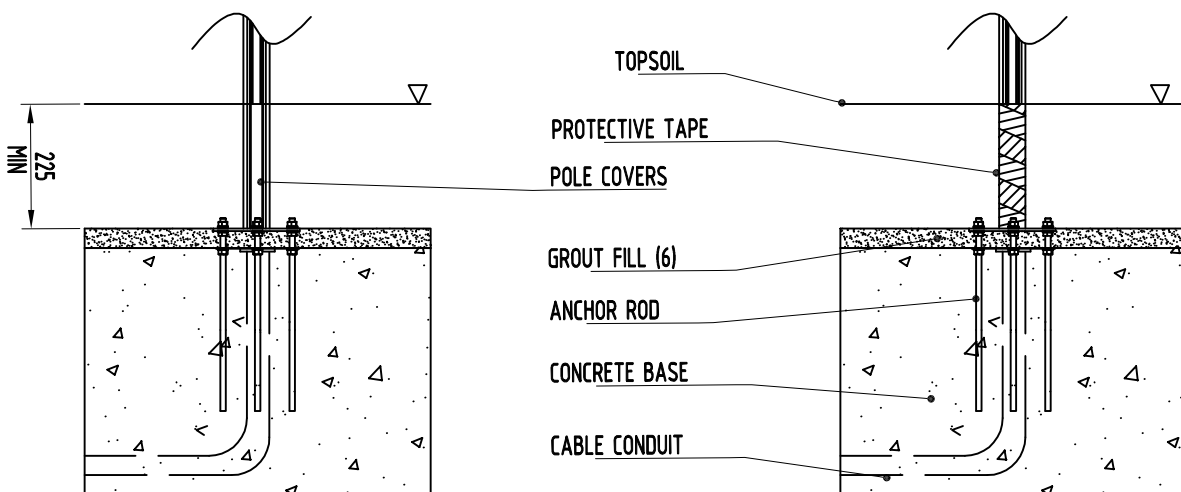
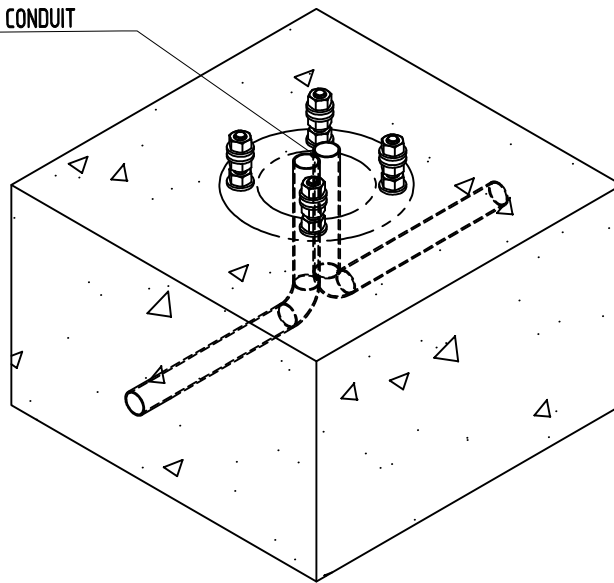
NOTE:

POLE COVERS WILL BE SUPPLIED IN FULL LENGTH AND MUST BE CUT BY A QUALIFIED CONTRACTOR AFTER INSTALLATION OF THE QUICK-CONNECT ADAPTER. AS THE POLE IS PARTIALLY BURIED BELOW THE TOPSOIL, THE COVERS SHALL BE CUT TO SUIT THE BURIED SECTION, AND BITUMEN TAPE SHALL THEN BE APPLIED (BITUMEN TAPE IS NOT SUPPLIED BY THE MANUFACTURER).

THIS ALLOWS FOR A 200mm HEIGHT ALLOCATION FOR PAVING OR OTHER SURFACING.

THE CABLE CONDUIT SHALL BE INSTALLED WITH A MINIMUM CLEARANCE OF 75mm ABOVE THE ANCHOR PLATE TO ALLOW FOR LEVELING AND GROUT VARIATION. THE CONDUIT SHALL BE CUT TO MATCH THE FINAL GROUT HEIGHT PRIOR TO POLE PLACEMENT.

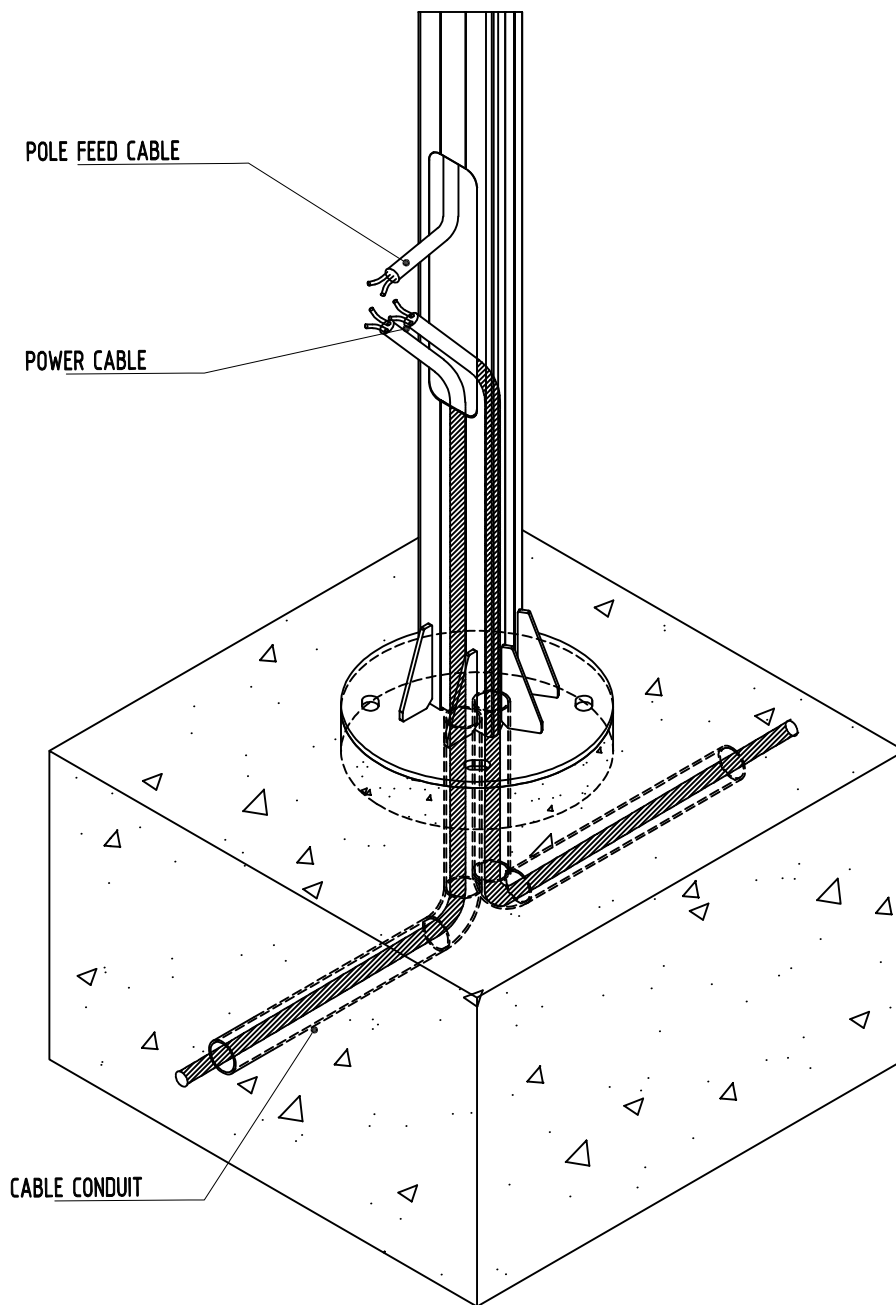
CABLE CONDUIT



WIRING OF POLE WITH CONCRETE BASE

NOTE:
ROUTE THE CABLE THROUGH THE CONDUIT. THE CABLE SHALL BE INSERTED INTO THE POLE; THE CONDUIT SHALL TERMINATE OUTSIDE THE POLE.
CONNECT THE POWER CABLE TO THE POLE FEED CABLE. THE POLE FEED CABLE IS 1m LONG AND MAY BE CUT TO THE DESIRED LENGTH. (CONNECTION TO BE PERFORMED BY QUALIFIED ELECTRICIAN). TERMINAL BLOCK NOT SUPPLIED BY MANUFACTURER. WHERE FUSE BOX IS REQUIRED, IT SHALL BE ORDERED SEPARATELY.

A MAXIMUM OF TWO CABLES 3x10mm² MAY BE ROUTED INTO THE POLE TO ALLOW FOR LOOP-IN WIRING. WHERE CABLES WITH LARGER CROSS-SECTION, THEY SHALL BE SPLICED DOWN TO A SMALLER CROSS-SECTION. FOR ELECTRICAL CONNECTION A POWER CABLE LENGTH OF APPROXIMATELY 1m ABOVE MOUNTING SURFACE SHALL BE LEFT.

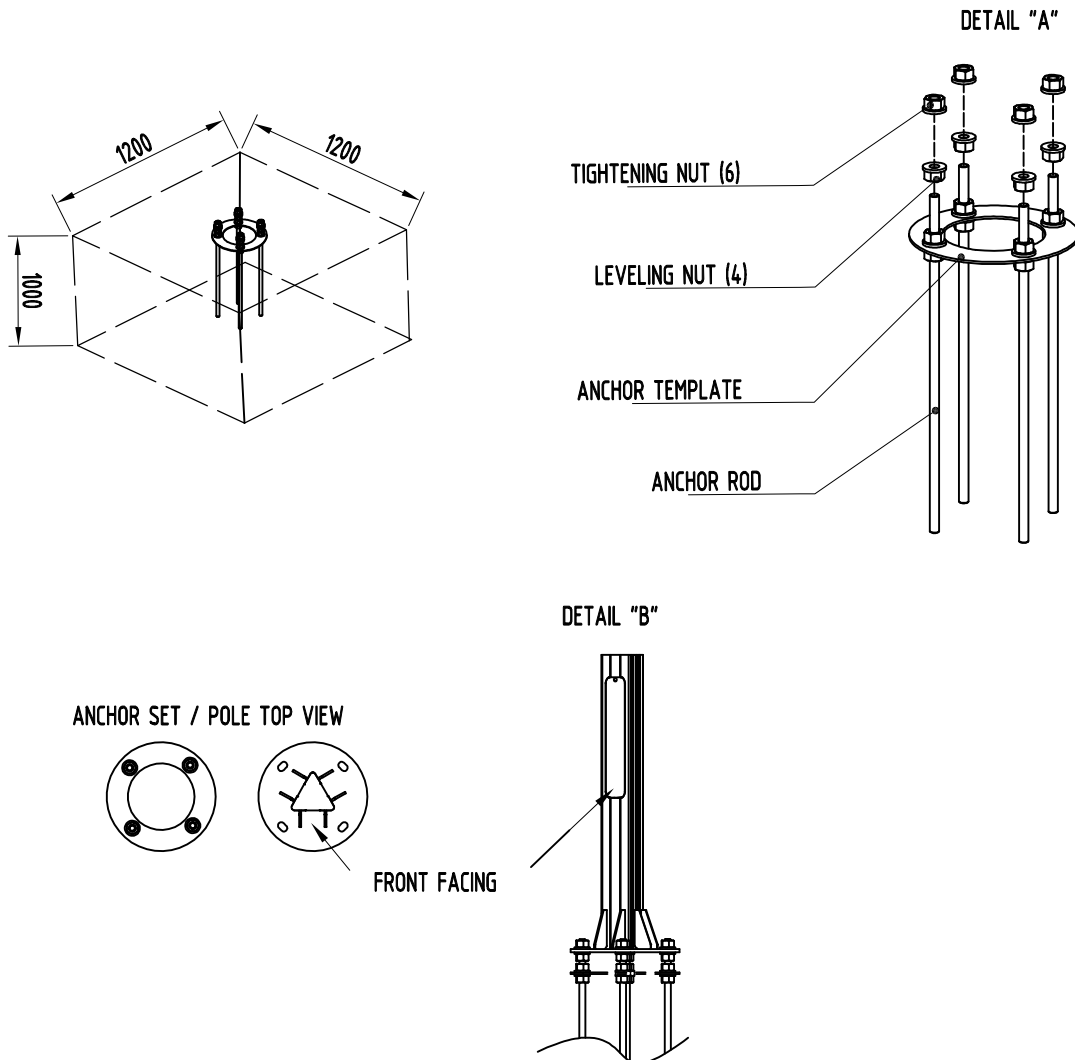


UTILITY VAULT BASE

1. PREPARE LOCATION FOR POLE PLACEMENT AND POUR CONCRETE AROUND ANCHOR PLATE ASSEMBLY AS PER SKECH BELLOW. ENSURE THAT THE CABLE CONDUIT (MAXIMUM $\phi 50$ MM) IS PROPERLY PLACED IN THE CONCRETE OR IN THE UTILITY-VAULT. IF THE CONDUIT IS PLACED IN CONCRETE FOLLOW CONCRETE BASE CONDUIT NOTES.
2. MAKE SURE TO POSITION ANCHOR SET SO THAT, WHEN MOUNTED, THE FRONT FACE OF THE POLE IS FACING YOUR DESIRED DIRECTION AS PER DETAIL "B". (PROTECT THE ANCHOR BOLTS WITH TAPE BEFORE CONCRETE POURING.)
3. ONCE THE CONCRETE IS CURED POSITION THE UTILITY-VAULT ON THE CONCRETE BLOCK. THE HOLE ON THE UTILITY-VAULT SHOULD BE CONCENTRIC WITH THE ANCHOR SET. ONCE THE UTILITY-VAULT IS IN DESIRED POSITION, USE SUITABLE SCREWS TO FIX THE UTILITY-VAULT WITH THE CONCRETE BLOCK. (SCREWS NOT SUPPLIED BY THE MANUFACTURER)
4. ONCE THE UTILITY-VAULT IS SECURED, POSITION THE POLE ON THE ANCHORS. ENSURE ONE SET OF WASHER AND NUTS ARE PLACED UNDER THE POLE BASE TO ALLOW FINE LEVELING AS PER DETAIL "A".
5. USE THE LEVELING NUTS TO FINE LEVEL THE POLE.
6. AFTER LEVELING THE POLE, USE THE NEXT SET OF NUTS AND WASHERS SECURELY TO FIX THE POLE IN PLACE. (USE A TIGHTENING TORQUE OF 480NM FOR SECURING THE M20 NUTS.)
7. AFTER SECURING THE POLE ON THE ANCHOR BOLTS AND VERIFYING LEVEL, FILL THE VOID BETWEEN THE BASE AND THE CONCRETE FOUNDATION WITH GROUT. (ENSURE COMPLIANCE WITH ALL APPLICABLE LOCAL STANDARD AND GUIDELINES FOR CONCRETE BASE TYPE.)
7. FOLLOW THE WIRING PROCEDURE IN WIRING OF POLE WITH UTILITY VAULT.
8. ONCE THE FEED CABLE IS CONNECTED AND ALL OTHER WORK IN THE UTILITY VAULT COMPLETE, INSTALL THE COVER BOX TO CLOSE THE VAULT.

NOTE:

MAKE THE CONCRETE BASE A MINIMUM OF 800x800x500MM, OR ENSURE COMPLIANCE WITH ALL APPLICABLE LOCAL STANDARDS AND GUIDELINES. THE POLE MUST NOT PERMANENTLY HAVE CONTACT WITH AGGRESSIVE MEDIA, WHICH MIGHT CORRODE THE POLE.

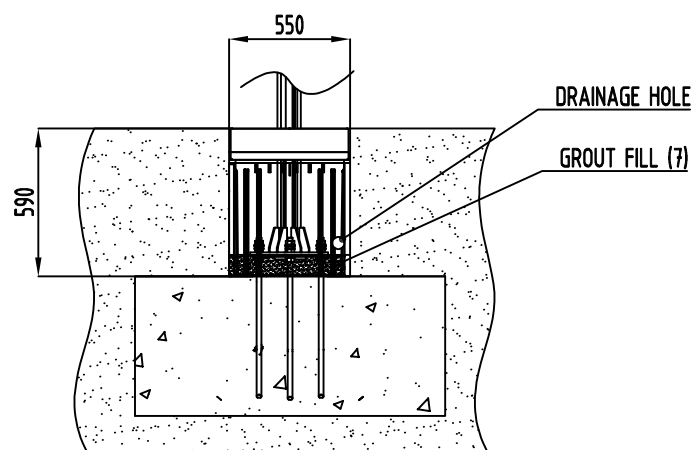
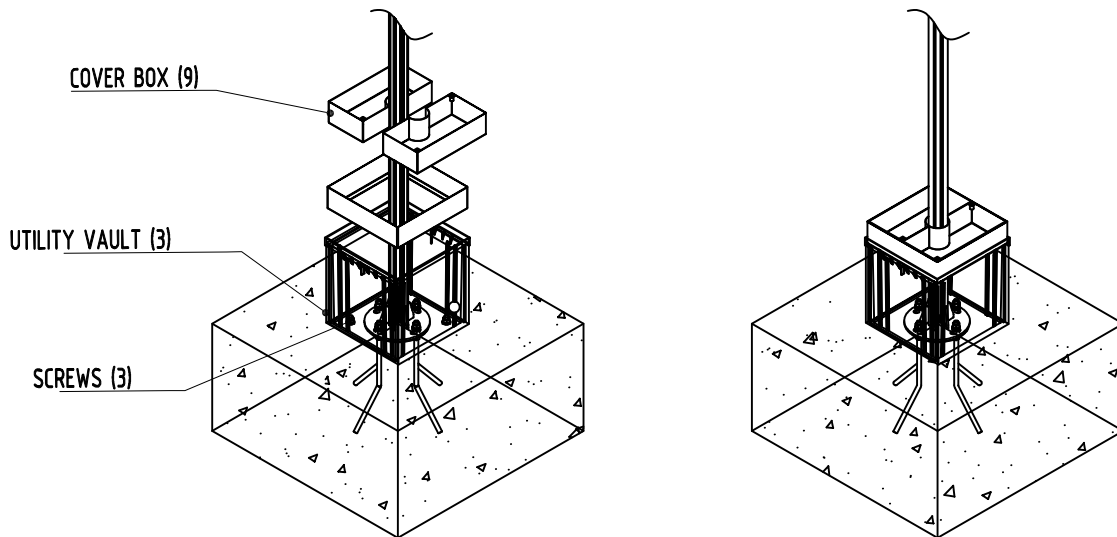


INSTALLATION GUIDE

NOTE:

POLE COVERS WILL BE SUPPLIED IN FULL LENGTH AND MUST BE CUT BY THE QUALIFIED CONTRACTOR AFTER QUICK-CONNECT ADAPTER INSTALLATION. ENSURE THE DRAINAGE HOLE IS LOCATED ABOVE GROUT LEVEL.

THE UTILITY VAULT IS SUPPLIED WITH PRE-CUT HOLES FOR PROPER POSITIONING. ALL CONDUIT PLACEMENT HOLES SHALL BE FIELD-CUT BY THE CONTRACTOR. THE COVER BOX SHALL BE 100MM IN DEPTH AND MAY BE FILLED WITH THE REQUIRED INFILL.



INSTALLATION GUIDE

WIRING OF POLE WITH UTILITY VAULT

NOTE:
ROUTE THE CABLE THROUGH THE CONDUIT. THE CABLE SHALL BE INSERTED INTO THE UTILITY VAULT; THE CONDUIT SHALL TERMINATE INSIDE THE UTILITY VAULT..

CONNECT THE POWER CABLE TO THE POLE FEED CABLE. THE POLE FEED CABLE IS 1m LONG AND MAY BE CUT TO THE DESIRED LENGTH. (CONNECTION TO BE PERFORMED BY QUALIFIED ELECTRICIAN). TERMINAL BLOCK NOT SUPPLIED BY MANUFACTURER. WHERE A FUSE BOX IS REQUIRED, IT SHALL BE ORDERED SEPARATELY..

A MAXIMUM OF TWO CABLES 3x10mm² MAY BE ROUTED INTO THE POLE TO ALLOW FOR LOOP-IN WIRING. IN CASE CABLE WITH LARGER CROSS SECTION ARE USED, THEY SHALL BE SPLICED DOWN TO A SMALLER CROSS SECTION.

FOR ELECTRICAL CONNECTION A POWER CABLE LENGTH OF APPROXIMATELY 1,5m ABOVE MOUNTING SURFACE MUST BE LEFT.

AT THE BOTTOM OF THE POLE, THERE IS A 40x25 mm OPENING ON ALL THREE SIDES FOR CABLE ROUTING.

