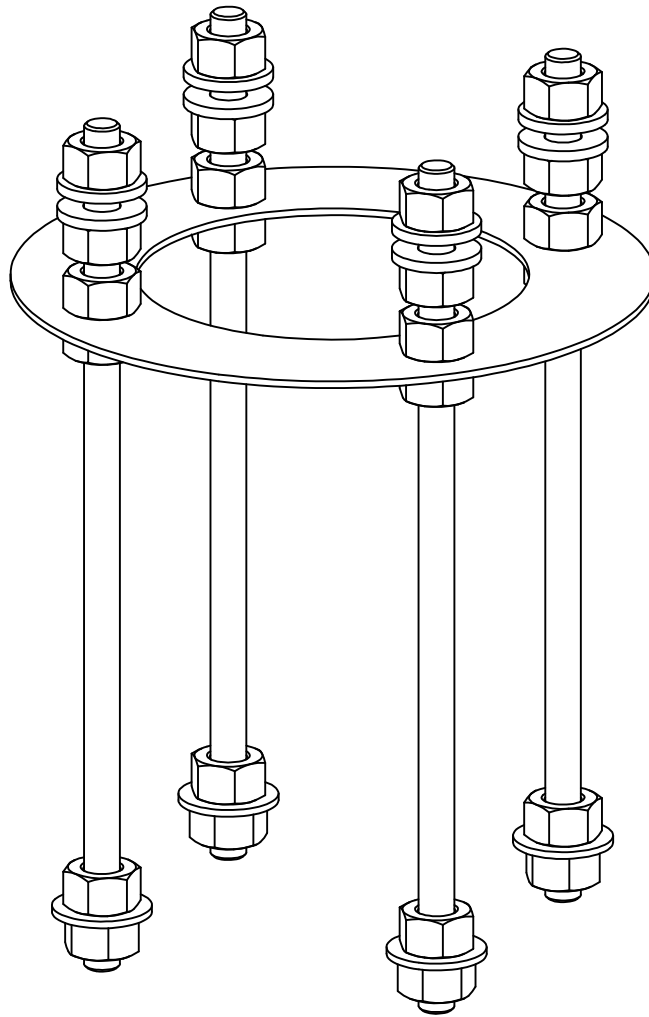


TRIAL ANCHORING INSTALLATION INSTRUCTIONS



ALL DIMENSIONS ARE GIVEN ACCORDING TO THE SI SYSTEM OF UNITS (MM, KG, °C), ADDITIONAL DIMENSIONS THAT ARE WRITTEN IN BRACKETS, ARE GIVEN ACCORDING TO THE U.S. MEASUREMENT SYSTEM (IN, LBS, °F)

GENERAL REMARKS ON SAFETY

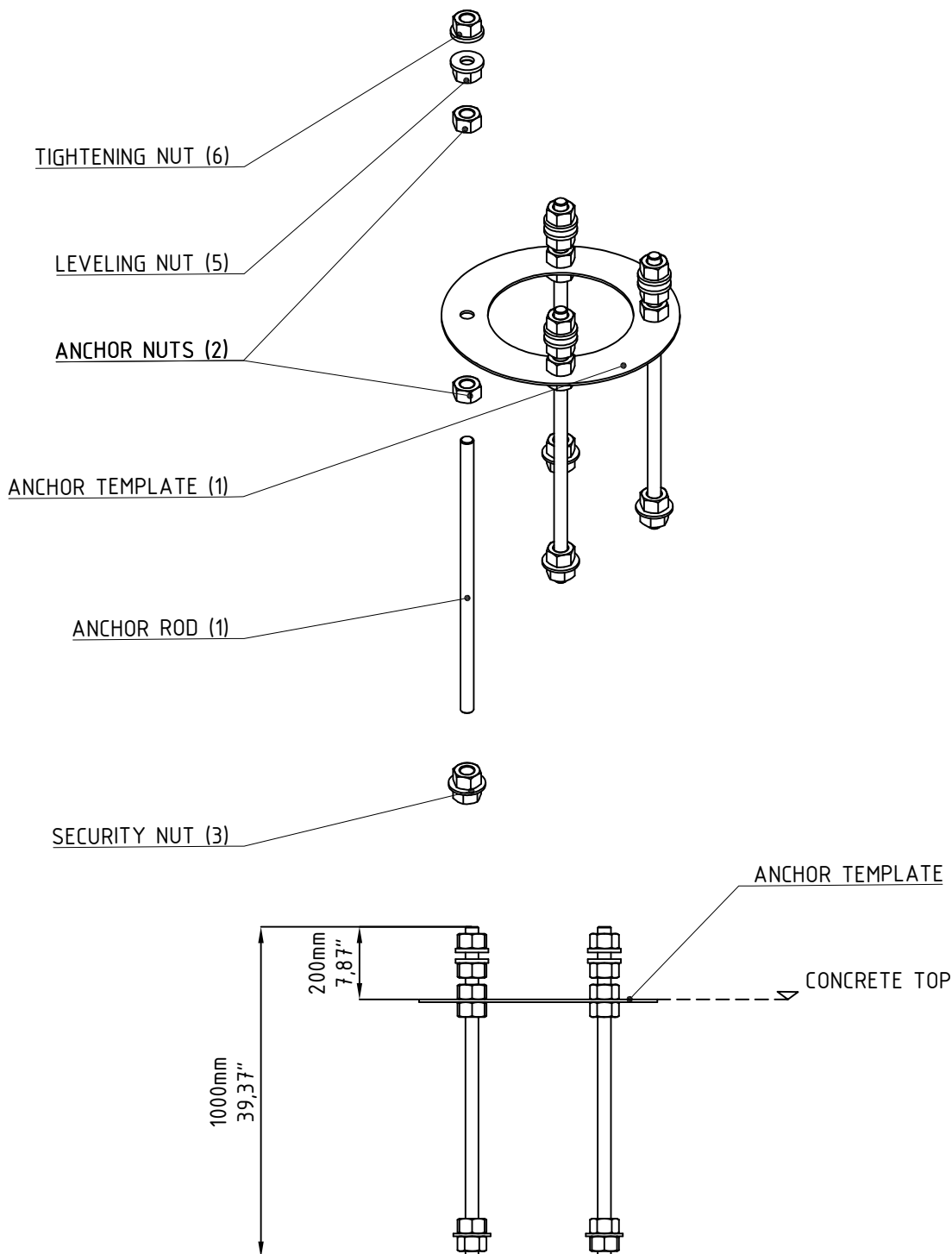
- READ ALL OF THESE INSTRUCTIONS BEFORE INSTALLATION.
- KEEP ALL OF THE INSTRUCTIONS FOR FUTURE REFERENCE.
- INSTALLATION IS TO BE PERFORMED BY A QUALIFIED CONTRACTOR.
- ALL INSTALLATIONS ARE TO CONFORM TO THE STANDARDS OF THE NATIONAL ELECTRICAL CODE AS WELL AS ALL LOCAL JURISDICTIONAL CODES AND REGULATIONS.
- THE MANUFACTURER ACCEPTS NO RESPONSIBILITY FOR DAMAGE TO PERSONS OR PROPERTY ARISING THROUGH IMPROPER USE OR INSTALLATION.
- FOR WARRANTY CONDITIONS PLEASE CONSULT LOCAL SALES REPRESENTATIVE.

ANCHOR SET

1. INSERT THE ANCHOR RODS INTO DESIGNATED HOLES IN THE ANCHOR TEMPLATES
2. SECURE THE COMPONENTS IN PLACE USING THE ANCHOR NUTS. ENSURE THAT 200MM (7,87") OF THE THREADED ROD EXTENDS ABOVE THE ANCHOR TEMPLATE.
3. ON THE LONGER END (BOTTOM) OF EACH ROD, INSTALL A WASHER BETWEEN TWO NUTS. POSITION THIS ASSEMBLY AT THE BOTTOM OF THE ROD AND SECURELY TIGHTEN THE NUTS
4. THE ANCHOR SET IS NOW READY FOR CONCRETE PLACEMENT. ENSURE THAT 200MM (7,87") OF THREADED ROD REMAINS ABOVE THE FINISHED CONCRETE SURFACE, AS THIS LENGTH IS REQUIRED FOR POLE INSTALLATION.

NOTE :

USE TAPE OR ANOTHER SUITABLE METHOD TO PROTECT THE EXPOSED RODS DURING CONCRETE POURING.
 MAKE SURE THE ANCHOR TEMPLATE IS FULLY IN THE CONCRETE AND LEVEL WITH SURFACE.
 USE THE REMAINING NUTS AND WASHERS TO LEVEL THE POLE AND TIGHTEN IT SECURELY IN PLACE.



UTILITY - VAULT

1. ONCE THE CONCRETE HAS SET, PLACE THE UTILITY VAULT ON TOP. (ENSURE THE UTILITY-VAULT HOLE IS CONCENTRIC WITH ANCHOR BASE)
2. USE SCREWS TO CONNECT THE UTILITY VAULT TO THE CONCRETE USING THE DESIGNATED HOLES.
3. PLACE UTILITY-VAULT ADAPTER ON TOP
4. ONCE ALL IS SET, THE SPACE AROUND THE VAULT CAN BE FILLED.
5. ONCE THE POLE IS SET AND SECURED, THE FINAL COVERS CAN BE INSTALLED TO ACCOMMODATE THE DESIRED INFILL.

