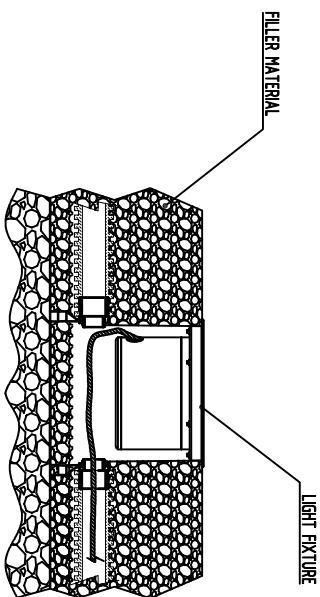


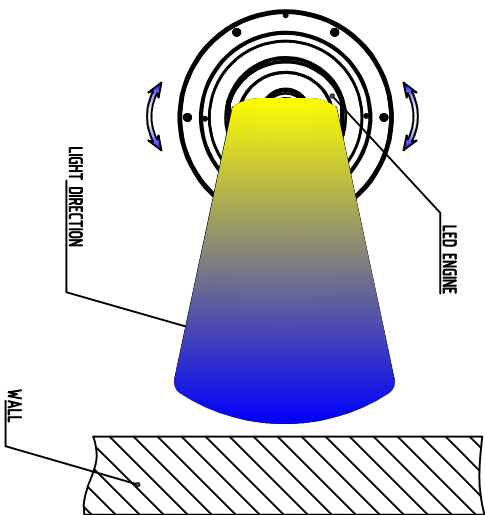
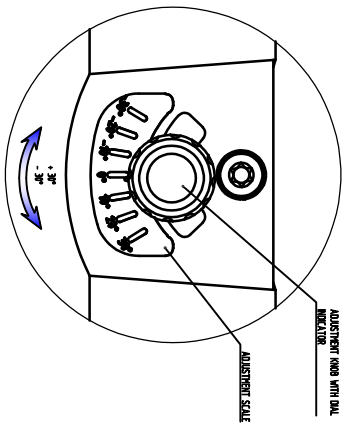
INSTALLATION GUIDE - DIRECT BURIAL

1. INSERT THE LIGHT FIXTURE INTO THE GROUND HOLE AND TOP IT OFF WITH FILLER MATERIAL.
2. FOR ADJUSTMENT OF THE LIGHT BEAM PLEASE SEE PREVIOUS CHAPTER WHICH APPLIES TO THE VARIANT WITH INSTALLATION HOUSING.

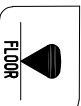
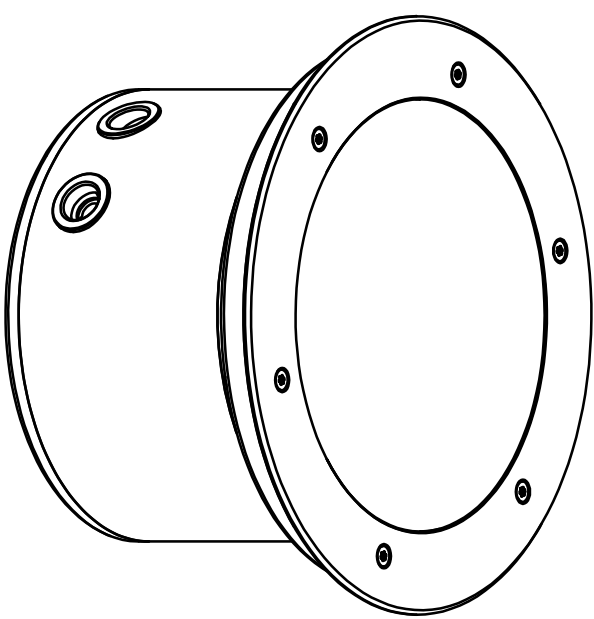


STEP 5.

STEP 6./6.A



RD1200
INSTALLATION INSTRUCTIONS (FIXTURE)



110-277 VAC
60 Hz



P68

AIS304

Ta 1 50°C

K10



ALL DIMENSIONS ARE GIVEN ACCORDING TO THE SI SYSTEM OF UNITS (MM, KG, °C), ADDITIONAL DIMENSIONS THAT ARE WRITTEN IN BRACKETS, ARE GIVEN ACCORDING TO THE U.S. MEASUREMENT SYSTEM (IN, LBS, °F)

GENERAL REMARKS ON SAFETY

- READ ALL OF THESE INSTRUCTIONS BEFORE INSTALLATION.
- KEEP ALL OF THE INSTRUCTIONS FOR FUTURE REFERENCE.
- INSTALLATION IS TO BE PERFORMED BY A QUALIFIED CONTRACTOR.
- ALL INSTALLATIONS ARE TO CONFORM TO THE STANDARDS OF THE NATIONAL ELECTRICAL CODE AS WELL AS ALL LOCAL JURISDICTIONAL CODES AND REGULATIONS.
- THE MANUFACTURER ACCEPTS NO RESPONSIBILITY FOR DAMAGE TO PERSONS OR PROPERTY ARISING THROUGH IMPROPER USE OR INSTALLATION.
- FOR WARRANTY CONDITIONS PLEASE CONSULT LOCAL SALES REPRESENTATIVE.

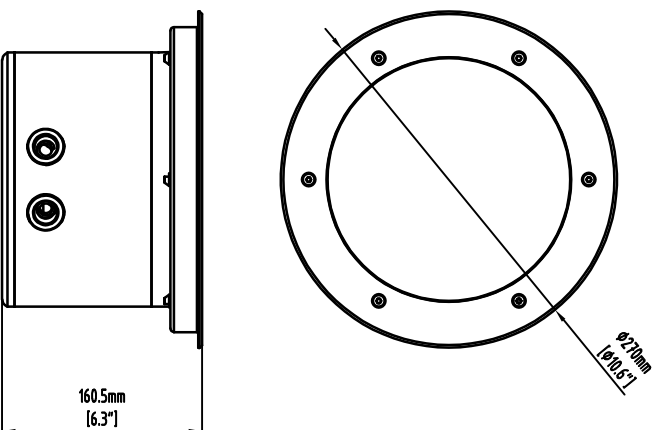
WIRING

WIRE MARKINGS

POWER CABLE	WIRE	CONTROL CABLE	WIRE
L	BROWN	+DALI	BLACK WIRE
N	BLUE	-DALI	WHITE WIRE
GROUND	YELLOW GREEN	AUX 24V	GREEN WIRE
			GREEN WIRE

NOTE:
WHERE LUMINAIRE IS DELIVERED WITH CONNECTING LEADS AND WITHOUT A MEANS OF CONNECTION TO THE POWER SUPPLY TERMINAL BLOCKS MAY BE USED (TERMINAL BLOCKS NOT SUPPLIED BY MANUFACTURER). TERMINAL BLOCKS SHALL BE IN THE SAME IP RATING AS THE LUMINAIRE ITSELF. WITH RATED VOLTAGE OF MIN. 400 V AND RATED CONNECTION CAPACITY OF 10A, CONNECTION WIRE ENDS COMING FROM POWER SUPPLY TO BE PREPARED AS TERMINAL BLOCK MANUFACTURER RECOMMENDS. TERMINAL BLOCK SHOULD BE PLACED IN A LOCATION WHERE IT DOESN'T AFFECT THE LUMINAIRE OPERATION.

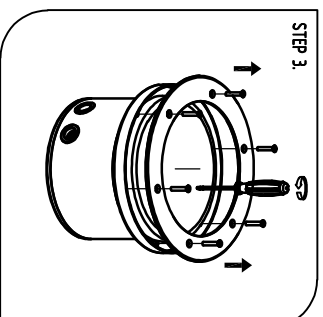
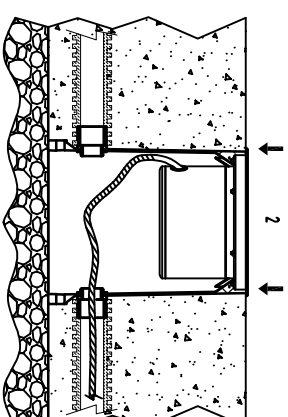
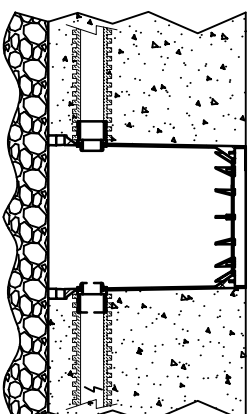
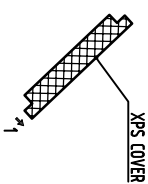
FIGURE DIMENSIONS



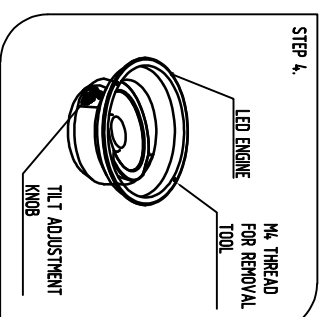
INSTALLATION GUIDE

- BEFORE INSTALLING THE FIXTURE REMOVE THE INSTALLATION HOUSING XPS COVER.
- LOWER THE FIXTURE INTO THE INSTALLATION HOUSING AND INSTALL THE SECURING SCREWS PROVIDED WITH THE FIXTURE ASSEMBLY.
- UNSCREW THE TOP SCREWS USED TO SECURE THE FLANGE TO THE FIXTURE USING A TX25 SCREWDRIVER.
- PULL OUT THE LED ENGINE USING A REMOVAL TOOL OR STANDARD M4 THREADED SCREWS TO EXPOSE THE TILT ADJUSTMENT MECHANISM.
- SLIGHTLY UNSCREW THE TILT ADJUSTMENT KNOB TO ALLOW THE MANUAL ADJUSTMENT OF THE LED MODULE.
- (STEP 5.A) MANUALLY, USING THE TECHNICIAN'S HAND ADJUST THE DESIRED FIXTURE ANGLE BETWEEN -30°, 0° AND +30° (DETAIL 'B').
- ONCE THE DESIRED ANGLE HAS BEEN ACHIEVED, TIGHTEN BACK THE ADJUSTMENT KNOB TO LOCK THE ANGLE IN-PLACE. REINSTALL THE LED ENGINE BACK INTO THE FIXTURE BODY.
- (STEP 6.A) FURTHER ADJUSTMENT CAN BE DONE BY ROTATING THE LED ENGINE FROM 0 TO 360° WITHIN THE FIXTURE BODY. TO LOCK THE ADJUSTED BEAM ANGLE, REINSTALL BACK THE FIXTURE GLASS AND TIGHTEN IT WITH THE FLANGE AND SCREWS REMOVED IN STEP 1.

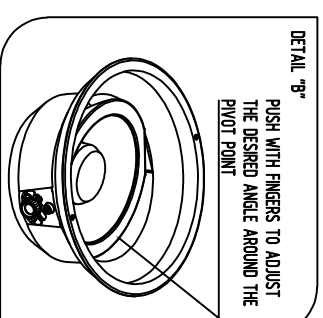
NOTE: THE FIXTURE COMES PRE-WIRED WITH A NON-REMOVABLE LEAD CABLE AND IT'S UP TO THE CUSTOMER TO ROUTE THE CABLE IN A SAFE MANNER FROM THE INSTALLATION SITE INTO THE DRY AREA CONTROL ROOM.
BEFORE ADJUSTING THE DESIRED FIXTURE ANGLE OF THE LIGHT BEAM, TURN OFF THE POWER.



STEP 3.



STEP 4.



DETAIL 'B'