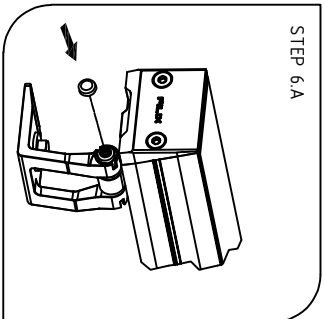
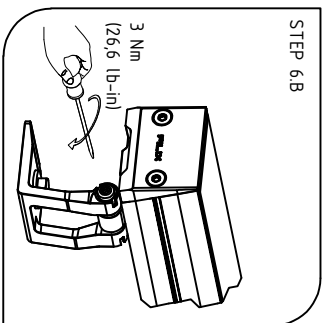


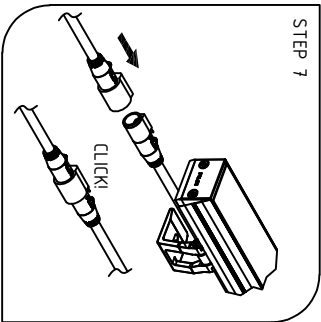
STEP 5



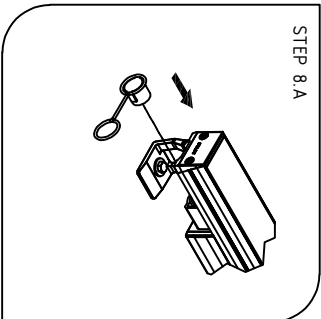
STEP 6.A



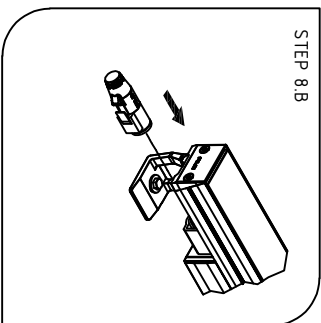
STEP 6.B



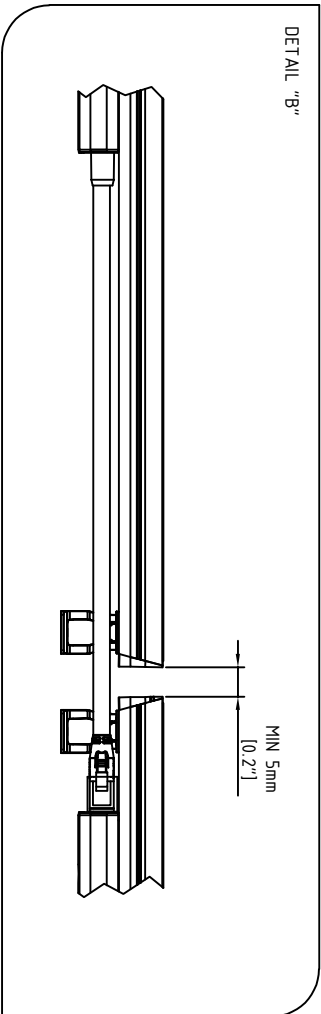
STEP 7



STEP 8.A



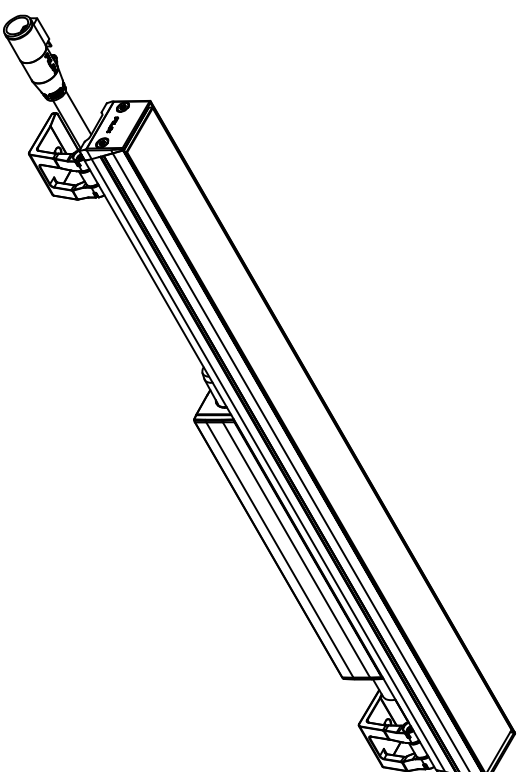
STEP 8.B



DETAIL "B"

MIN 5mm
[0.2"]

HEMERA HECTO
INSTALLATION INSTRUCTIONS (FIXTURE)



230 VAC



WALL



CEILING

IP66

AL6060

Ta 1 50°C

IK7



ALL DIMENSIONS ARE GIVEN ACCORDING TO THE SI SYSTEM OF UNITS (MM, KG, °C). ADDITIONAL DIMENSIONS THAT ARE WRITTEN IN BRACKETS, ARE GIVEN ACCORDING TO THE U.S. MEASUREMENT SYSTEM (IN, LBS, °F).

GENERAL REMARKS ON SAFETY

- READ ALL OF THESE INSTRUCTIONS BEFORE INSTALLATION.
- KEEP ALL OF THE INSTRUCTIONS FOR FUTURE REFERENCE.
- INSTALLATION IS TO BE PERFORMED BY A QUALIFIED CONTRACTOR.
- ALL INSTALLATIONS ARE TO CONFORM TO THE STANDARDS OF THE NATIONAL ELECTRICAL CODE AS WELL AS ALL LOCAL JURISDICTIONAL CODES AND REGULATIONS.
- THE MANUFACTURER ACCEPTS NO RESPONSIBILITY FOR DAMAGE TO PERSONS OR PROPERTY ARISING THROUGH IMPROPER USE OR INSTALLATION.
- FOR WARRANTY CONDITIONS PLEASE CONSULT LOCAL SALES REPRESENTATIVE

WIRE MARKINGS

L	BROWN	WIRE	(POS. 1 IN CONNECTOR)
DATA	BLACK	WIRE	(POS. 2 IN CONNECTOR)
	GRAY	WIRE	(POS. 3 IN CONNECTOR)
N	BLUE	WIRE	(POS. 4 IN CONNECTOR)

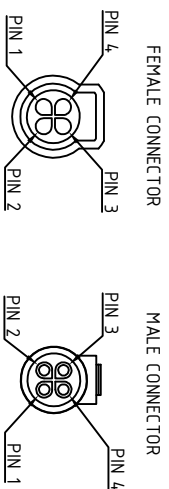
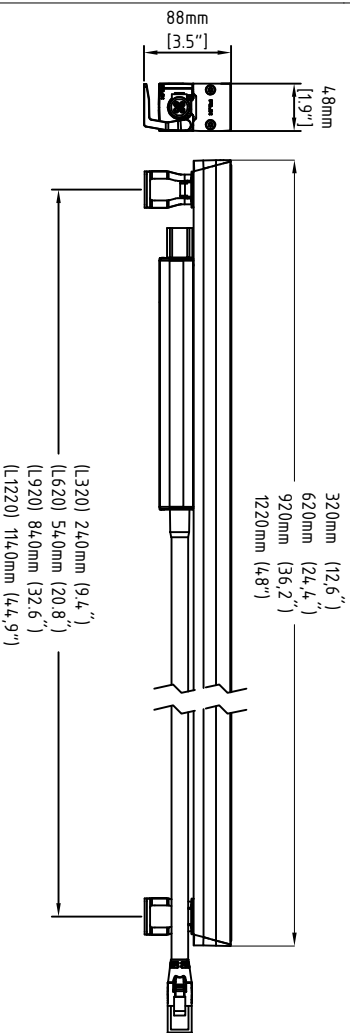


FIGURE DIMENSIONS



INSTALLATION GUIDE

- ADJUST POSITION OF THE HEMERA HECTO HOLDERS (SEE THE SUGGESTED DISTANCE IN FIXTURE DIMENSIONS, ADJUSTING IS SHOWN IN STEP 1.A) AND FASTEN THEM WITH THE SET SCREWS M4 x 6, SUPPLIED BY MANUFACTURER (STEP 1B)
- FOR INSTALLATION IN CONCRETE SURFACE MARK THE LOCATION OF MOUNTING HOLES (FIXTURE MOUNTING HOLE SIZE SHOWN IN DETAIL "A") AND DRILL THE HOLES (SUGGESTED HOLE DIAMETER AND DEPTH ARE Ø8X45mm) FOR ANCHORS (ANCHORS, SCREWS AND WASHERS A4 MARINE GRADE ARE SUPPLIED BY MANUFACTURER)
- INSERT THE ANCHORS IN THE HOLES
- FASTEN THE HOLDER USING THE WASHER AND SCREW (DIN 571 M6x60mm A4/MARINE GRADE, FASTEN WITH WRENCH 10mm (3/8"), FASTENING TOOL IS NOT SUPPLIED BY THE MANUFACTURER)
- TILT THE HEMERA HECTO FIXTURE IN THE DESIRED ANGLE
- APPLY THE HOLDER CAP (STEP 6.A), FASTEN THE SCREW (ISO 14583 M4X30mm A4/MARINE GRADE, FASTEN WITH HEXALOBUAR T20 TOOL, FASTENING TOOL NOT SUPPLIED BY THE MANUFACTURER) TO SECURE THE FIXTURE AT THE SPECIFIED ANGLE (STEP 6B)
- CONNECT THE SUPPLY CABLE TO THE FIXTURE (MAKE SURE THE CONNECTORS MAKE A "CLICK" SOUND UPON CONNECTING)
- (STEP 8.A) PUT THE ENDCAP ON THE LAST HEMERA HECTO FIXTURE'S CONNECTOR TO SECURE IP PROTECTION (STEP 8B) PUT THE DMX TERMINATOR CAP ON THE LAST HEMERA HECTO FIXTURE'S CONNECTOR TO SECURE IP PROTECTION (REQUIRED FOR ALL RUNS UNDER DMX CONTROL)

NOTE:

- THE MINIMUM DISTANCE BETWEEN FIXTURES IN THE END TO END APPLICATION IS 5 MM (0.2") (DETAIL "B")

