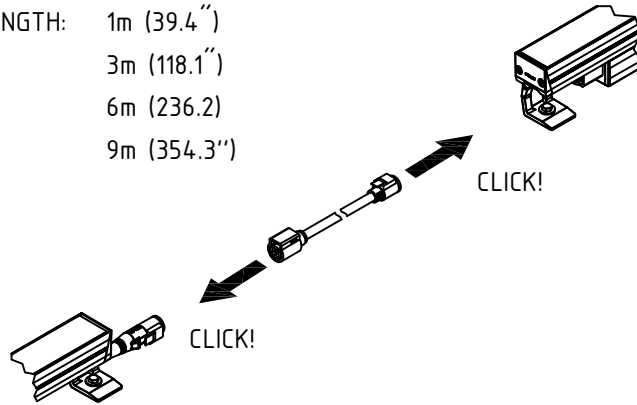


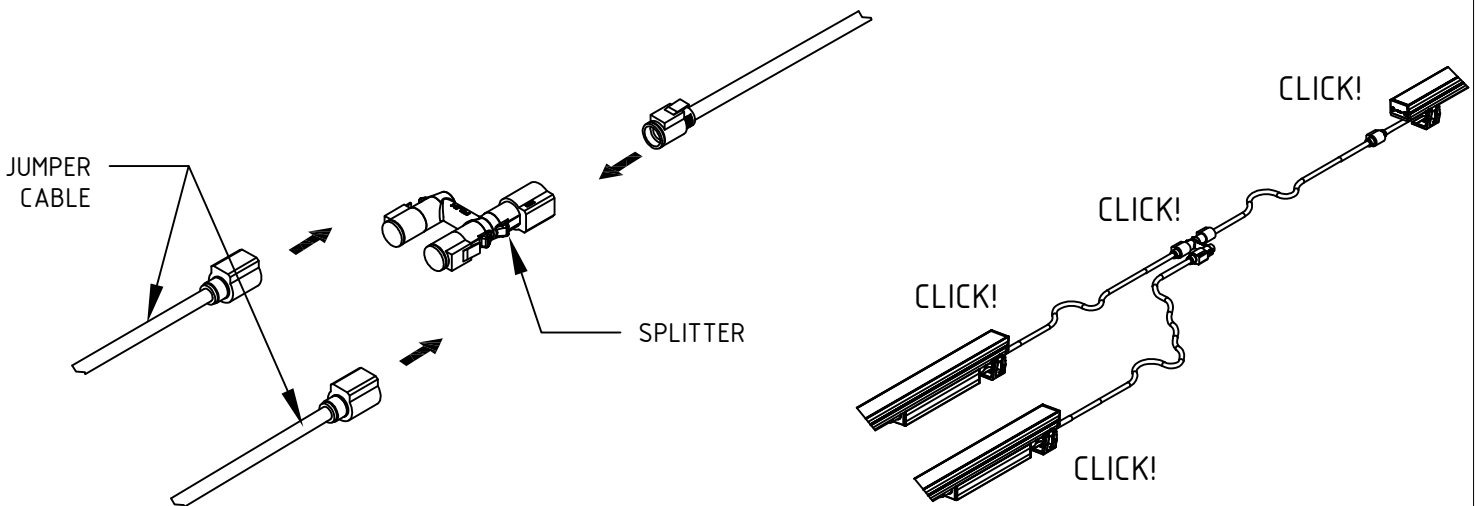
## JUMPER CABLE

- MAKE SURE THE CONNECTORS MAKE A "CLICK" SOUND UPON CONNECTING FOR IP68 PROTECTION. WRONG CONNECTION NOT POSSIBLE DUE TO "POKA-YOKE" PRINCIPLE
- STANDARD JUMPER CABLE LENGTH: 1m (39.4")  
3m (118.1")  
6m (236.2)  
9m (354.3")



## DATA SPLITTER, POWER & DATA SPLITTER, POWER SPLITTER

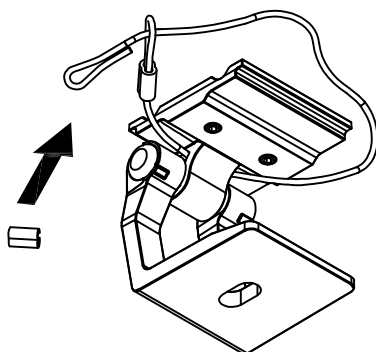
- PLUG THE FIXTURE CONNECTOR OR JUMPER CABLES INTO THE SPLITTER. WHEN CONNECTED, "CLICK" SOUND SHOULD BE HEARD FOR IP68 PROTECTION. WRONG CONNECTION NOT POSSIBLE DUE TO "POKA-YOKE" PRINCIPLE



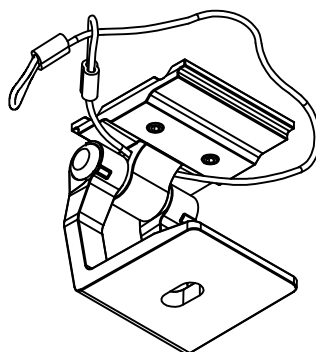
## SAFETY LEASH

- PULL THE WIRE END THROUGH THE HOLE IN THE HOLDER AND THROUGH LOOP FORMING AN OTHER END LOOP (DETAIL "A").
- TIGHT THE CLIP WITH THE PLIERS AND MAKE SURE THE LOOP IS STRONG (DETAIL "B")
- RECOMMENDED INSTALLATION FOR CONCRETE SURFACE: DRILL A HOLE AND SECURE THE SAFETY LEASHE (DETAIL "C") (THE ANCHOR, WASHER AND SCREW ARE NOT SUPPLIED BY THE MANUFACTURER)

DETAIL "A"



DETAIL "B"



DETAIL "C"

