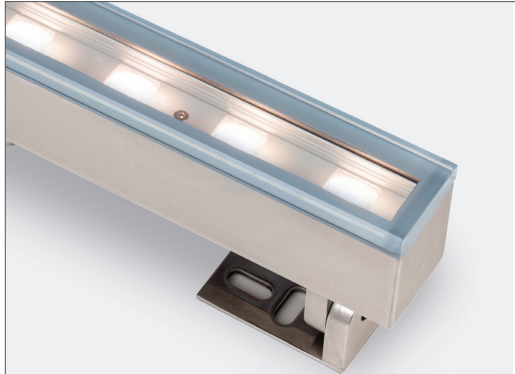


Arpool Linear Surface

Specification Sheet



Ordering Information

Model	Length	Power	Color Temp.	Optics	Voltage	Options
ALS	320 620	L	30 40 RGBW	SP FL GR GR20 GRW	12 24	C* C6 C9 C20
		H	30 40			



UL STD 676 swimming pool rated
CSA C22.2#89 swimming pool rated
IP68

LUMINAIRE FEATURES

Design and Application

- Installation depth max. up to 5m (16')
- Max tile thickness 25mm (1")
- Trim flange overlap 10mm (0,4")
- DMX, DALI, 0-10V compatible (remote)
- Wall and floor installation
- Infinity pools and swimming pool complexes
- Fountains and water features

Performance

- IK10, Tempered glass, crystal clear
- Chlorine and saline environment
- Stainless Steel type 316L, marine grade
- Galvanic current protection
- Thermal fold back technology
- Lifetime TM-21 @85C L80(14k)=81600h
- Supplied with oil and water resistant 3m (10') feed cable as standard
- Operating temperature from -25°C (-13°F) to 40°C (104°F)*-25°C (-13°F) in conditions without water
- CRI: > 85
- 3 Step MacAdam

Safety

- Remote power supply
- Low voltage operation
- Recessed installation

Sustainability

- Recyclable material

ORDERING INFORMATION

Application/Dimensions

- 320mm (14")
- 620mm (26")

Power - delivered lumen output

- L - 39W/m 3000/4000K, 2652lm
- H - 63W/m 3000/4000K, 4383lm
- H - 47W/m RGBW

Color Temperature

- 30 - 3000K
- 40 - 4000K
- RGBW (W - 4000K)

Optics

- SP - Spot - 17°
- FL - Flood - 31°
- GR - Graze - 14° x 40°
- GR20 - 14° x 40°/tilt 20°
- GRW - Graze - 10° x 60°

Voltage

- 12 - 12VDC fixture voltage
- 24 - 24VDC fixture voltage

Options

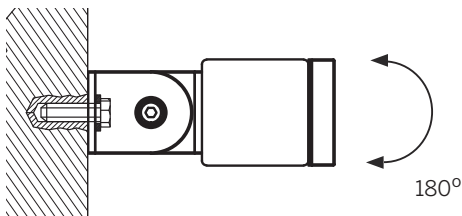
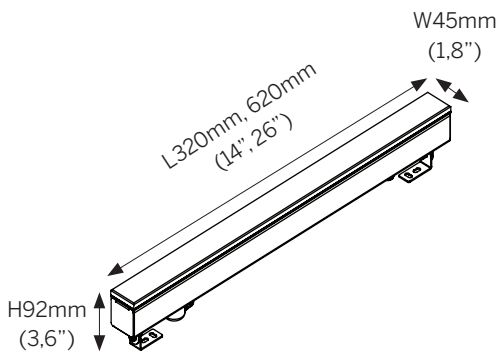
- C - standard feed cable 3m (10')
- C6 - luminaire supplied with 6m (20') feed cable
- C9 - luminaire supplied with 9m (30') feed cable
- C20 - luminaire supplied with 20m (65') feed cable

Accessories

- 202135 -Adjustable waterproof wall duct (17mm-25mm)

POWER SUPPLIES

List of proposed power supplies that are to be ordered separately. Please click [link](#) for list of available drivers. Click [here](#) for voltage drop and distances.



International: +385 52 255 324 filixlighting.com
info@filixlighting.com
 Europe/GmbH: info@filixlighting.com
 Europe MENA: info@filixlighting.com
 North America: filixlighting-usa.com info@filixlighting.com

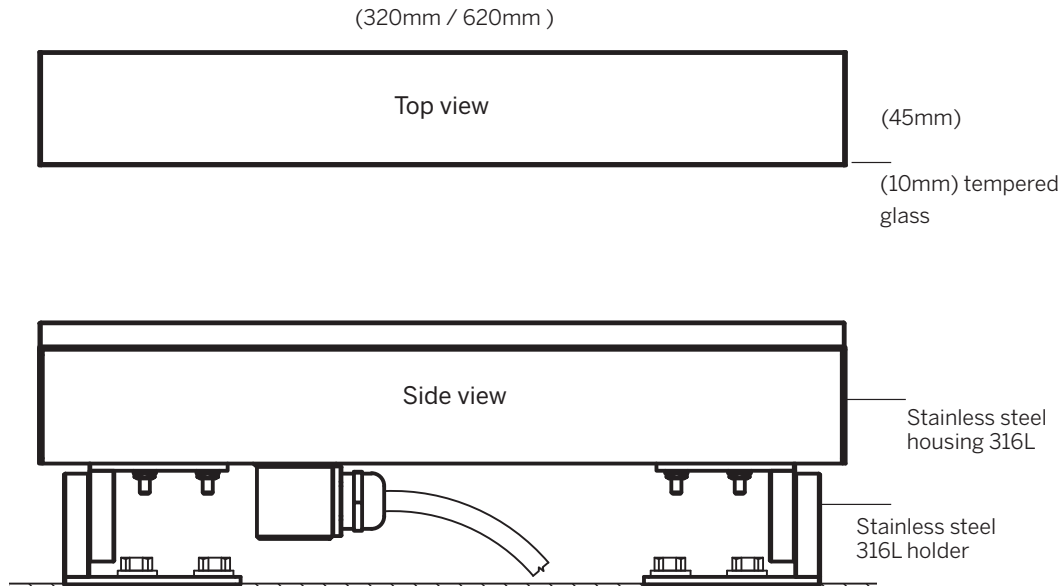
Filix reserves the right to make technical changes without notice.

Arpool Linear Surface

Dimensions

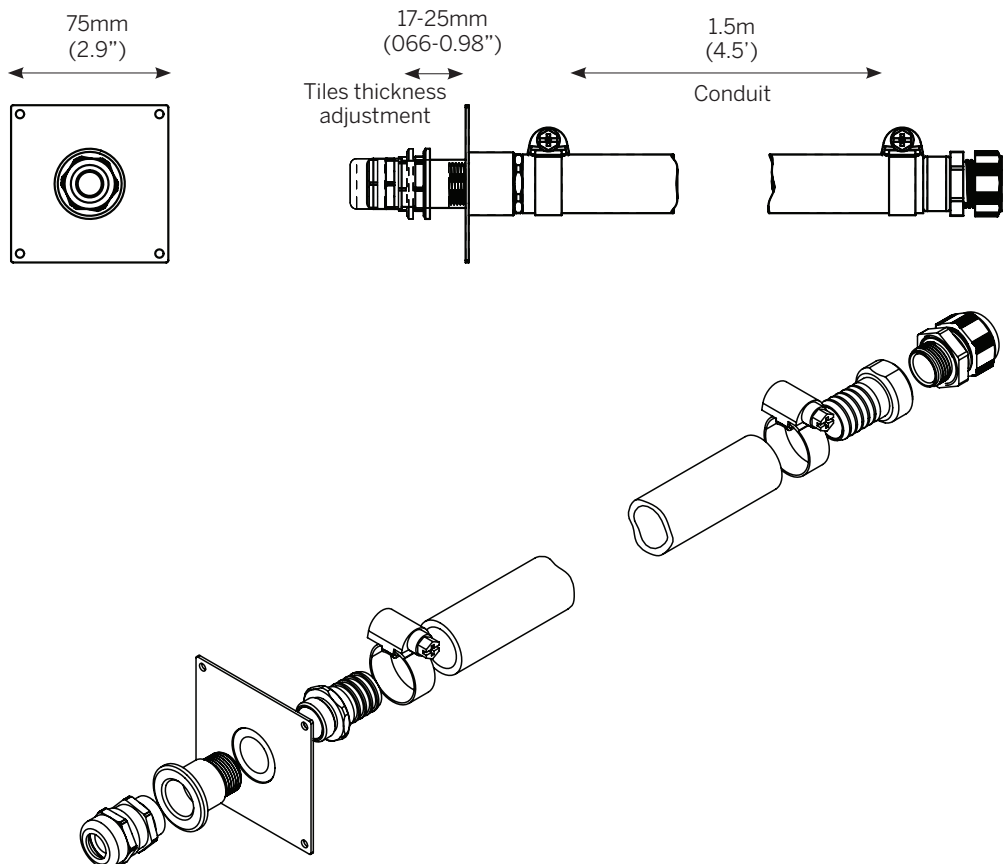
FILIX

Fixture



Installation Details

Waterproof wall duct - 202135



International: +385 52 255 324 [filixlighting.com](mailto:info@filixlighting.com)
info@filixlighting.com
Europe/GmbH: info@filixlighting.com
Europe MENA: info@filixlighting.com
North America: filixlighting-usa.com info@filixlighting.com

Filix reserves the right to make technical changes without notice.

FILIX