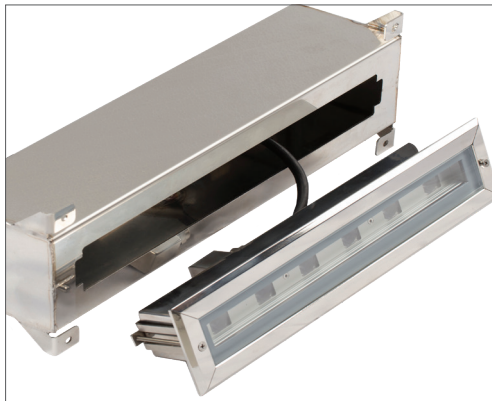


Arpool Linear Recessed

Specification Sheet



Ordering Information

Model	Length	Power	Color Temp.	Optics	Voltage	Options
ALR	360 660	L H	30 40 RGBW 30 40	SP FL GR GR2 GRW	12 24	C C6 C9



Application

- Open water environments and waterfronts
- Fountains and water features
- Infinity pools and swimming pool complexes
- Floor and wall installation
- Continuous linear illumination
- Installation depth up to 5m (16')
- Max tile thickness 25mm (1")
- Chlorine and saline environment
- Recommended installation depth 0.3m-0.6m (1' - 2')
- DMX, DALI, 1-10V compatible
- Outside water operation allowed ONLY -LOW POWER
- Suitable for concrete and stainless steel pool

Luminaire

- UL STD 676, submersible (only), IP68
- Body construction SS316L marine grade
- Lifetime TM-21 @85°C L80(14K)=82000h
- Thermal fold back technology
- Installation housing, SS316L marine grade construction, direct concrete pour
- Supplied with oil and water resistant 3m (10') feed cable standard, single color 2x0,82mm(18AWG)/2x0,82mm(18AWG), RGBW 5x1mm
- IK10

Length

- 360mm (14")
- 660mm (26")

Power (delivered lumen output)

360mm

- L - 12W 3000K - 4000K, 1164lm
- H - 20W 3000K - 4000K, 1940lm
- L - 15W, RGBW
R 76lm, G 165lm, B 56lm, W 165lm

660mm

- L - 24W 3000K - 4000K, 2330lm
- H - 40W 3000K - 4000K, 3883lm
- L - 30W RGBW
R 132lm, G 330lm, B 112lm, W 330lm

Power Supply

Power supply On/Off - 12V

- 101052 - OT30 12V P
- 101053 - OT60 12V P
- 100879 - OT120 12V P

Power supply with integrated controls - 12V

- 102345 - ELDOLED Linear Drive 100S (DXM,DALI+PS)

Controls - 12V

- 102788 - OT DMX RGBW DIM 12/24V - 89W
- 101047 - OTI DALI DIM 60W 1CH
- 101046 - OT DIM 60W (1-10V)

Color Temperature

- 30 - 3000K
- 40 - 4000K
- RGBW Single chip
- 2 Step MacAdam
- CRI: > 85

Optics

- SP - Spot - 17°
- FL - Flood - 31°
- GR - Graze - 14° x 40°
- GR2 - 14° x 40°/tilt 20°
- GRW - Graze - 10° x 60°

Voltage

- 12 - 12Vdc fixture voltage
- 24 - 24Vdc fixture voltage

Options

- C - standard feed cable 3m (10')
- C6 - luminaire supplied with 6m (20') feed cable
- C9 - luminaire supplied with 9m (30') feed cable

Installation housing order code

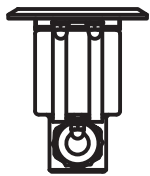
- AR413 - 360mm (14")
- AR415 - 660mm (26")

Accessories

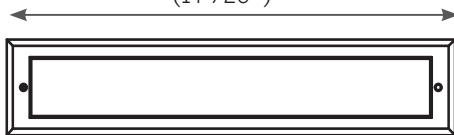
- 200253 - Cable gland set for pipe (IP68 gland+tube adapter)

Trim (TM)

85mm
(3.3")



358/658mm
(14"/26")



20mm
(0.78")

International: +385 52 255 324

info@filixlighting.com

Europe/GmbH: info@filixlighting.com

Europe MENA: info@filixlighting.com

North America: filixlighting.com info@filixlighting.com

Filix reserves the right to make technical changes without notice.

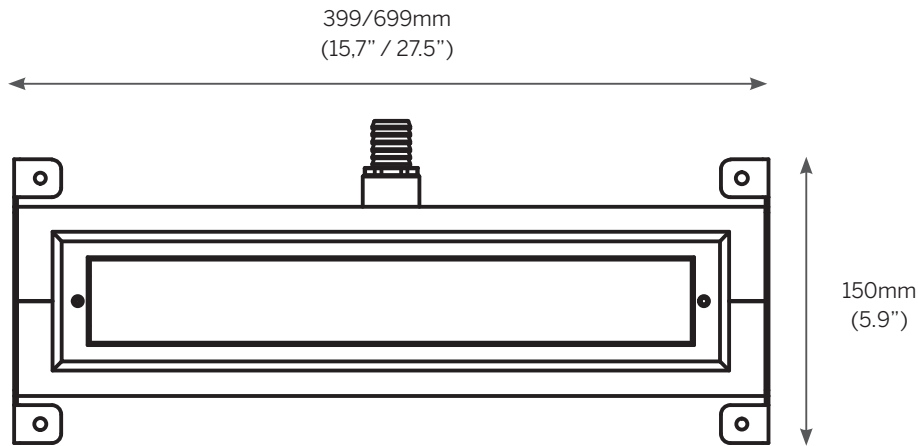
Click [here](#) for voltage drop and distances.

Arpool Linear *Recessed*

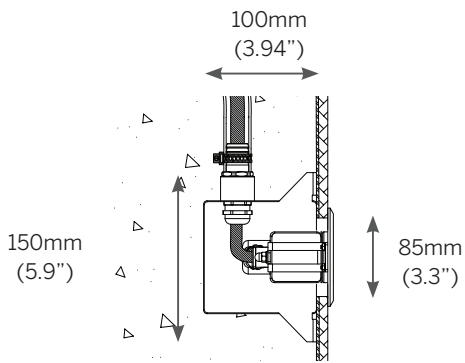
Dimensions



Front view with installation housing AR413/AR415



Installation



Cable conduit - standard 1.5m (5')

