

# Arpool XM Projector

Specification Sheet



## Ordering Information

Model	Power	Color Temp.	Optics	Voltage	Options
AXMP	L	30 40 RGBW	SP FL W SE	12 24	C C6 C9 C20



## LUMINAIRE FEATURES

### Design and Application

- Installation depth max. up to 5m (16')
- Glare reduction accessory - snoot
- DMX, DALI, 0-10V compatible (remote)
- Surface mount (floor/wall) installation
- Underwater architectural lighting
- Fountains and water features

### Performance

- IK10, Tempered glass, crystal clear
- Chlorine and saline environment
- Stainless Steel type 316L, marine grade
- Galvanic current protection
- Thermal fold back technology
- Lifetime TM-21 @85C L80(10K)=60500h
- Supplied with oil and water resistant 3m (10') feed cable as standard
- Operating temperature from -25°C (-13°F) to 40°C (104°F)\*-25°C (-13°F) in conditions without water
- CRI: > 85
- 3 Step MacAdam

### Safety

- Remote power supply
- Low voltage operation

### Sustainability

- Recyclable material

## ORDERING INFORMATION

### Application/Dimensions

- AXMP - H-137mm x Ø104mm x L-96mm (H-4,5" x Ø4,1" x L-4")
- AXMPS - H-137mm x Ø104mm x L-133mm (H4,5" x Ø44,1" x L-5,2")

### Power - Delivered lumens

- L - 21W, 3000/4000K, 1700 lm
- L - 21W, RGBW (W 4000K)

### Color Temperature

- 30 - 3000K
- 40 - 4000K
- RGBW (W 4000K)

### Optics

- SP - Spot - 15°
- FL - Flood - 40°
- W - Wide - 70°
- SE - Elliptical - 20° x 120°

### Voltage

- 12 - 12VDC fixture voltage
- 24 - 24VDC fixture voltage

### Options

- C - standard feed cable 3m (10')
- C6 - luminaire supplied with 6m (20') feed cable
- C9 - luminaire supplied with 9m (30') feed cable
- C20 - luminaire supplied with 20m (65') feed cable

### Accessories

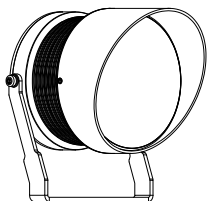
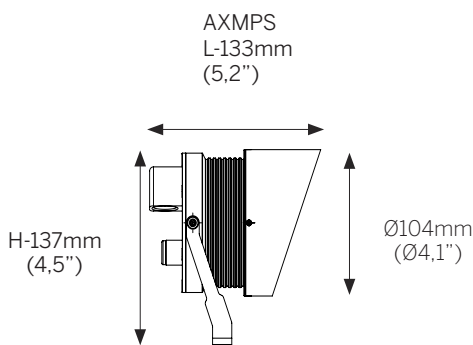
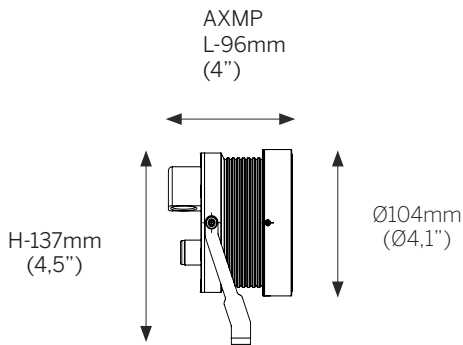
- AXMPS - Projector Snoot
- 202135 - Adjustable waterproof wall duct 17mm-25mm (0,66" - 0,98")

### POWER SUPPLIES

List of proposed power supplies that are to be ordered separately. Please click [link](#) for list of available drivers

Click [here](#) for voltage drop and distances.

**UL STD 676** swimming pool rated  
**CSA C22.2#89** swimming pool rated  
**IP68**



International: +385 52 255 324 filixlighting.com  
 Europe/GmbH: info@filixlighting.com  
 Europe MENA: info@filixlighting.com  
 North America: filixlighting-usa.com info@filixlighting.com

Filix reserves the right to make technical changes without notice.

# Arpool XM Projector

Dimensions

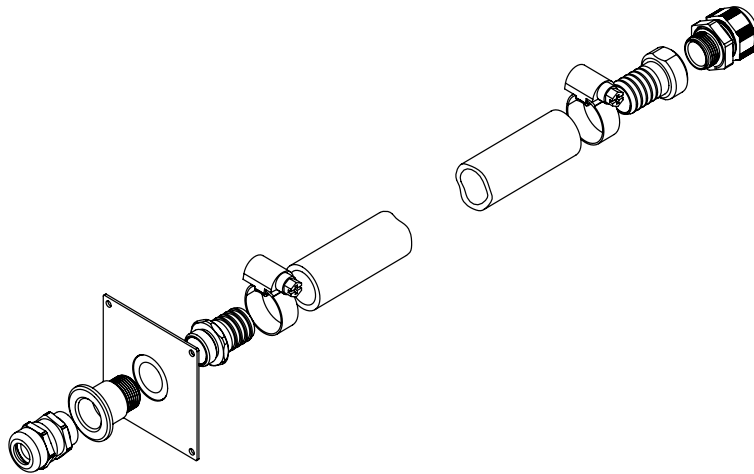
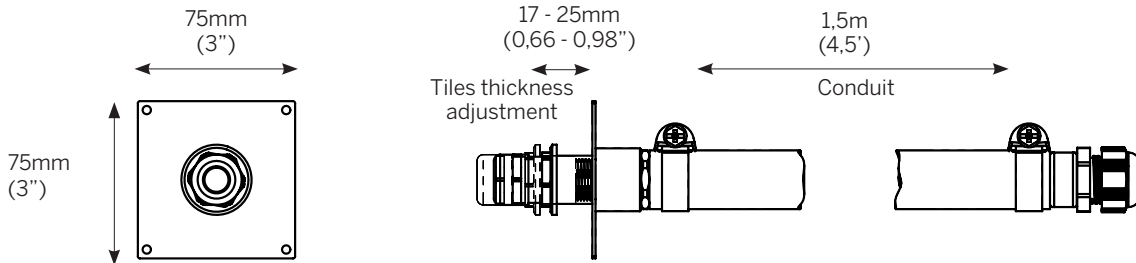


Note:

For details on specific depths, tiling thickness and other please refer to both Installation instructions for fixture and housing.

## Waterproof wall duct - 202135

Installation details



International: +385 52 255 324 [filixlighting.com](http://filixlighting.com)  
Europe/GmbH: [info@filixlighting.com](mailto:info@filixlighting.com)  
Europe MENA: [info@filixlighting.com](mailto:info@filixlighting.com)  
North America: [filixlighting-usa.com](http://filixlighting-usa.com) [info@filixlighting.com](mailto:info@filixlighting.com)

Filix reserves the right to make technical changes without notice.