

Arpool STYLE

Specification Sheet



Ordering Information

Model	Length	Power	Color Temp.	Optics	Voltage	Options
AY	360 660	H	30 40 RGBW	GR	12 24	C C6 C9



Application

- Luxury leisure centers
- Spa areas* (up to 60°C (140°F))
- Fountains and water features
- Water walls
- Infinity pools and swimming pool complexes
- Floor and wall installation
- Installation depth up to 5m (16')
- Max tile thickness 25mm (1")
- Chlorine and saline environment
- Recommended installation depth 0.3m-0.6m (1'-2')
- DMX, DALI, 1-10V compatible
- Outside water operation not allowed
- Suitable for concrete and stainless steel pool

Luminaire

- Corrosion protection category resistance C4-severe, ISO 9227
- UL STD 676, submersible (only), IP68
- Body construction SS316L marine grade
- Black finish
- Lifetime TM-21 @85°C L90(9K)=75000h
- Thermal fold back technology
- Installation housing, SS316L marine grade construction, direct concrete pour
- Supplied with oil and water resistant 3m (10') feed cable standard, single color 2x0,82mm(18AWG), RGBW 5x0,82mm(18AWG)
- IK10

Color Temperature

- 30 - 3000K
- 40 - 4000K
- RGBW
- 2 Step MacAdam
- CRI: > 85

Optics

- GR - Graze - 10° x 50°

Voltage

- 12 - 12Vdc fixture voltage
- 24 - 24Vdc fixture voltage

Options

- C - standard feed cable 3m (10')
- C6 - luminaire supplied with 6m (20') feed cable
- C9 - luminaire supplied with 9m (30') feed cable

Installation housing order code

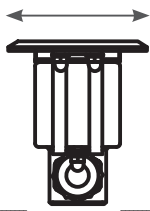
- AR413 - **360mm (14")**
- AR415 - **660mm (26")**

Accessories

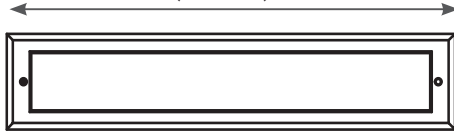
- 200253 - Cable gland set for pipe (IP68 gland+tube adapter)

Trim (TM)

85mm
(3.3")



358/658mm
(14"/26")



20mm
(0.78")

Length

- 360mm (14")
- 660mm (26")

Power (delivered lumen output)

360mm

- H - 20W 3000K - 4000K, 600lm
- H - 16W, RGBW
R 22lm, G 39lm, B 11lm, W 353lm

660mm

- H - 40W 3000K - 4000K, 1200lm
- H - 34W RGBW
R 44lm, G 78lm, B 22lm, W 706lm

Power Supply

Power supply On/Off - 12V

- 101052 - OT30 12V P
- 101053 - OT60 12V P
- 100879 - OT120 12V P

Power supply with integrated controls - 12V

- 102345 - ELDOLED Linear Drive 100S (DXM,DALI+PS)

Controls - 12V

- 102788 - OT DMX RGBW DIM 12/24V - 89W
- 101047 - OTI DALI DIM 60W 1CH
- 101046 - OT DIM 60W (1-10V)

Power supply On/Off - 24V

- 103233 - OT60 24V P
- 103196 - OT130 24V P
- 103234 - OT250 24V P

Power supply with integrated controls - 24V

- 102345 - ELDOLED Linear Drive 100S (DXM,DALI+PS)

Controls - 24V

- 102788 - OT DMX RGBW DIM 12/24V - 183W
- 101047 - OTI DALI DIM 120W 1CH
- 101046 - OT DIM 60W (1-10V)

International: +385 52 255 324

info@filixlighting.com

Europe/GmbH: info@filixlighting.com

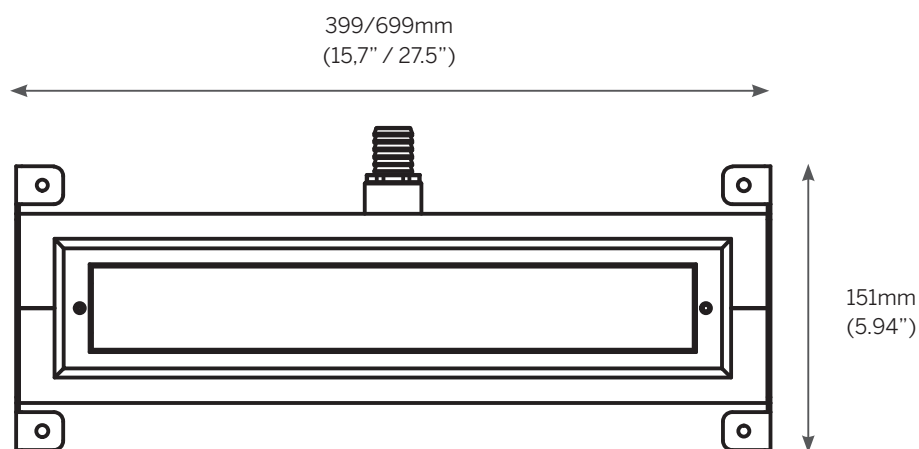
Europe MENA: info@filixlighting.com

North America: filixlighting.com info@filixlighting.com

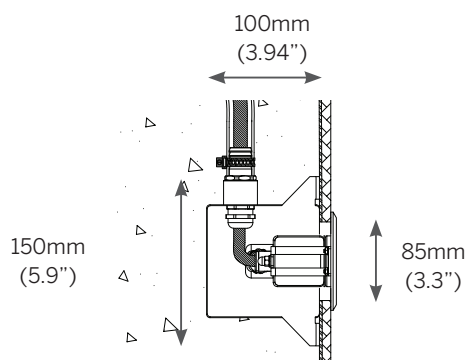
Filix reserves the right to make technical changes without notice.

Click [here](#) for voltage drop and distances.

Front view with installation housing AR413/AR415



Installation



Cable conduit - standard 1.5m (5')

