

Arpool S Projector

Specification Sheet

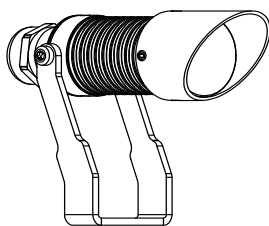
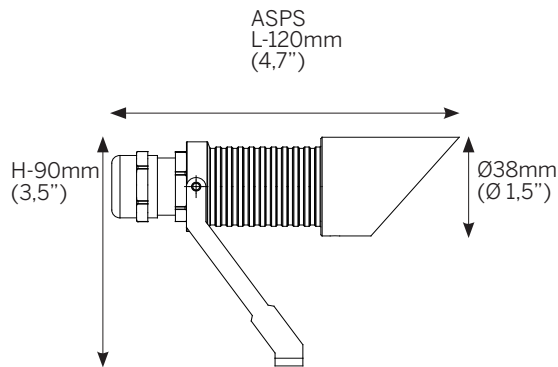
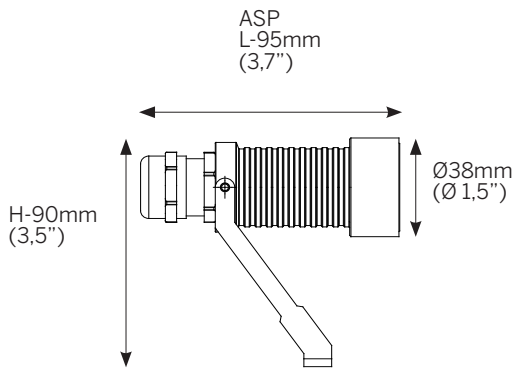


Ordering Information

Model	Power	Color Temp.	Optics	Voltage	Options
ASP	L	30 40	SP FL W	12 24	C C6 C9 C20
	H	30 40 RGBW			



UL STD 676 swimming pool rated
CSA C22.2#89 swimming pool rated
IP68



LUMINAIRE FEATURES

Design and Application

- Installation depth max. up to 5m (16')
- Glare reduction accessory - snoot
- DMX, DALI, 0-10V compatible (remote)
- Surface mount (floor/wall) installation
- Underwater architectural / landscape lighting
- Fountains and water features

Performance

- IK10, Tempered glass, crystal clear
- Chlorine and saline environment
- Stainless Steel type 316L, marine grade
- Galvanic current protection
- Thermal fold back technology
- Lifetime TM-21 @85C L80(10K)=60500h
- Supplied with oil and water resistant 3m (10') feed cable as standard
- Operating temperature from -25°C (-13°F) to 40°C (104°F)*-25°C (-13°F) in conditions without water
- CRI: > 85
- 3 Step MacAdam

Safety

- Remote power supply
- Low voltage operation

Sustainability

- Recyclable material

ORDERING INFORMATION

Application/Dimensions

- ASP - 90mm x Ø38mm x 95mm (3,5" x Ø1,5" x 3,7")
- ASPS - 90mm x Ø38mm x 120mm (3,5" x Ø1,5" x 4,7")

Power - Delivered lumens

- L - 3W, 3000/4000K, 250lm
- H - 6W, 3000/4000K, 450lm
- L - 6W, RGBW (W 4000K)

Color Temperature

- 30 - 3000K
- 40 - 4000K
- RGBW (W 4000K)

Optics

- SP - Spot - 15°
- FL - Flood - 40°
- W - Wide - 70°

Voltage

- 12 - 12VDC fixture voltage
- 24 - 24VDC fixture voltage

Options

- C - standard feed cable 3m (10')
- C6 - luminaire supplied with 6m (20') feed cable
- C9 - luminaire supplied with 9m (30') feed cable
- C20 - luminaire supplied with 20m (65') feed cable

Accessories

- ASPS - Projector Snoot
- 202135 - Adjustable waterproof wall duct 17mm-25mm (0,66"-0,98")

POWER SUPPLIES

List of proposed power supplies that are to be ordered separately. Please click [link](#) for list of available drivers

Click [here](#) for voltage drop and distances.

International: +385 52 255 324 [filixlighting.com](mailto:info@filixlighting.com)
info@filixlighting.com
 Europe/GmbH: info@filixlighting.com
 Europe MENA: info@filixlighting.com
 North America: [filixlighting-usa.com](mailto:info@filixlighting.com) info@filixlighting.com

Arpool S Projector

Dimensions

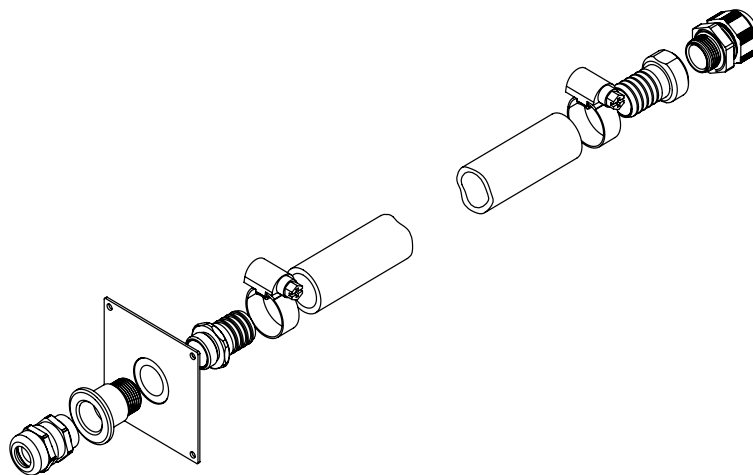
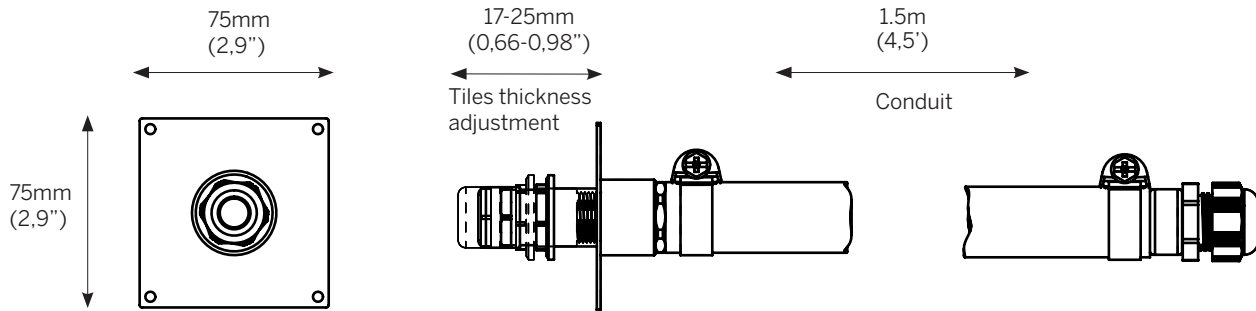
FILIX

Note:

For details on specific depths, tiling thickness and other please refer to both Installation instructions for fixture and housing.

Waterproof wall duct - 202135

Installation details



International: +385 52 255 324 filixlighting.com

info@filixlighting.com

Europe/GmbH: info@filixlighting.com

Europe MENA: info@filixlighting.com

North America: filixlighting-usa.com info@filixlighting.com

Filix reserves the right to make technical changes without notice.

FILIX