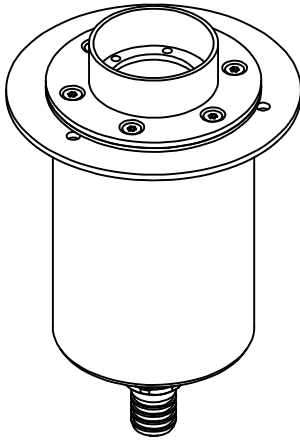


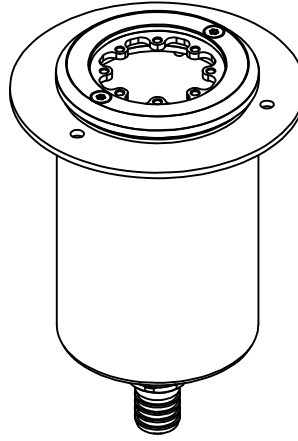
ARPOOL S

INSTALLATION INSTRUCTIONS (HOUSING)

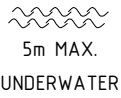
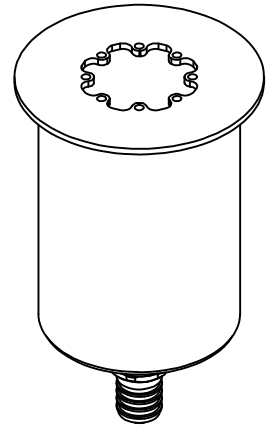
TRIM



LINER



WELDMENT



IP68

AISI316L



ALL DIMENSIONS ARE GIVEN ACCORDING TO THE SI SYSTEM OF UNITS (MM, KG, °C), ADDITIONAL DIMENSIONS THAT ARE WRITTEN IN BRACKETS, ARE GIVEN ACCORDING TO THE U.S. MEASUREMENT SYSTEM (IN, LBS, °F)

GENERAL REMARKS ON SAFETY

- READ ALL OF THESE INSTRUCTIONS BEFORE INSTALLING THE HOUSING.
- KEEP ALL OF THE INSTRUCTIONS FOR FUTURE REFERENCE.
- INSTALLATION IS TO BE PERFORMED BY A QUALIFIED CONTRACTOR.
- ALL INSTALLATIONS ARE TO CONFORM TO THE STANDARDS OF THE NATIONAL ELECTRICAL CODE AS WELL AS ALL LOCAL JURISDICTIONAL CODES AND REGULATIONS.
- THE MANUFACTURER ACCEPTS NO RESPONSIBILITY FOR DAMAGE TO PERSONS OR PROPERTY ARISING THROUGH IMPROPER USE OR INSTALLATION.
- HOUSINGS' SURFACES EXPOSED TO THE EFFECTS OF WATER (INCLUDING WATER CONTAINING CHLORINE) ARE MADE OUT OF AISI316L STAINLESS STEEL. AISI316L IS SUITABLE FOR THIS USE AND WILL PREVENT CORROSION UP TO LEVEL OF 1000 PPM OF CHLORINE IN WATER AND UP TO WATER pH LEVEL OF 7.

WARRANTY

ALL PRODUCTS ARE FACTORY TESTED AND ARE GUARANTEED FREE FROM FACTORY DEFECT FOR A PERIOD OF 36 MONTHS UNDER FOLLOWING TERMS:

- PRODUCT HAS NOT BEEN SUBJECT TO INCORRECT VOLTAGE OR POLARITY CONNECTION.
- PRODUCT HAS NOT BEEN SUBJECT TO PHYSICAL OR ATMOSPHERIC DAMAGE.
- PRODUCT HAS BEEN RETURNED AND FACTORY EVALUATED FOR DEFECT OR MALFUNCTION.
- ALL DRIVERS AND CONTROLLERS ARE APPROVED FOR USE BY FILIX.
- THE HOUSING FACTORY SEAL (IP RATING) HAS NOT BEEN COMPROMISED

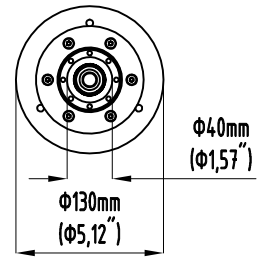
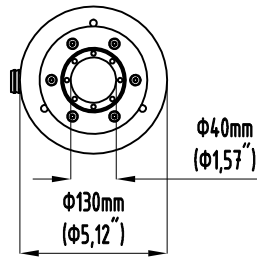
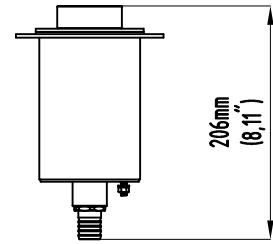
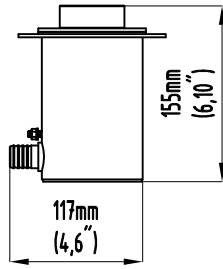
THE MANUFACTURER ACCEPTS NO RESPONSIBILITY FOR DAMAGE TO PERSONS OR PROPERTY ARISING THROUGH IMPROPER USE OR INSTALLATION. ANY MODIFICATION OF THE HOUSING WILL VOID ANY AND ALL WRITTEN OR IMPLIED WARRANTIES.

STANDARD REPLACEMENT AND NORMAL SERVICING TERMS.

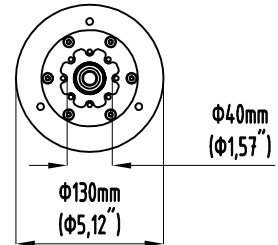
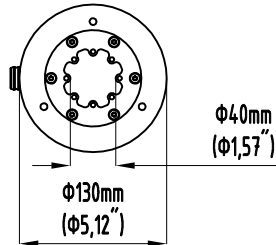
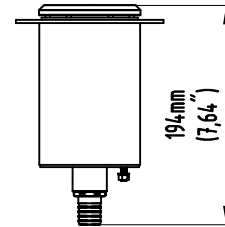
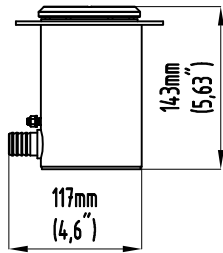
ALL ELECTRONIC AND OTHER CONSUMABLE COMPONENTS ARE SUBJECT OF EXCHANGE AFTER 36 MONTHS OF OPERATIONS. PRODUCT PERFORMANCE DEPENDS OF CRITICAL ELECTRONIC AND OTHER COMPONENTS WHICH CAN BE SERVICED WITH OFFICIAL DEALER OR DIRECTLY WITH THE MANUFACTURER. MANUFACTURER HOLDS THE RIGHT TO REPAIR AND CHANGE COMPONENTS AS PER CURRENT COMPONENT AVAILABILITY. MANUFACTURER CANNOT BE HELD LIABLE FOR COMPONENTS AND OTHER EXPENSES (DE-INSTALLATION, INSTALLATION, SHIPPING, ETC.) INCURRED DURING THE PROCESS OF PRODUCT IMPROVEMENT AND SERVICING.

HOUSING DIMENSIONS

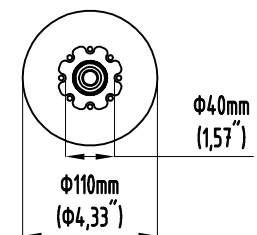
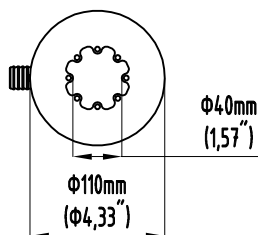
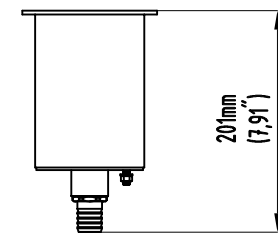
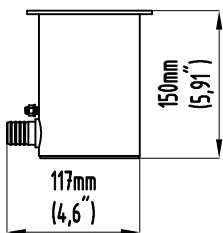
TRIM HOUSING



LINER HOUSING



WELDMENT HOUSING



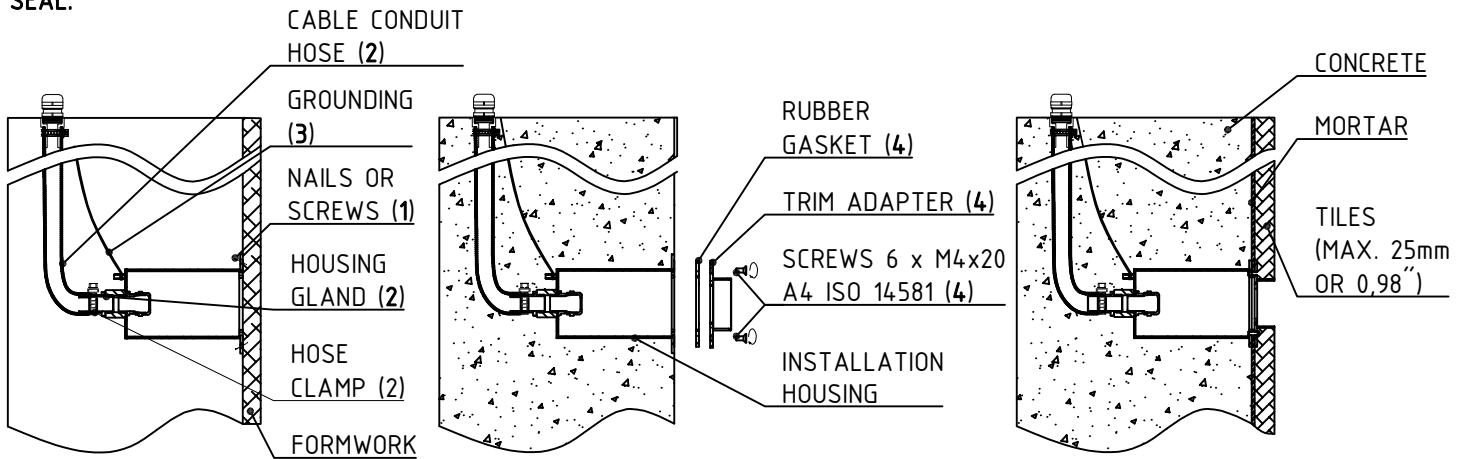
TRIM HOUSING

1. ATTACH THE ARPOOL INSTALLATION HOUSING TO THE FORMWORK WITH SCREWS (A4/MARINE GRADE) OR NAILS (A4/MARINE GRADE) (SCREWS OR NAILS NOT SUPPLIED BY MANUFACTURER)
2. ATTACH CABLE CONDUIT HOSE TO HOUSING GLAND WITH HOSE CLAMP
3. GROUND THE HOUSING (GROUNDING WIRE NOT SUPPLIED BY MANUFACTURER).
4. WHEN FORMWORK IS REMOVED PLACE RUBBER GASKET AND TRIM ADAPTER ON THE INSTALLATION HOUSING. ONCE PLACED FASTEN WITH SCREWS (SCREWS SUPPLIED BY MANUFACTURER M4X20 A4 / MARINE GRADE).
6. PUT MORTAR AND TILES

IMPORTANT SUGGESTION:

USE DRILLING TEMPLATE FROM THE MANUAL. TEMPLATE WILL ENSURE PROPER INSTALLATION HOUSING POSITIONING WITH FIXTURE INSTALLATION HOLES AT 12 AND 6 O'CLOCK.

IT IS ADVISED THAT THE THICKNESS OF TILE+MORTAR EQUALS THE THICKNESS OF TRIM ADAPTER AND RUBBER SEAL.

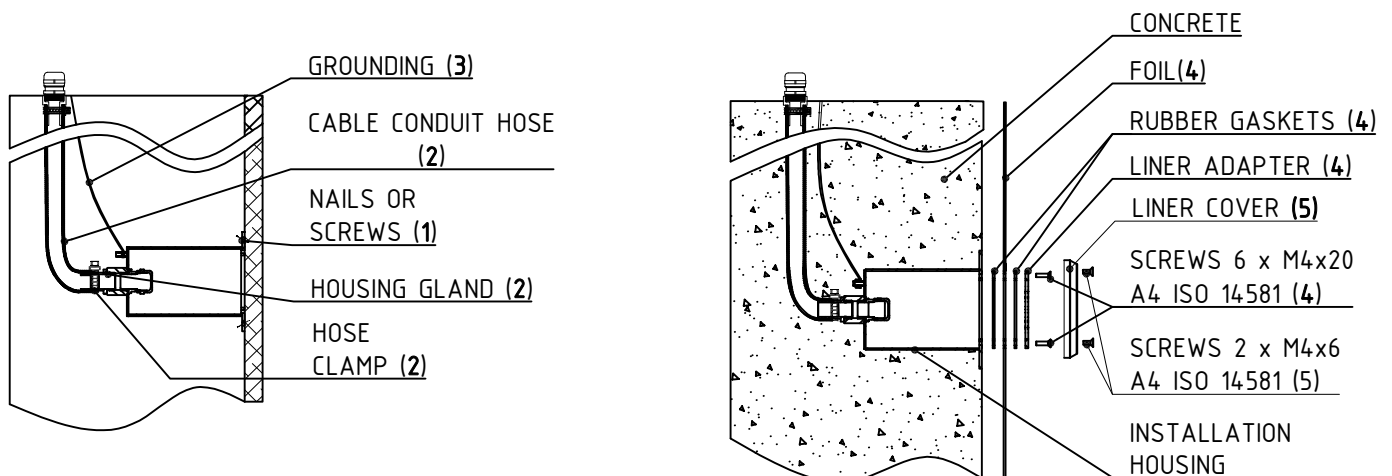


LINER HOUSING

1. ATTACH THE ARPOOL INSTALLATION HOUSING TO THE FORMWORK WITH SCREWS (A4/MARINE GRADE) OR NAILS (A4/MARINE GRADE) (SCREWS OR NAILS NOT SUPPLIED BY MANUFACTURER)
2. ATTACH CABLE CONDUIT HOSE TO HOUSING GLAND WITH HOSE CLAMP
3. GROUND THE HOUSING (GROUNDING WIRE NOT SUPPLIED BY MANUFACTURER)
4. WHEN FORMWORK IS REMOVED PLACE FIRST RUBBER GASKET AND USE DRILLING TEMPLATE FROM THE MANUAL FOR CUT LINER, THEN PLACE SECOND RUBBER GASKET AND LINER ADAPTER. ONCE PLACED FASTEN WITH SCREWS (SCREWS SUPPLIED BY MANUFACTURER M4X20 A4 / MARINE GRADE)
5. FASTEN SCREWS TO FIX FIXTURE LINER COVER ON TOP OF LINER ADAPTER (SCREWS SUPPLIED BY MANUFACTURER M4X6 A4 / MARINE GRADE)

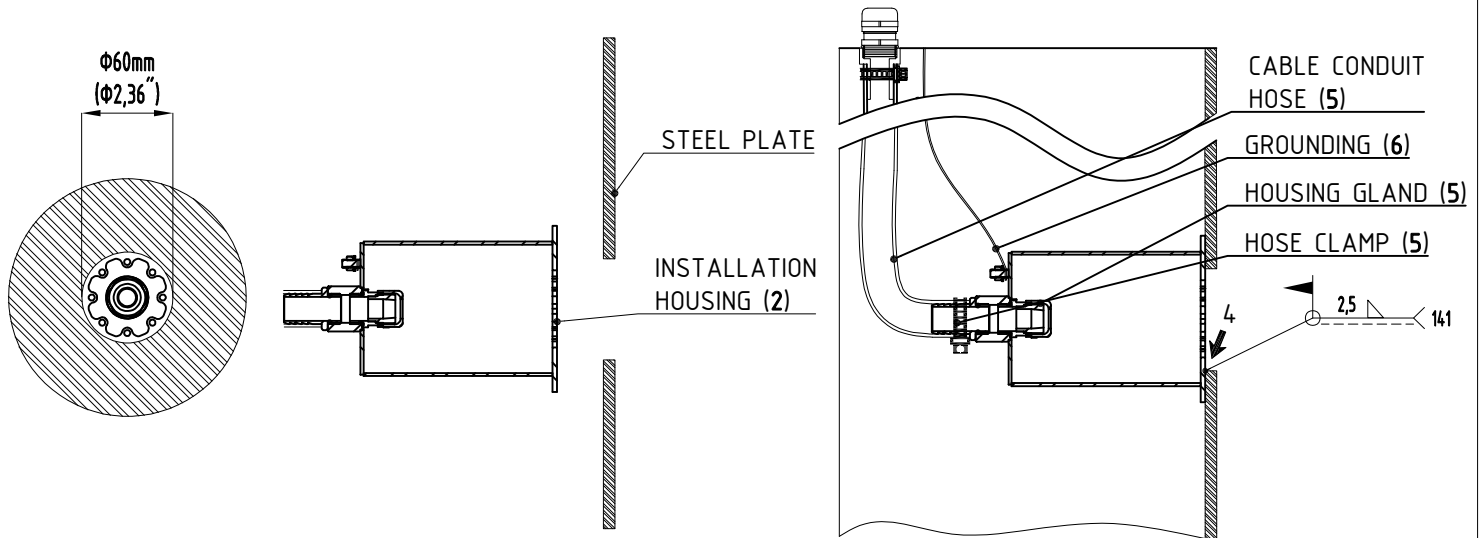
IMPORTANT SUGGESTION:

USE DRILLING TEMPLATE FROM THE MANUAL. TEMPLATE WILL ENSURE PROPER INSTALLATION HOUSING POSITIONING WITH FIXTURE INSTALLATION HOLES AT 12 AND 6 O'CLOCK



WELDMENT HOUSING

1. CUT STEEL SHEET ($\Phi 60\text{mm}$ OR $\Phi 2,36''$) FOR HOUSING MOUNT AS PER DETAIL BELOW
2. PLACE THE HOUSING BEHIND THE STEEL SHEETING
3. FIX THE HOUSING TO THE STEEL SHEETING
4. WELD THE HOUSING TO THE STEEL SHEETING
5. FIX THE CABLE CONDUIT HOSE WITH THE HOSE CLAMP TO THE HOUSING GLAND
6. GROUND THE HOUSING (GROUNDING WIRE NOT SUPPLIED BY MANUFACTURER)



DRILLING TEMPLATE

NOTE:
CHECK TEMPLATE AGAINST
HOUSING BEFORE DRILLING

