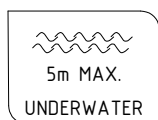
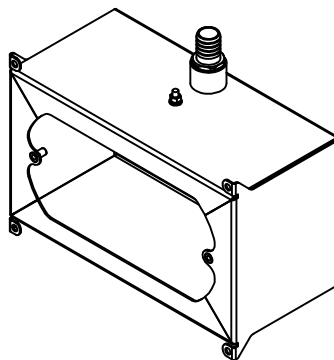


# ARPOOL IRIS BIFECTA

## INSTALLATION INSTRUCTIONS (HOUSING)



IP68

AISI316L



ALL DIMENSIONS ARE GIVEN ACCORDING TO THE SI SYSTEM OF UNITS (MM, KG, °C), ADDITIONAL DIMENSIONS THAT ARE WRITTEN IN BRACKETS, ARE GIVEN ACCORDING TO THE U.S. MEASUREMENT SYSTEM (IN, LBS, °F)

### GENERAL REMARKS ON SAFETY

- READ ALL OF THESE INSTRUCTIONS BEFORE INSTALLING THE HOUSING.
- KEEP ALL OF THE INSTRUCTIONS FOR FUTURE REFERENCE.
- INSTALLATION IS TO BE PERFORMED BY A QUALIFIED CONTRACTOR.
- ALL INSTALLATIONS ARE TO CONFORM TO THE STANDARDS OF THE NATIONAL ELECTRICAL CODE AS WELL AS ALL LOCAL JURISDICTIONAL CODES AND REGULATIONS.
- THE MANUFACTURER ACCEPTS NO RESPONSIBILITY FOR DAMAGE TO PERSONS OR PROPERTY ARISING THROUGH IMPROPER USE OR INSTALLATION.
- HOUSINGS' SURFACES EXPOSED TO THE EFFECTS OF WATER (INCLUDING WATER CONTAINING CHLORINE) ARE MADE OUT OF AISI316L STAINLESS STEEL. AISI316L IS SUITABLE FOR THIS USE AND WILL PREVENT CORROSION UP TO LEVEL OF 1000 PPM OF CHLORINE IN WATER AND UP TO WATER pH LEVEL OF 7.

### WARRANTY

ALL PRODUCTS ARE FACTORY TESTED AND ARE GUARANTEED FREE FROM FACTORY DEFECT FOR A PERIOD OF 36 MONTHS UNDER FOLLOWING TERMS:

- PRODUCT HAS NOT BEEN SUBJECT TO INCORRECT VOLTAGE OR POLARITY CONNECTION.
- PRODUCT HAS NOT BEEN SUBJECT TO PHYSICAL OR ATMOSPHERIC DAMAGE.
- PRODUCT HAS BEEN RETURNED AND FACTORY EVALUATED FOR DEFECT OR MALFUNCTION.
- ALL DRIVERS AND CONTROLLERS ARE APPROVED FOR USE BY FILIX.
- THE HOUSING FACTORY SEAL ( IP RATING ) HAS NOT BEEN COMPROMISED

THE MANUFACTURER ACCEPTS NO RESPONSIBILITY FOR DAMAGE TO PERSONS OR PROPERTY ARISING THROUGH IMPROPER USE OR INSTALLATION.

ANY MODIFICATION OF THE HOUSING WILL VOID ANY AND ALL WRITTEN OR IMPLIED WARRANTIES.

### STANDARD REPLACEMENT AND NORMAL SERVICING TERMS.

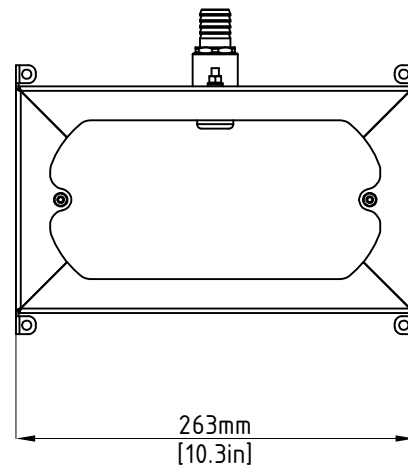
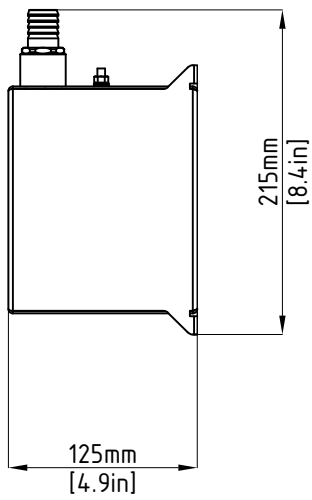
ALL ELECTRONIC AND OTHER CONSUMABLE COMPONENTS ARE SUBJECT OF EXCHANGE AFTER 36 MONTHS OF OPERATIONS. PRODUCT PERFORMANCE DEPENDS OF CRITICAL ELECTRONIC AND OTHER COMPONENTS WHICH CAN BE SERVICED WITH OFFICIAL DEALER OR DIRECTLY WITH THE MANUFACTURER.

MANUFACTURER HOLDS THE RIGHT TO REPAIR AND CHANGE COMPONENTS AS PER CURRENT COMPONENT AVAILABILITY.

MANUFACTURER CANNOT BE HELD LIABLE FOR COMPONENTS AND OTHER EXPENSES ( DE-INSTALLATION, INSTALLATION, SHIPPING, ETC.) INCURRED DURING THE PROCESS OF PRODUCT IMPROVEMENT AND SERVICING.

# HOUSING DIMENSIONS

## CONCRETE HOUSING



# HOUSING INSTALLATION GUIDE

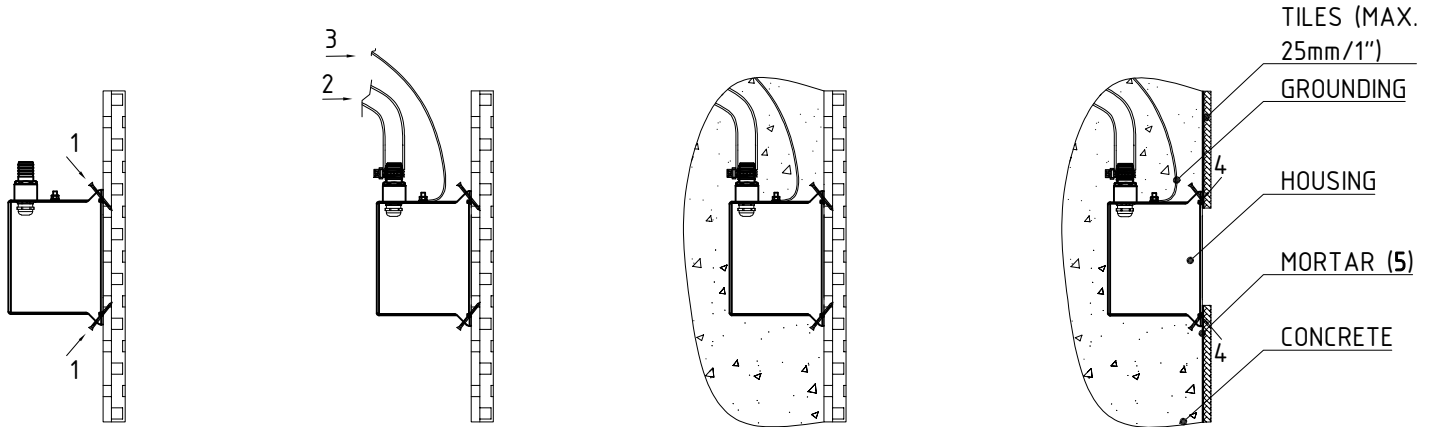
## CONCRETE POOL HOUSING

1. ATTACH THE ARPOOL INSTALLATION HOUSING TO THE FORMWORK WITH SCREWS OR NAILS (SCREWS/NAILS NOT SUPPLIED BY MANUFACTURER; SCREWS/NAILS SHALL BE MADE OUT OF MARINE GRADE STAINLESS STEEL (A4/AISI316L))
2. ROUTE THE CABLE CONDUIT HOSE TO THE DRY AREA WHERE POWER SUPPLY WILL BE LOCATED, AND ATTACH IT TO HOUSING GLAND (CONDUIT HOSE SUPPLIED BY MANUFACTURER)
3. FIX THE CABLE CONDUIT HOSE WITH THE CABLE CLAMP TO THE CABLE GLAND
4. GROUND THE HOUSING (GROUNDING WIRE NOT SUPPLIED BY MANUFACTURER).
5. AFTER THE CONCRETE POUR AND WHEN THE FORMWORK IS REMOVED CUT THE EXCESS OF NAILS/SCREWS
6. PUT MORTAR AND TILES

### IMPORTANT SUGGESTION:

IT IS ADVISED THAT THE THICKNESS OF TILE+MORTAR IS MAXIMUM 25mm/1" THICK.

PAY ATTENTION THAT THREADED HOLES ARE NOT COVERED BY MORTAR OR TILES. THREADED HOLES SHOWN IN WELDMENT POOL HOUSING INSTALLATION GUIDE



# WELDMENT POOL HOUSING

1. CUT STEEL SHEET AT THE INST. POSITION AS PER DIMENSIONS SHOWN BELOW
2. PLACE THE HOUSING ON TO THE STEEL SHEETING
3. FIX THE HOUSING TO THE STEEL SHEETING
4. WELD THE HOUSING TO THE STEEL SHEETING. WELDING PROCESS SHALL BE PERFORMED BY QUALIFIED PROFESSIONAL
5. ATTACH THE CABLE CONDUIT HOSE TO THE HOUSING GLAND (CONDUIT HOSE SUPPLIED BY MANUFACTURER)
6. GROUND THE HOUSING (GROUNDING WIRE NOT SUPPLIED BY MANUFACTURER)

