



Ordering Information

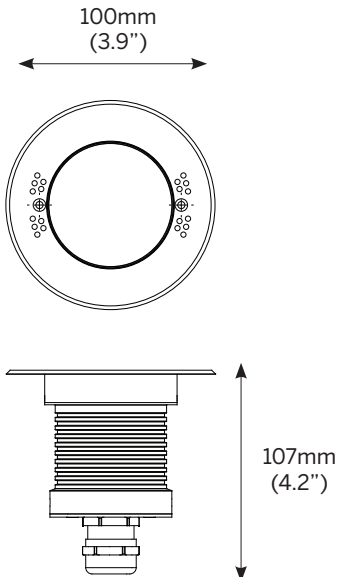
Model	Installation	Power	Color Temp.	Optics	Voltage	Options
AM	TM	L	30 40	SP FL W	12 24	C* C6 C9
		H	30 40 RGBW			



Application

- Public and hotel pools
- Fountains and water feature
- Concrete, liner and steel pools
- Small and medium
- Wall and stairs installation
- Installation depth up to 5m
- Max tile thickness 25mm
- Chlorine and saline environment
- Recommended installation depth 0.3m-0.6m
- DMX, DALI, 0-10V compatible

Trim (TM)



Luminaire

- High performance optics
- Thermal fold back technology
- UL STD 676, submersible, IP68
- Remote power supply
- Stainless steel construction 316L marine grade
- Tempered glass, crystal clear
- Lifetime TM-21 @85C L80(12K)=72600h
- Working temperature from -25°C to 50°C
- Supplied with oil and water resistant 3m (10') feed cable standard, single color 2x0,82(18AWG)mm, RGBW 5x0,82(18AWG) mm
- Cable conduit 1.5m
- IK10

Dimensions

- TM = 100mm x 107mm (3.9"ø x 4.2")

Power (delivered lumen output)

- L - 9W 3000/4000K, 765 lm
- H - 15W 3000/4000K, 1050lm
- H - 15W RGBW

Power Supply

Power supply On/Off - 12V

- 101052 - OT30 12V P - IP67
- 101053 - OT60 12V P - IP67
- 100879 - OT120 12V P - IP67

Power supply with integrated controls - 12V

- 102345 - ELDOLED Linear Drive 100S (DXM,DALI+PS)

Controls - 12V

- 102788 - OT DMX RGBW DIM 12/24V - 89W
- 101047 - OTI DALI DIM 60W 1CH
- 101046 - OT DIM 60W (1-10V)

Color Temperature

- 30 - 3000K
- 40 - 4000K
- RGBW
- 2 Step MacAdam
- CRI: > 85

Optics

- SP - Spot - 15°
- FL - Flood - 40°
- W - Flood - 70°

Voltage

- 12 - 12Vdc fixture voltage
- 24 - 24Vdc fixture voltage

Options

- C - standard feed cable 3m (10')
- C6 - luminaire supplied with 6m (20') feed cable
- C9 - luminaire supplied with 9m (20') feed cable

Installation housing order codes

- AM382 - back feed
- AM382S - side feed
- AM382SP - stainless steel pool
- AM382LN - liner pool

Power supply On/Off - 24V

- 103233 - OT60 24V P - IP67
- 103196 - OT130 24V P - IP67
- 103234 - OT250 24V P - IP67

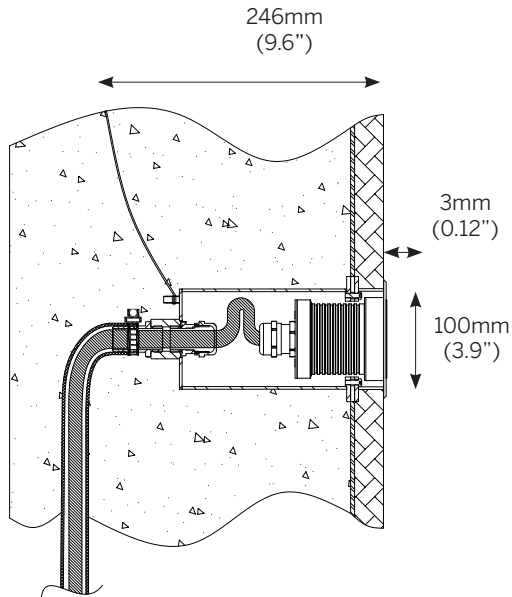
Power supply with integrated controls - 24V

- 102345 - ELDOLED Linear Drive 100S (DXM,DALI+PS)

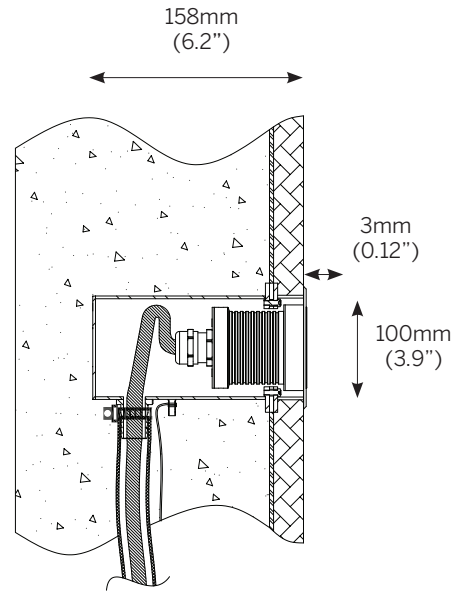
Controls - 24V

- 102788 - OT DMX RGBW DIM 12/24V - 183W
- 101047 - OTI DALI DIM 120W 1CH
- 101046 - OT DIM 60W (1-10V)

Installation housing - AM382 *fits 1m cable



Installation housing - AM382S *fits 1m cable
Side Feed



Installation housing - AM382SP *fits 1m cable

Installation housing - AM382LN *fits 1m cable

Cable conduit - standard 1.5m

