

Arpool L

Specification Sheet



Ordering Information							
Model	Installation	Finish	Power	Color Temp.	Optics	Voltage	Options
AL	TMR TMS	P M B	L H	30 40 RGBW	SP FL W EL SE	12 24	C C6 C9



LUMINAIRE FEATURES

Design and Application

- Installation depth max. up to 5m (16')
- Max tile thickness 25mm (1")
- Trim flange overlap 10mm (0,4")
- DMX, DALI, 0-10V compatible (remote)
- Wall installation
- Large hotel pools

Performance

- IK10, Tempered glass, crystal clear
- Chlorine and saline environment
- Stainless Steel type 316L, marine grade
- Qualicoat class 1 paint protection
- Galvanic current protection (installation housing)
- Thermal fold back technology
- Lifetime TM-21 @80C L80(10K)=60500h
- Supplied with oil and water resistant 3m (10') feed cable as standard
- Operating temperature from -25°C (-13°F) to 40°C (104°F)* -25°C (-13°F) in conditions without water
- CRI: > 85

- 3 Step MacAdam

Safety

- Remote power supply
- Low voltage operation
- Recessed installation

Sustainability

- Recyclable material

POWER SUPPLIES

List of proposed power supplies that are to be ordered separately. Please click [link](#) for list of available drivers

Click [here](#) for voltage drop and distances.

ORDERING INFORMATION

Application/Dimensions

- TMR - Ø240mm x 77,5mm (Ø9,4" x 3,1")
- TMS - 240mm x 240mm x 77,5mm (9,4" x 3,1")

Finish

- P - Stainless steel polished
- M -Stainless steel sandblast matte
- B - Painted black

Power -Delivered lumens

- L - 35W 3000/4000K, 2625 lm
- H - 65W 3000/4000K, 4400lm
- L - 35W RGBW (W 4000K)
- H - 65W RGBW (W 4000K)

Color Temperature

- 30 - 3000K
- 40 - 4000K
- RGBW (W 4000K)

Optics

- SP - Spot - 15°
- FL - Flood - 40°
- W - Wide - 70°
- EL - Elliptical - 15°x36°
- SE - Elliptical - 20°x120°

Voltage

- 12 - 12VDC fixture voltage
- 24 - 24VDC fixture voltage

Options

- C - standard feed cable 3m (10')
- C6 - luminaire supplied with 6m (20') feed cable
- C6 - luminaire supplied with 9m (30') feed cable

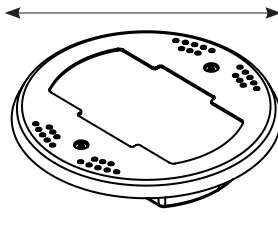
Installation housing

- AL370(TM) - Concrete Pool Installation
- AL370SP - Stainless Steel Pool Installation
- AL370LN - Liner Pool Installation

UL STD 676 swimming pool rated
CSA C22.2#89 swimming pool rated
IP68

TRIM ROUND (TMR)

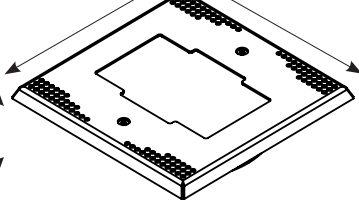
Ø240mm (Ø9,4")



H-77,5mm (3,1")

TRIM SQUARE (TMS)

W-240mm (9,4") L-240mm (9,4")



H-77,5mm (3,1")

International: +385 52 255 324
 info@filixlighting.com
 Europe/GmbH: info@filixlighting.com
 Europe MENA: info@filixlighting.com
 North America: filixlighting-usa.com info@filixlighting.com

Arpool L

Dimensions



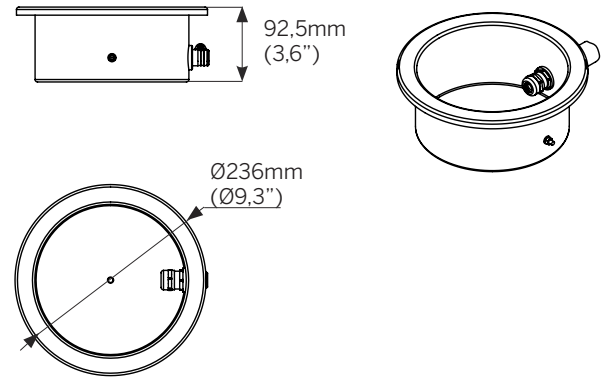
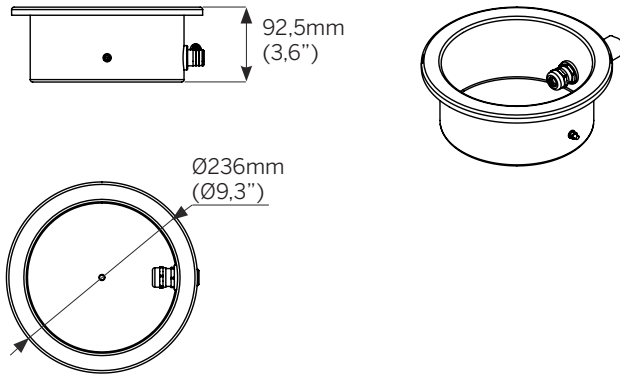
Note:

For details on specific depths, tiling thickness and other please refer to both Installation instructions for fixture and housing.

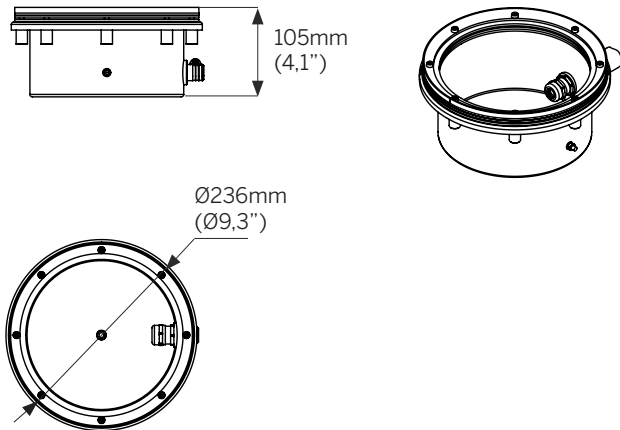
Installation housing - AL370 *fits 2m (6,6') cable
Concrete pool installation

Installation housing - AL370SP *fits 2m (6,6') cable
Stainless steel pool installation

Installation details



Installation housing - AL370LN *fits 2m (6,6') cable
Liner pool installation



International: +385 52 255 324 filixlighting.com
info@filixlighting.com
Europe/GmbH: info@filixlighting.com
Europe MENA: info@filixlighting.com
North America: filixlighting-usa.com info@filixlighting.com

Filix reserves the right to make technical changes without notice.