

Arpool Iris Efecta

Specification Sheet

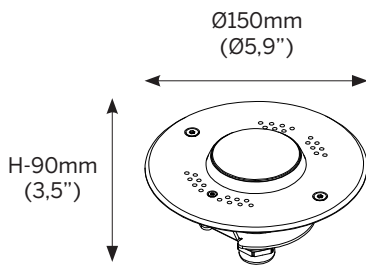


Ordering Information

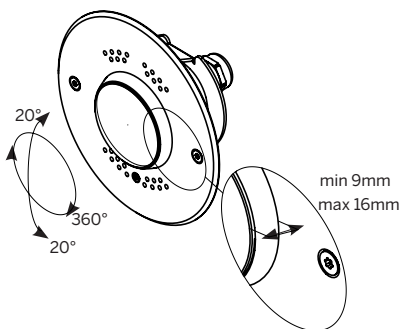
Model	Installation	Power	Color Temp.	Optics	Voltage	Options
AIE	TM	H	30 40 RGBW	SP FL W	12 24	C* C3 C6 C9 C20



IP68
UL STD 676
CSA C22.2#89



360° Rotation,
20° tilt screw adjustment



Iris engine protrusion
min 9mm - max 16mm

LUMINAIRE FEATURES

Design and Application

- Installation depth max. up to 5m (16')
- Recommended installation depth 0.3m-0.6m (1'-2')
- Max tile thickness 25mm (1")
- Trim flange overlap 10mm (0.4")
- DMX, DALI, 0-10V compatible (remote)
- Floor, Wall, and stairs installation
- Large, medium, small pools
- Fountains and water features
- Individual engine rotation 20° all directions

Performance

- IK10, Tempered glass, crystal clear
- Chlorine and saline environment
- Stainless Steel type 316L construction, marine grade
- Galvanic current protection (installation housing)
- Thermal fold back technology
- Lifetime TM-21 @85C L80(10K)=60500h
- Supplied with oil and water resistant 3m (10') feed cable as standard
- Operating temperature from -25°C (-13°F) to 40°C (104°F)*-25°C (-13°F) in conditions without water
- CRI: > 85
- 3 Step MacAdam

Safety

- Child safe - no internal access during rotation
- Remote power supply
- Low voltage operation
- Recessed installation

Sustainability

- Recyclable material
- *Replaceable engine - easy service

ORDERING INFORMATION

Installation/Dimensions

- TM - Ø150mm x H-90mm (Ø5.5" x L-3.5")

Power - Delivered lumens

- H - 15W 3000/4000K, 1200lm
- H - 15W RGBW

Color Temperature

- 30 - 3000K
- 40 - 4000K
- RGBW (W 4000K)

Optics

- SP - Spot - 15°
- FL - Flood - 40°
- W - Flood - 70°

Voltage

- 12 - 12VDC fixture voltage
- 24 - 24VDC fixture voltage

Options

- C - standard feed cable 3m (10')
- C6 - luminaire supplied with 6m (20') feed cable
- C9 - luminaire supplied with 9m (30') feed cable
- C20 - luminaire supplied with 20m (65') feed cable

Installation housing

- AIE - Iris Efecta

Replaceable engine order codes

*check table page #2

Supplied with 200mm cable lead for connection in back box

POWER SUPPLIES

List of proposed power supplies that are to be ordered separately. Please click [link](#) for list of available drivers

Click [here](#) for voltage drop and distances.

International: +385 52 255 324
filixlighting.com info@filixlighting.com
Europe/GmbH: info@filixlighting.com
Europe MENA: info@filixlighting.com
North America: filixlighting-usa.com info@filixlighting.com

Arpool Iris Efecta

Dimensions

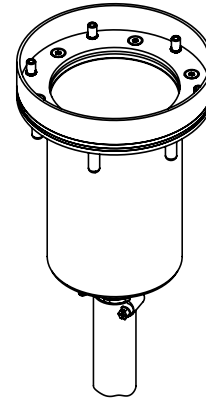
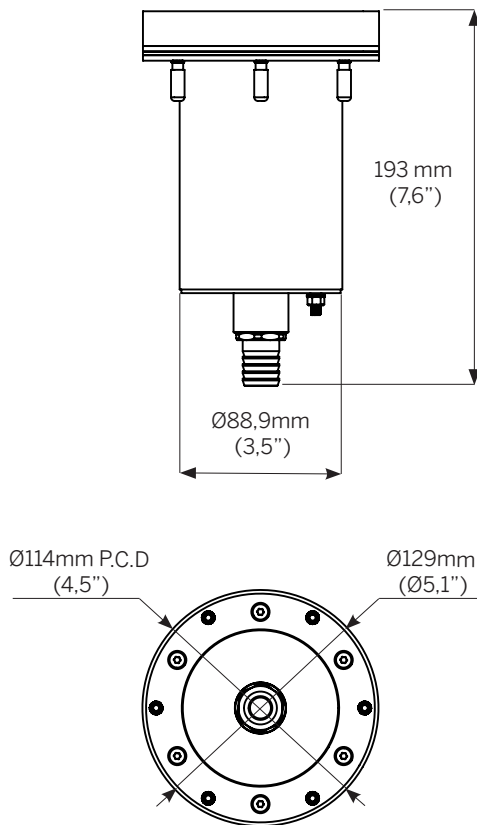


Note:

For details on specific depths, tiling thickness and other please refer to both Installation instructions for fixture and housing.

Installation housing - AIE * fits 1m (3") cable
Concrete Pool Installation, BACK FEED

Installation details



Replaceable Engine

Ordering Information					
Model	Power	Color Temp.	Optics	Voltage	Options
IE	H	30 40 RGBW	SP FL W	12 24	X

*Replaceable Iris engine - code for single Iris engine unit to be order separately in the following cases:

- Servicing
- Customization (optical and color variations - excluding RGBW)

International: +385 52 255 324

filixlighting.com info@filixlighting.com

Europe/GmbH: info@filixlighting.com

Europe MENA: info@filixlighting.com

North America: filixlighting-usa.com info@filixlighting.com

Filix reserves the right to make technical changes without notice.