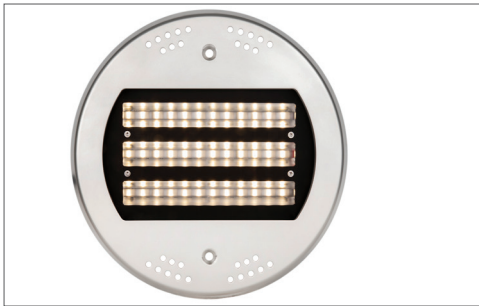


# Arpool Dawn

Specification Sheet



Ordering Information							
Model	Installation	Finish	Power	Color Temp.	Optics	Voltage	Options
ALD	TMR TMS	P M B	L	30 40 RGBW	EL EG	12 24	C* C6 C9 C20



## LUMINAIRE FEATURES

### Design and Application

- Installation depth max. up to 5m (16')
- Max tile thickness 25mm (1")
- Trim flange overlap 10mm (0.4")
- DMX, DALI, 0-10V compatible (remote)
- Wall installation
- Large hotel pools

### Performance

- IK10, Tempered glass, crystal clear
- Chlorine and saline environment
- Stainless Steel type 316L, marine grade
- Qualicoat class 1 paint protection
- Galvanic current protection (installation housing)
- Thermal fold back technology
- Lifetime TM-21 @80C L80(10K)=60500h
- Supplied with oil and water resistant 3m (10') feed cable as standard
- Operating temperature from -25°C (-13°F) to 40°C (104°F)\*-25°C (-13°F) in conditions without water
- CRI: > 85
- 3 Step MacAdam

### Safety

- Remote power supply
- Low voltage operation
- Recessed installation

### Sustainability

- Recyclable material

### POWER SUPPLIES

List of proposed power supplies that are to be ordered separately.  
Please click [link](#) for list of available drivers

Click [here](#) for voltage drop and distances.

## ORDERING INFORMATION

### Application/Dimensions

- TMR = Ø240mm x Ø240mm x 77.5mm (9.4"Ø x 3.1")
- TMS = 240mm x 240mm x 77.5mm (9.4" x 3.1")

### Finish

- P - Stainless steel polished
- M - Stainless steel sandblast matte
- B - Painted black

### Power - delivered lumen output

- L - 35W 3000/4000K, 2900 lm
- L - 35W RGBW (W 4000K)

### Color Temperature

- 30 - 3000K
- 40 - 4000K
- RGBW (W 4000K)

### Optics

- EL - Elliptical - 15x120°
- EG - Elliptical Asymmetric -15°x120° x 15°tilt

### Voltage

- 12 - 12VDC fixture voltage
- 24 - 24VDC fixture voltage

### Options

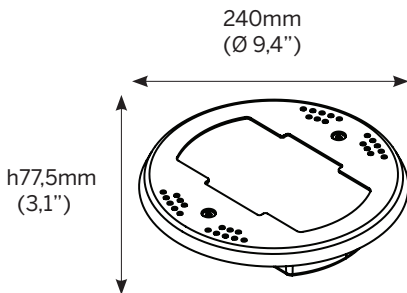
- C - standard feed cable 3m (10')
- C6 - luminaire supplied with 6m (20') feed cable
- C9 - luminaire supplied with 9m (30') feed cable
- C20 - luminaire supplied with 20m (65') feed cable

### Installation housing

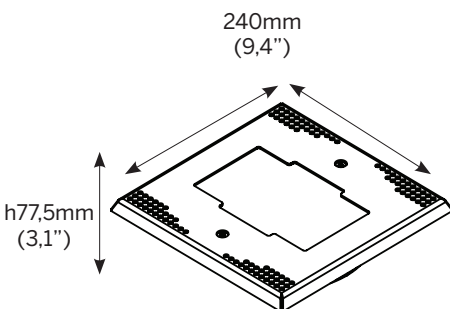
- AL370 - concrete installation
- AL370SS - stainless steel installation
- AL370LM - liner pool installation

**UL STD 676** swimming pool rated  
**CSA C22.2#89** swimming pool rated  
**IP68**

### TRIM ROUND



### TRIM SQUARE



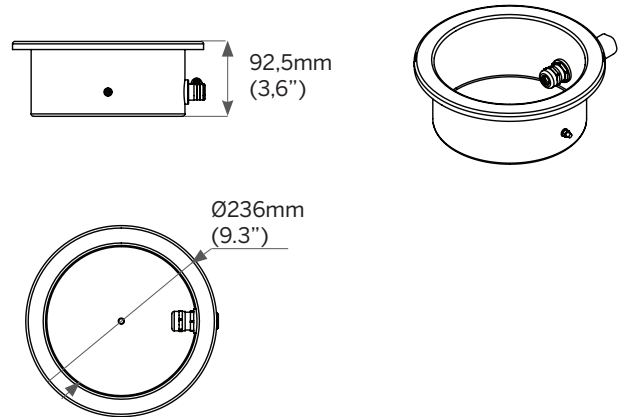
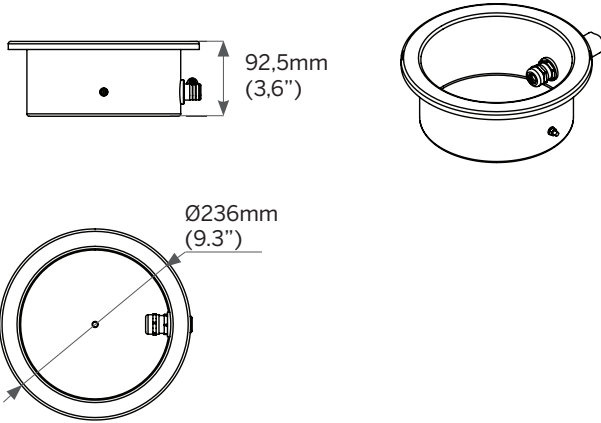
International: +385 52 255 324  
info@filixlighting.com  
Europe/GmbH: info@filixlighting.com  
Europe MENA: info@filixlighting.com  
North America: filixlighting-usa.com info@filixlighting.com

Filix reserves the right to make technical changes without notice.

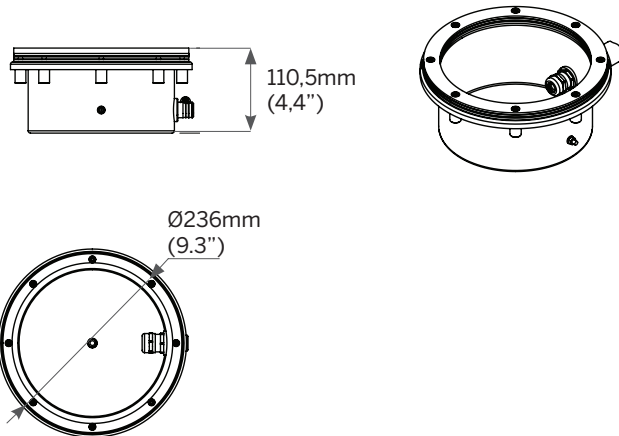
Installation Details

Installation housing - AL370 \*fits 2m (6.6') cable  
Concrete Pool Installation

Installation housing - AL370SS \*fits 2m (6.6') cable  
Stainless Steel Pool Installation



Installation housing - AL370LN \*fits 2m (6.6') cable  
Liner Pool Installation



International: +385 52 255 324  
[filixlighting.com](http://filixlighting.com) [info@filixlighting.com](mailto:info@filixlighting.com)  
 Europe/GmbH: [info@filixlighting.com](mailto:info@filixlighting.com)  
 Europe MENA: [info@filixlighting.com](mailto:info@filixlighting.com)  
 North America: [filixlighting-usa.com](http://filixlighting-usa.com) [info@filixlighting.com](mailto:info@filixlighting.com)

Filix reserves the right to make technical changes without notice.