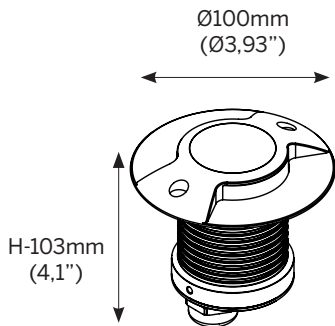


Arpool Coral

Specification Sheet



UL STD 676 swimming pool rated
CSA C22.2#89 swimming pool rated
IP68



International: +385 52 255 324
 info@filixlighting.com
 Europe/GmbH: info@filixlighting.com
 Europe MENA: info@filixlighting.com
 North America: filixlighting-usa.com info@filixlighting.com

Filix reserves the right to make technical changes without notice.

Ordering Information						
Model	Installation	Power	Color Temp.	Light Effect	Voltage	Options
AC	TM	L	27 30 40 RGBW AM	S30 S60 S120 D30 D60 D120	12 24	C* C6 C9 C20



LUMINARIE FEATURES

Design and Application

- Installation depth max. up to 5m (16')
- Max tile thickness 25mm (1")
- Trim flange overlap 10mm (0.4")
- DMX, DALI, 0-10V compatible (remote)
- Seaside walkways, bridges, coastal areas
- Small and medium pool
- Wall and stairs installation

Performance

- IK10, Tempered glass, crystal clear
- Operation allowed outside water
- Chlorine and saline environment
- Stainless Steel type 316L, marine grade
- Galvanic current protection (installation housing)
- Thermal fold back technology
- Lifetime TM-21 @85C L80(10K)=60500h
- Supplied with oil and water resistant 3m (10') feed cable as standard
- Operating temperature from -25°C (-13°F) to 40°C (104°F)*-25°C (-13°F) in conditions without water
- CRI: > 85
- 3 Step MacAdam

Safety

- Remote power supply
- Low voltage operation
- Recessed installation

Sustainability

- Recyclable material

ORDERING INFORMATION

Application/Dimensions

- TM - Ø100mm x H-103mm (Ø3.93" x H-4.1")

Power - delivered lumens

- L - 9W, 2700K - 4000K/AM, 90 lm
- H - 9W, RGBW (W 4000K)

Color Temperature

- 27 - 3000K
- 30 - 3000K
- 40 - 4000K
- RGBW (W 4000K)
- AM - AMBER 589nm *turtle friendly area

Light Effect - aperture

- S30, 60, 120 - Single Side 30°, 60°, 120°
- D30, 60, 120 - Double Side 30°, 60°, 120°

Voltage

- 12 - 12VDC fixture voltage
- 24 - 24VDC fixture voltage

Options

- C - standard feed cable 3m (10')
- C6 - luminaire supplied with 6m (20') feed cable
- C9 - luminaire supplied with 9m (30') feed cable
- C20 - luminaire supplied with 20m (65') feed cable

Installation housing

- AM382 - (TM)*underwater installation
- AM382S - (TM) *underwater installation
- AC60C - *exterior installation

POWER SUPPLIES

List of proposed power supplies that are to be ordered separately.
 Please click [link](#) for list of available drivers
 Click [here](#) for voltage drop and distances.

Arpool Coral

Dimensions



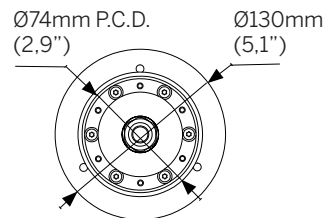
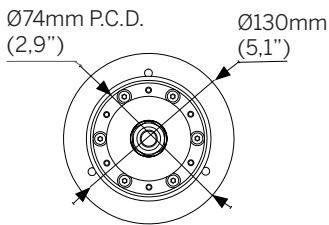
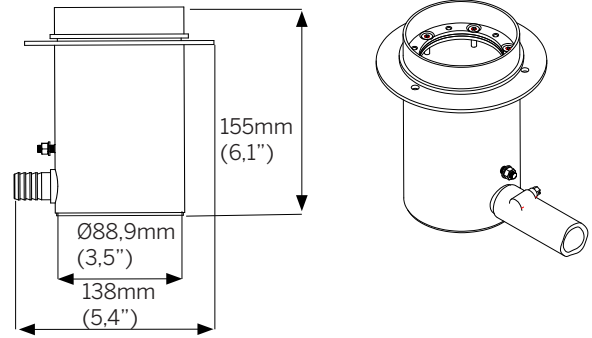
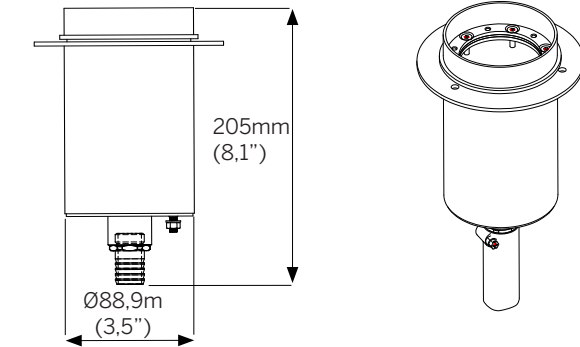
Note:

For details on specific depths, tiling thickness and other please refer to both Installation instructions for fixture and housing.

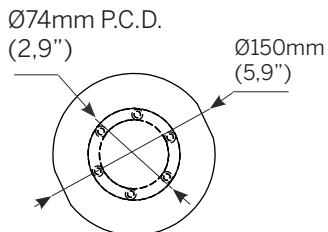
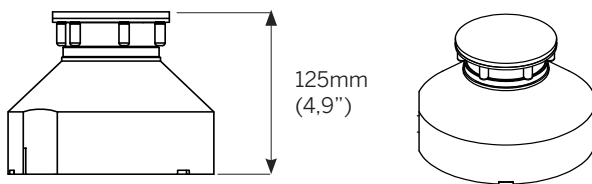
Installation details

Installation housing - AM382 *fits 1m (3'') cable
Back feed trim (TM)

Installation housing - AM382S *fits 1m (3'') cable
Side feed trim (TM)



Installation housing - AC60C *fits 1m (3'') cable
Inground exterior installation (TM)



International: +385 52 255 324
 info@filixlighting.com
 Europe/GmbH: info@filixlighting.com
 Europe MENA: info@filixlighting.com
 North America: filixlighting-usa.com info@filixlighting.com

Filix reserves the right to make technical changes without notice.