



Arpool XM Projector

Specification Sheet



UL STD 676

water feature and fountain rated

IP68

LUMINAIRE FEATURES

Design and Application

- Installation depth max. up to 5m (16')
- Glare reduction accessory - snoot
- DMX, DALI, 0-10V compatible (remote)
- Surface mount (floor/wall) installation
- Underwater architectural / landscape lighting
- Fountains and water features

Performance

- IK10, Tempered glass, crystal clear
- Chlorine and saline environment
- Stainless Steel type 316L, marine grade
- Galvanic current protection
- Thermal fold back technology
- LED Lifetime TM-21 @ 105°C
L80(24K) = 145,000 hours
- Supplied with oil and water resistant
3m (10') feed cable as standard
- CRI: > 85
- 3 Step MacAdam

Safety

- Remote power supply
- Low voltage operation

Sustainability

- Recyclable material

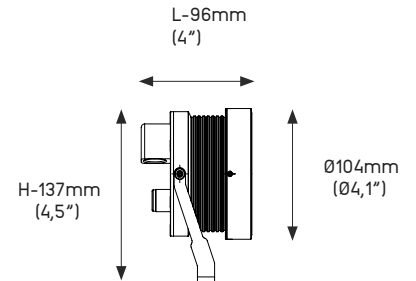
Accessories

- 202135 - Adjustable waterproof wall duct
17mm-25mm (0,66" - 0,98")

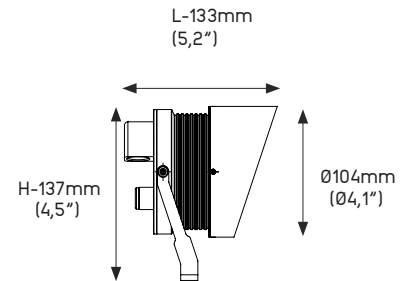
Power supplies

- List of proposed power supplies that are to be ordered separately.
- Click [here](#) for list of available drivers.
- Click [here](#) for voltage drop and distances.

AXMP



AXMPS



Note

Underwater luminaire – must be constantly submersed.

Click [here](#) to download fixture installation manual.

Click [here](#) to download CAD file.

Click [here](#) to download IES-LTD data.



Arpool XM Projector

ORDERING INFORMATION

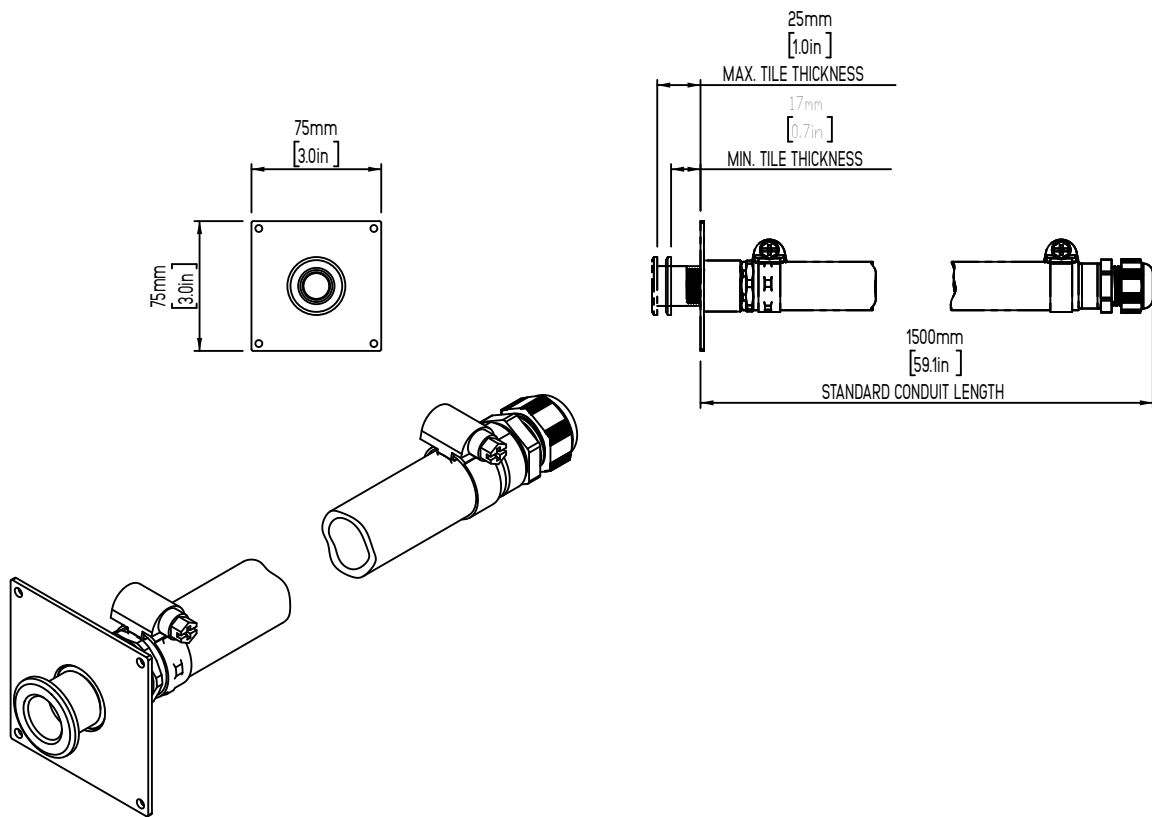
MODEL	
AXMP	<ul style="list-style-type: none">AXMP - H-137mm x Ø104mm x L-96mm (H-4,5"x Ø4,1"x L-4")
AXMPS	<ul style="list-style-type: none">AXMPS - H-137mm x Ø104mm x L-133mm (H-4,5"x Ø4,1"x L-5,2")
POWER	
L	<ul style="list-style-type: none">L - 21W 3000/4000K, 1700 lmL - 21W RGBW (W 4000K)
COLOR TEMP.	
27	<ul style="list-style-type: none">27 - 2700K
30	<ul style="list-style-type: none">30 - 3000K
40	<ul style="list-style-type: none">40 - 4000K
TW	<ul style="list-style-type: none">TW - Tunable white (2200-4000K)
RGBW	<ul style="list-style-type: none">RGBW (W 4000K)
OPTICS	
SP	<ul style="list-style-type: none">SP - Spot - 15°
FL	<ul style="list-style-type: none">FL - Flood - 40°
W	<ul style="list-style-type: none">W - Wide - 70°
SE	<ul style="list-style-type: none">SE - Elliptical - 20°x 120°
SPX	<ul style="list-style-type: none">SPX - Spot - 15° + hex
FLX	<ul style="list-style-type: none">FLX - Flood - 40° + hex
WX	<ul style="list-style-type: none">WX - Wide - 70° + hex
SEX	<ul style="list-style-type: none">SEX - Elliptical - 20°x 120° + hex
VOLTAGE	
12	<ul style="list-style-type: none">12 - 12VDC fixture voltage
24	<ul style="list-style-type: none">24 - 24VDC fixture voltage
OPTIONS	
3	<ul style="list-style-type: none">3* - standard feed cable 3m (10')
6	<ul style="list-style-type: none">6 - luminaire supplied with 6m (20') feed cable
9	<ul style="list-style-type: none">9 - luminaire supplied with 9m (30') feed cable
20	<ul style="list-style-type: none">20 - luminaire supplied with 20m (65') feed cable
GLARE CONTROL	
1	<ul style="list-style-type: none">1 - Half moon



Arpool XM Projector

ACCESSORIES

Waterproof wall duct - 20135



Note:
For details on specific depths, tiling thickness and other please refer to both Installation instructions for fixture and housing.