



# Arpool Linear Recessed

Specification Sheet



UL STD 676 swimming pool rated  
CSA C22.2#89 swimming pool rated  
IP68

## LUMINAIRE FEATURES

### Design and Application

- Installation depth max. up to 5m (16')
- Max tile thickness 25mm (1")
- Trim flange overlap 10mm (0,4")
- DMX, DALI, 0-10V compatible (remote)
- Wall and floor installation
- Infinity pools and swimming pool complexes
- Fountains and water features

### Performance

- IK10, Tempered glass, crystal clear
- Chlorine and saline environment
- Stainless Steel type 316L, marine grade
- Galvanic current protection (installation housing)
- Thermal fold back technology
- Lifetime TM-21 @85C L80(14K)=81600h
- Supplied with oil and water resistant 3m (10') feed cable as standard
- CRI: > 85
- 3 Step MacAdam

### Safety

- Remote power supply
- Low voltage operation
- Recessed installation

### Sustainability

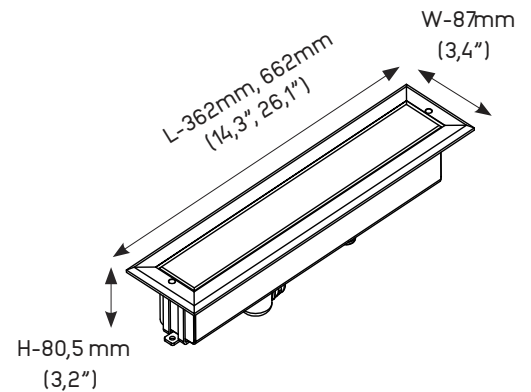
- Recyclable material

### Installation housing

- AR413 - Housing Arpool Linear L360
- AR415 - Housing Arpool Linear L660
- AR413NSF – Housing Arpool Linear Narrow L360 Side Feed
- AR415NSF – Housing Arpool Linear Narrow L660 Side Feed
- AR413NBF – Housing Arpool Linear Narrow L360 Back Feed
- AR415NBF – Housing Arpool Linear Narrow L660 Back Feed

### Power supplies

- List of proposed power supplies that are to be ordered separately.
- Click [here](#) for list of available drivers.
- Click [here](#) for voltage drop and distances.



Click [here](#) to download fixture installation manual.  
Click [here](#) to download housing installation manual.  
Click [here](#) to download CAD file.  
Click [here](#) to download IES-LTD data.

### Note:

Underwater luminaire – must be constantly submerged.



# Arpool Linear Recessed

## ORDERING INFORMATION

### MODEL

ALR

### LENGHT

360

- 362mm (14,3")

660

- 662mm (26,1")

### POWER

L

- L - 40W/m, 3000K - 4000K, 2673lm/m

H

- H - 67W/m, 3000K - 4000K, 4422lm/m
- L - 48W/m, RGBW

### COLOR TEMP.

27

- 27 - 2700K

30

- 30 - 3000K

40

- 40 - 4000K

TW

- TW - Tunable white (2200-4000K)

RGBW

- RGBW (W 4000K)

### OPTICS

SP

- SP - Spot - 17°

FL

- FL - Flood - 31°

GR

- GR - Graze - 14° x 40°

GR20

- GR20 - 14° x 40°/tilt 20°

GRW

- GRW - Graze - 10° x 60°

SPX

- SPX - Spot - 17° + hex

FLX

- FLX - Flood - 31° + hex

GRX

- GRX - Graze - 14° x 40° + hex

GR20X

- GR20X - 14° x 40°/tilt 20° + hex

GRWX

- GRWX - Graze - 10° x 60° + hex

### VOLTAGE

12

- 12 - 12VDC fixture voltage

24

- 24 - 24VDC fixture voltage

### OPTIONS

3

- 3\* - standard feed cable 3m (10')

6

- 6 - luminaire supplied with 6m (20') feed cable

9

- 9 - luminaire supplied with 9m (30') feed cable

20

- 20 - luminaire supplied with 20m (65') feed cable

### GLARE CONTROL

1

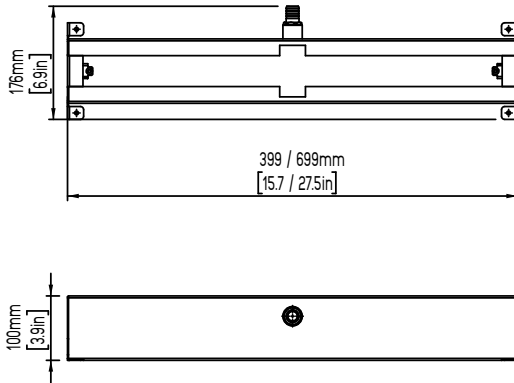
- 1 - Half moon



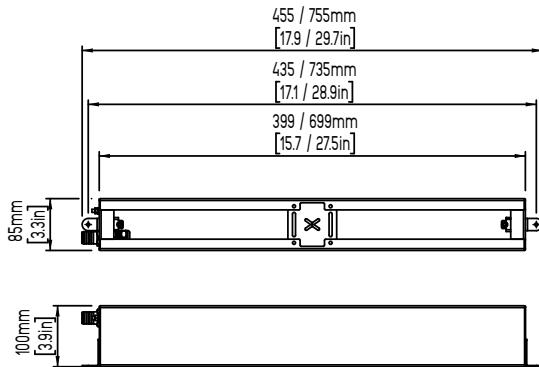
# Arpool Linear Recessed

## INSTALLATION HOUSING

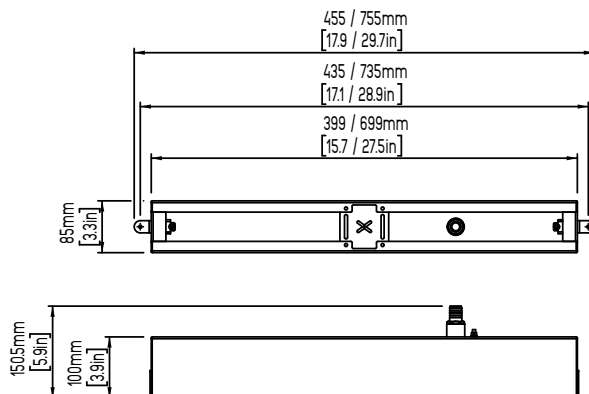
- AR413 - Housing Arpool Linear L360
- AR415 - Housing Arpool Linear L660



- AR413NSF – Housing Arpool Linear Narrow L360 Side Feed
- AR415NSF – Housing Arpool Linear Narrow L660 Side Feed



- AR413NBF – Housing Arpool Linear Narrow L360 Back Feed
- AR415NBF – Housing Arpool Linear Narrow L660 Back Feed



Note:  
For details on specific depths, tiling thickness and other please refer to both Installation instructions for fixture and housing.