



Arpool XM Projector

Specification Sheet



UL STD 676

water feature and fountain rated

IP68

LUMINAIRE FEATURES

Design and Application

- Installation depth max. up to 3m (10')
- Glare reduction accessory - snoot
- DMX, DALI, 0-10V compatible (remote)
- Surface mount (floor/wall) installation
- Underwater architectural / landscape lighting
- Fountains and water features

Performance

- IK10, Tempered glass, crystal clear
- Chlorine and saline environment
- Stainless Steel type 316L, marine grade
- Galvanic current protection
- Thermal fold back technology
- Lifetime TM-21 @85C L80(10K)=60500h
- Supplied with oil and water resistant 3m (10') feed cable as standard
- CRI: > 85
- 3 Step MacAdam

Safety

- Remote power supply
- Low voltage operation

Sustainability

- Recyclable material

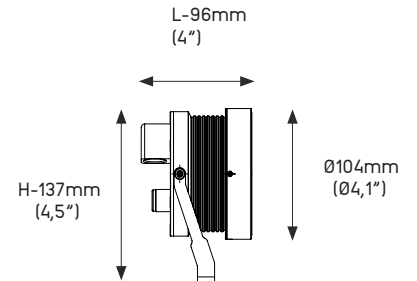
Accessories

- 202591 - Adjustable waterproof wall duct 17mm-25mm (0,66"- 0,98")

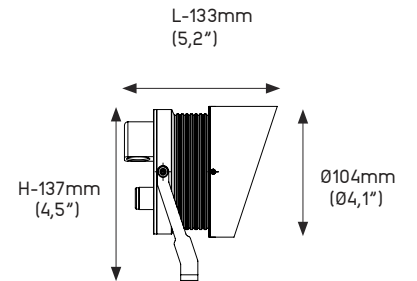
Power supplies

- List of proposed power supplies that are to be ordered separately.
- Please click [link](#) for list of available drivers.
- Click [here](#) for voltage drop and distances.
- Click [here](#) for voltage drop and distances

AXMP



AXMPS



Note

Underwater luminaire – must be constantly submersed.

Click [here](#) to download fixture installation manual.

Click [here](#) to download CAD file.

Click [here](#) to download IES-LTD data.



Arpool XM Projector

ORDERING INFORMATION

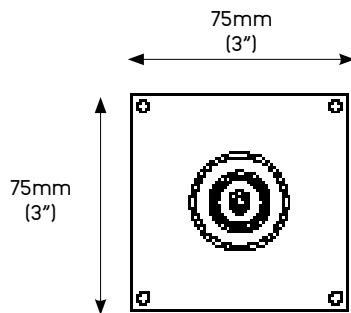
MODEL	
AXMP	<ul style="list-style-type: none">• AMP - H-4,5"x 04,1"x L-4" (H-137mm x 0104mm x L-96mm)
AXMPS	<ul style="list-style-type: none">• AMPS - H-4,5"x 044,1"x L-5,2" (H-137mm x 0104mm x L-133mm)
POWER	
L	<ul style="list-style-type: none">• L - 21W 3000/4000K, 1700 lm• L - 21W RGBW (W 4000K)
COLOR TEMP.	
30	<ul style="list-style-type: none">• 30 - 3000K
40	<ul style="list-style-type: none">• 40 - 4000K
RGBW	<ul style="list-style-type: none">• RGBW (W 4000K)
OPTICS	
SP	<ul style="list-style-type: none">• SP - Spot - 15°
FL	<ul style="list-style-type: none">• FL - Flood - 40°
W	<ul style="list-style-type: none">• W - Wide - 70°
SE	<ul style="list-style-type: none">• SE - Elliptical - 20°x 120°
VOLTAGE	
12	<ul style="list-style-type: none">• 12 - 12VDC fixture voltage
24	<ul style="list-style-type: none">• 24 - 24VDC fixture voltage
OPTIONS	
3	<ul style="list-style-type: none">• 3* - standard feed cable 3m (10')
6	<ul style="list-style-type: none">• 6 - luminaire supplied with 6m (20') feed cable
9	<ul style="list-style-type: none">• 9 - luminaire supplied with 9m (30') feed cable
20	<ul style="list-style-type: none">• 20 - luminaire supplied with 20m (65') feed cable



Arpool XM Projector

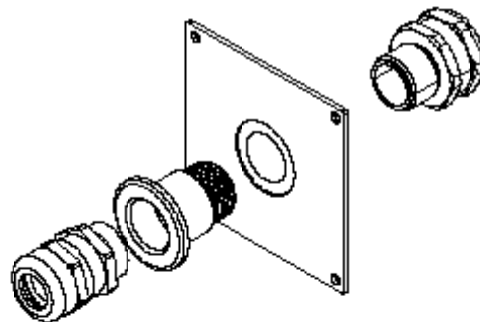
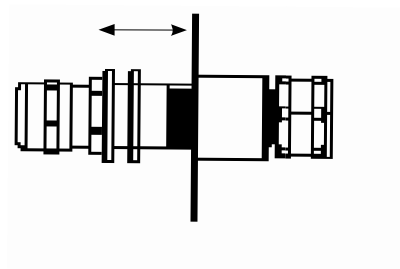
ACCESSORIES

Waterproof wall duct - 202591



Tiles thickness
adjustment

17-25mm
(0,7" - 1")



Note:
For details on specific depths, tiling thickness and other please refer to both Installation instructions for fixture and housing.