



# Arpool M Projector

Specification Sheet



## UL STD 676

water feature and fountain rated

IP68

## LUMINAIRE FEATURES

### Design and Application

- Installation depth max. up to 3m (10')
- Glare reduction accessory - snoot
- DMX, DALI, 0-10V compatible (remote)
- Surface mount (floor/wall) installation
- Underwater architectural / landscape lighting
- Fountains and water features

### Performance

- IK10, Tempered glass, crystal clear
- Chlorine and saline environment
- Stainless Steel type 316L, marine grade
- Galvanic current protection
- Thermal fold back technology
- Lifetime TM-21 @85C L80(10K)=60500h
- Supplied with oil and water resistant 3m (10') feed cable as standard
- CRI: > 85
- 3 Step MacAdam

### Safety

- Remote power supply
- Low voltage operation

### Sustainability

- Recyclable material

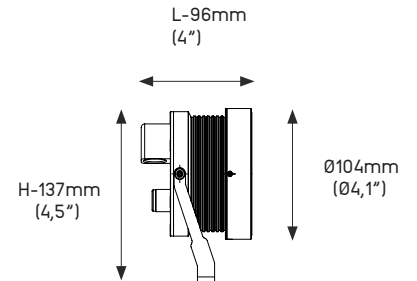
### Accessories

- 202591 - Adjustable waterproof wall duct 17mm-25mm (0,66"- 0,98")

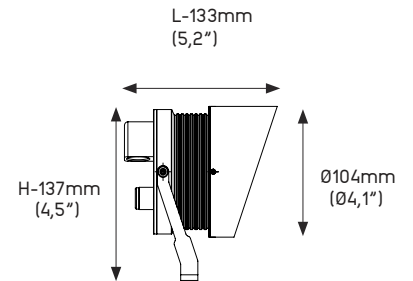
### Power supplies

- List of proposed power supplies that are to be ordered separately.
- Please click [link](#) for list of available drivers.
- Click [here](#) for voltage drop and distances

AXMP



AXMPS



## Note

Underwater luminaire – must be constantly submersed.

Click [here](#) to download fixture installation manual.

Click [here](#) to download CAD file.

Click [here](#) to download IES-LTD data.



# Arpool M Projector

## ORDERING INFORMATION

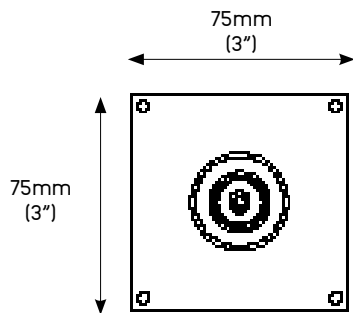
<b>MODEL</b>	
<b>FAMP</b>	<ul style="list-style-type: none"><li>FAMP - H-100mm x Ø63mm x L-97mm (H-3,9"x Ø2,5"x L-3,7")</li></ul>
<b>FAMPS</b>	<ul style="list-style-type: none"><li>FAMPS - H-100mm x Ø63mm x L-140mm (H-3,9"x Ø2,5"x L-5,5")</li></ul>
<b>POWER</b>	
<b>L</b>	<ul style="list-style-type: none"><li>L - 9W, 3000-4000K, 600 lm</li></ul>
<b>H</b>	<ul style="list-style-type: none"><li>H - 15W, 3000-4000K, 1000lm</li><li>H - 15W, RGBW (W 4000K)</li></ul>
<b>COLOR TEMP.</b>	
<b>30</b>	<ul style="list-style-type: none"><li>30 - 3000K</li></ul>
<b>40</b>	<ul style="list-style-type: none"><li>40 - 4000K</li></ul>
<b>RGBW</b>	<ul style="list-style-type: none"><li>RGBW (W 4000K)</li></ul>
<b>OPTICS</b>	
<b>SP</b>	<ul style="list-style-type: none"><li>SP - Spot - 15°</li></ul>
<b>FL</b>	<ul style="list-style-type: none"><li>FL - Flood - 40°</li></ul>
<b>W</b>	<ul style="list-style-type: none"><li>W - Wide - 70°</li></ul>
<b>VOLTAGE</b>	
<b>12</b>	<ul style="list-style-type: none"><li>12 - 12VDC fixture voltage</li></ul>
<b>24</b>	<ul style="list-style-type: none"><li>24 - 24VDC fixture voltage</li></ul>
<b>OPTIONS</b>	
<b>3</b>	<ul style="list-style-type: none"><li>3* - standard feed cable 3m (10')</li></ul>
<b>6</b>	<ul style="list-style-type: none"><li>6 - luminaire supplied with 6m (20') feed cable</li></ul>
<b>9</b>	<ul style="list-style-type: none"><li>9 - luminaire supplied with 9m (30') feed cable</li></ul>
<b>20</b>	<ul style="list-style-type: none"><li>20 - luminaire supplied with 20m (65') feed cable</li></ul>



# Arpool M Projector

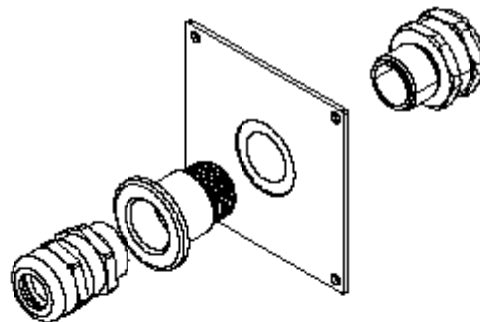
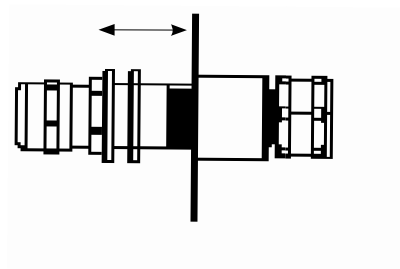
## ACCESSORIES

Waterproof wall duct - 202591



Tiles thickness  
adjustment

17-25mm  
(0,7" - 1")



Note:  
For details on specific depths, tiling thickness and other please refer to both Installation instructions for fixture and housing.