



Arpool Linear Recessed

Specification Sheet



UL STD 676 swimming pool rated
CSA C22.2#89 swimming pool rated
IP68

LUMINAIRE FEATURES

Design and Application

- Installation depth max. up to 5m (16')
- Max tile thickness 25mm (1")
- Trim flange overlap 10mm (0,4")
- DMX, DALI, 0-10V compatible (remote)
- Wall and floor installation
- Infinity pools and swimming pool complexes
- Fountains and water features

Performance

- IK10, Tempered glass, crystal clear
- Chlorine and saline environment
- Stainless Steel type 316L, marine grade
- Galvanic current protection (installation housing)
- Thermal fold back technology
- Lifetime TM-21 @85C L80(14K)=81600h
- Supplied with oil and water resistant 3m (10') feed cable as standard
- CRI: > 85
- 3 Step MacAdam

Safety

- Remote power supply
- Low voltage operation
- Recessed installation

Sustainability

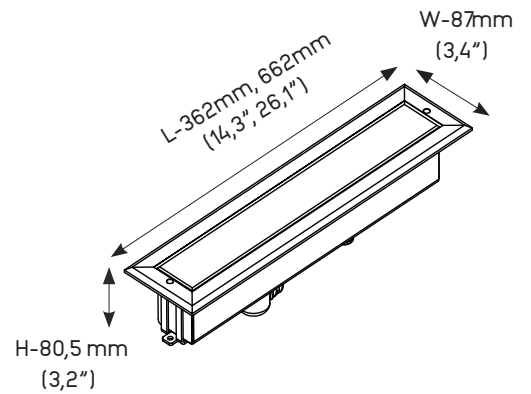
- Recyclable material

Installation housing

- AR413 - 362mm (14,3")
- AR415 - 662mm (26,1")

Power supplies

- List of proposed power supplies that are to be ordered separately.
- Please click [link](#) for list of available drivers.
- Click [here](#) for voltage drop and distances.



Click [here](#) to download fixture installation manual.
Click [here](#) to download housing installation manual.
Click [here](#) to download CAD file.
Click [here](#) to download IES-LTD data.



Arpool Linear Recessed

ORDERING INFORMATION

MODEL

ALR

LENGHT

360

- 362mm (14,3")

660

- 662mm (26,1")

POWER

L

- L - 12W/ft, 3000K - 4000K, 810lm/ft

H

- H - 20W/ft, 3000K - 4000K, 1340lm/ft
- H - 14,5W/ft,RGBW

COLOR TEMP.

30

- 30 - 3000K

40

- 40 - 4000K

RGBW

- RGBW (W 4000K)

OPTICS

SP

- SP - Spot - 17°

FL

- FL - Flood - 31°

GR

- GR - Graze - 14° x 40°

GR20

- GR20 - 14° x 40°/tilt 20°

GRW

- GRW - Graze - 10° x 60°

VOLTAGE

12

- 12 - 12VDC fixture voltage

24

- 24 - 24VDC fixture voltage

OPTIONS

3

- 3* - standard feed cable 3m (10')

6

- 6 - luminaire supplied with 6m (20') feed cable

9

- 9 - luminaire supplied with 9m (30') feed cable

20

- 20 - luminaire supplied with 20m (65') feed cable

INSTALLATION HOUSING

- AR413 - 362mm (14,3")
- AR415 - 662mm (26,1")

