

INSTALLATION INSTRUCTION

StepUp SLIM LIGHTING FIXTURES

All dimensions are given according to the SI system of units (mm, kg, °C), additional dimensions that are written in brackets, are given according to the U.S. measurement system (in, lbs, °F).

GENERAL REMARKS ON SAFETY



- Read all of these instructions before installing fixtures.
- Keep all of the instructions for future reference.
- Turn off power before installing fixture.
- Installation is to be performed by a qualified electrician only.
- All installations are to conform to the standards of the National Electrical Code as well as all local jurisdictional codes and regulations.
- Any modification of the luminaire will void any and all written or implied warranties.
- Do not open the fixture - this will void the IP rating.
- The manufacturer accepts no responsibility for damage to persons or property arising through improper use or installation.

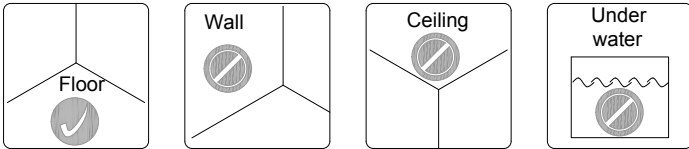
WARRANTY



- All products are factory tested and are guaranteed free from factory defect for a period of 3 years under following terms:
- Product has not been subject to incorrect voltage or polarity connection.
 - Product has not been subject to physical or atmospheric damage.
 - Product has been returned and factory evaluated for defect or malfunction.
 - All drivers and controllers are approved for use by FILIX.
 - The luminaire factory seal (IP rating) has not been compromised

The manufacturer accepts no responsibility for damage to persons or property arising through improper use or installation.

POSSIBLE INSTALLATION POSITIONS



40°
(104° F)

*The surface temperature of the fixture is $\approx 40^{\circ}\text{C}$ (104°F) and imposes no limits on installation



1500kg
(3300lb)

*It has been designed and tested to stand a static load up to 1500kg (3300 lb)



IP67



24Vdc
CLASS II



For WET
location



IK10



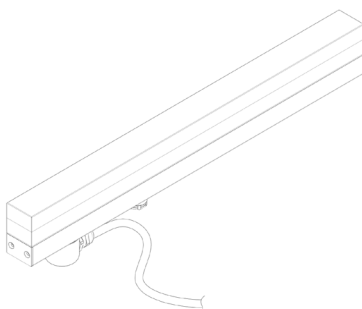
Calculate the maximum power consumption and use appropriately sized drivers/controllers



This product must be installed in accordance with the applicable installation code by a person familiar with the construction and operation of the product and the hazards involved.

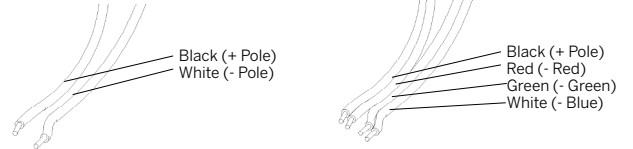


StepUp SLIM

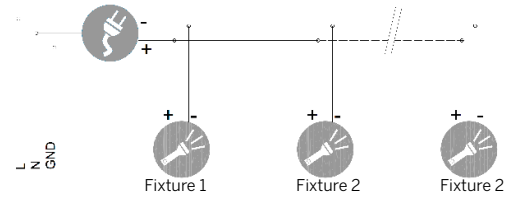


FILIX

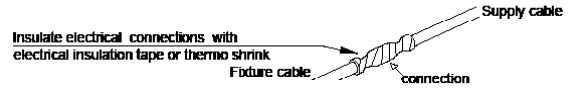
CABLE WIRING MARKINGS



WIRING MARKINGS



IF CONNECTOR IS NOT SUPPORTED

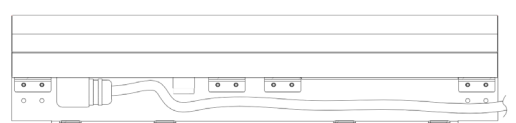
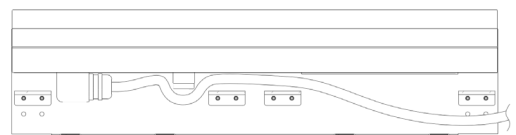
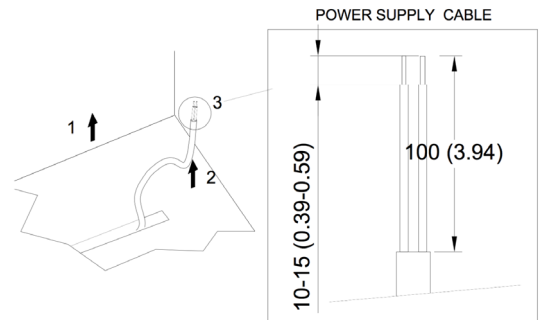


Note: for wet location use IP68 connector

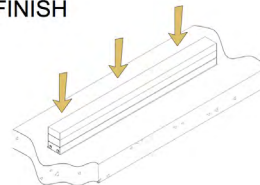
INSTALLATION GUIDE



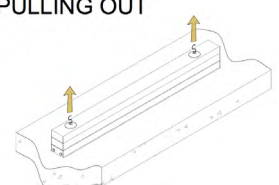
1. Remove cover from housing
2. Pull out supply cable
3. Stripp cable and prepare wires for connection like shown below.
4. Conect wires like shovn in figure above.
5. Arrange the cables in the housing
6. Place the fixture inside housing



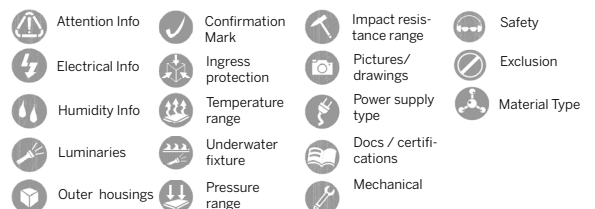
FINISH



PULLING OUT



LEGEND



INSTALLATION INSTRUCTION

StepUp SLIM HOUSING

All dimensions are given according to the SI system of units (mm, kg, °C), additional dimensions that are written in brackets, are given according to the U.S. measurement system (in, lbs, °F).

GENERAL REMARKS ON SAFETY



- Read all of these instructions before installing fixtures.
- Keep all of the instructions for future reference.
- Turn off power before installing fixture.
- Installation is to be performed by a qualified electrician only.
- All installations are to conform to the standards of the National Electrical Code as well as all local jurisdictional codes and regulations.
- Any modification of the luminaire will void any and all written or implied warranties.
- Do not open the fixture -this will void the IP rating.
- The manufacturer accepts no responsibility for damage to persons or property arising through improper use or installation.

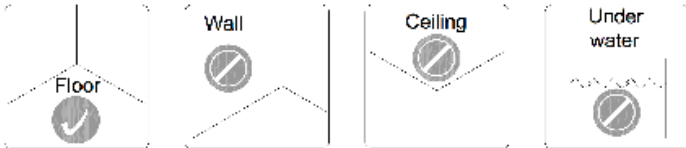
WARRANTY



- All products are factory tested and are guaranteed free from factory defect for a period of 3 years under following terms:
- Product has not been subject to incorrect voltage or polarity connection.
 - Product has not been subject to physical or atmospheric damage.
 - Product has been returned and factory evaluated for defect or malfunction.
 - All drivers and controllers are approved for use by FILIX.
 - The luminaire factory seal (IP rating) has not been compromised

The manufacturer accepts no responsibility for damage to persons or property arising through improper use or installation.

POSSIBLE INSTALLATION POSITIONS



*The surface temperature of the fixture is $\approx 40^{\circ}\text{C}$ (104°F) and imposes no limits on installation



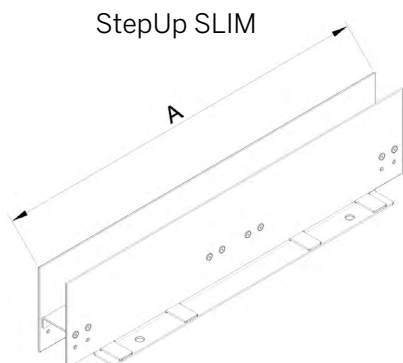
*It has been designed and tested to stand a static load up to 1500 kg (3300 lb)



When installing luminaire outer housing must be used.



This product must be installed in accordance with the applicable installation code by a person familiar with the construction and operation of the product and the hazards involved.

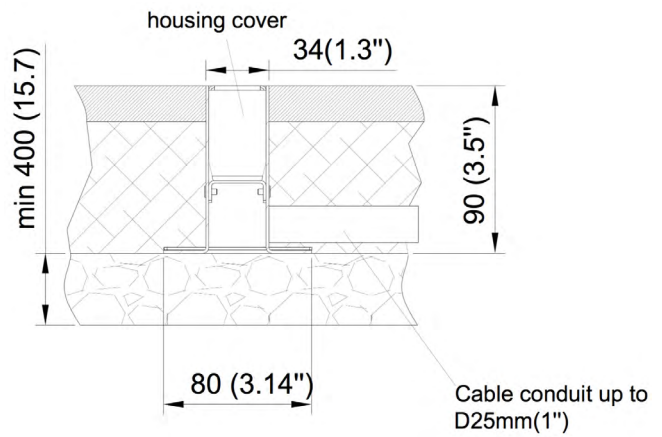


A= 401 mm(15.7")
A= 1001mm(39.4")

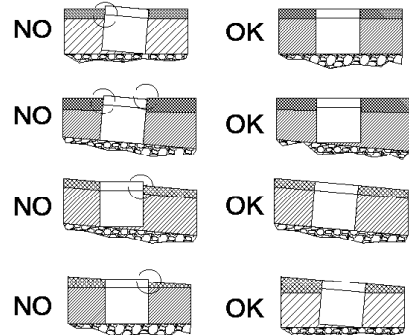
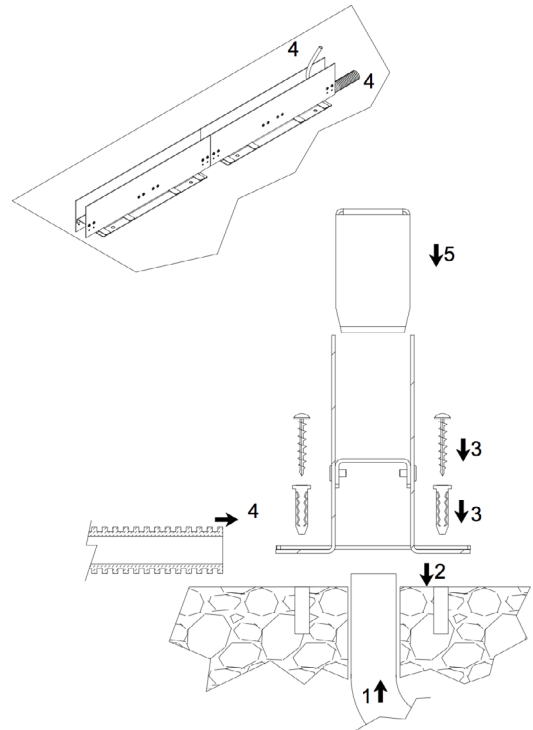
FILIX



CONCRETE HOUSING



1. Prepare proper drainage or drainage pipe at installing position.
2. Using bottom housing sheet as template drill holes for anchor 6mm (# 10) screws (pay attention on housing alignment).
3. Use screws to fix housing on to bottom sheet
4. Insert cable/pipe with supply cable inside housing
5. Place safety cover on top.
6. Pour concrete around the housing.



LEGEND

- | | | | |
|-----------------|--------------------|-------------------------|---------------|
| Attention Info | Confirmation Mark | Impact resistance range | Safety |
| Electrical Info | Ingress protection | Pictures/ drawings | Exclusion |
| Humidity Info | Temperature range | Power supply type | Material Type |
| Luminaries | Underwater fixture | Docs / certifications | |
| Outer housings | Pressure range | Mechanical | |