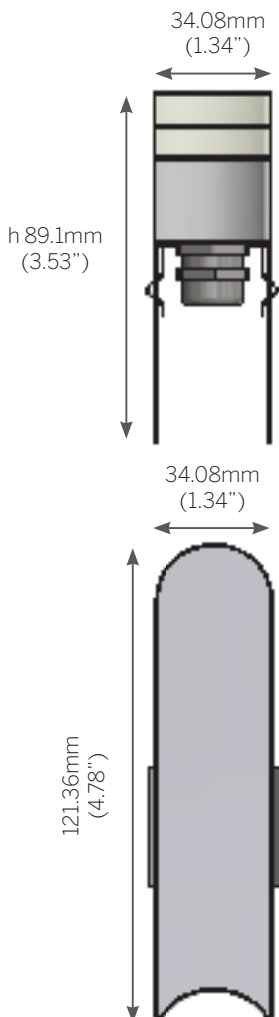


SNAKE

Specification Sheet



Linear curvable ingrade element for continuous run and flexible radius adjustment. Body in stainless steel with glass finish for trimless integration. Walk over rated.



Ordering Information¹

Model	Lenght	Power	Color Temp.	Optics	Voltage
SN	100	H	27 30 40 RGB	LL	24

¹Specify remote power supply separately below.

*SN- Min order quantity 9pcs

*Max run from single feed 6m (23')

Luminaire

- Sustainable design
- Radius, min R 314mm
- Line of even illumination
- UL STD 1598, wet location, IP67, walk over rated 500kg (1000 lb)
- Remote power supply
- Tempered glass 2x8mm thick
- Stainless steel 304 construction
- Direct concrete pour ABS installation housing
- Snap in installation with no exposed hardware
- Supplied with oil and water resistant 0.18m (7') feed cable standard
- IP67 plug and play connector

Size

- 121.36mm (4.78"), 34.08mm (1.34") 90mm H (3.54")

Power

- H - 2.3W 2700K - 4000K, 100 lm
- H - 2.3W RGB
R0.75W, G0.75W, B0.75W

Color Temperature

- 27 - 2700K
- 30 - 3000K
- 40 - 4000K
- RGB
- 2 Step MacAdam
- CRI: > 85

Optics

- LL - line of even illumination

Voltage

- 24 - 24Vdc fixture voltage

Installation housing order code

- SN335

Cable options

Jumper Cable

- 100856 - L= 0,3m
- 100855 - L= 1m

Lead Cable

- 100851 - L= 0,2m
- 100852 - L= 1m

Power Supply¹

On/Off

- 101074 - OT80 24V P
- 101402 - OT120 24V P
- 101043 - OT240 24V P

Power Supply integrated controls

- 100721 - OT80 24V DIM P (1-10V)

- 100720 - OT120 24V DIM P (1-10V)
- 101093 - OT240 24V DIM P (1-10V)

Controls

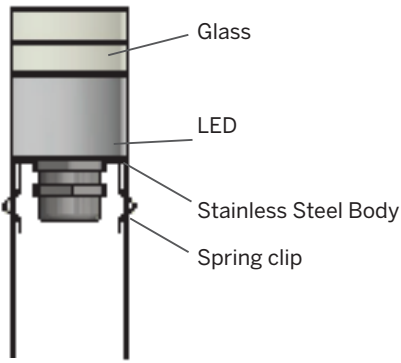
- 101046 - OT DIM 1-10V 120W
- 101047 - OTI DALI DIM 120W

SNAKE

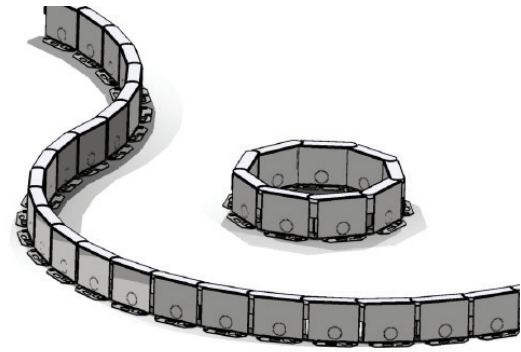
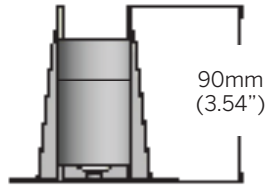
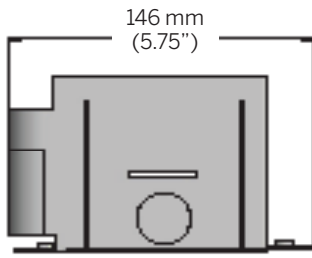
Dimensions

FILIX

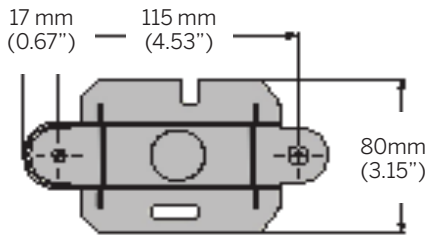
Optics Accessories



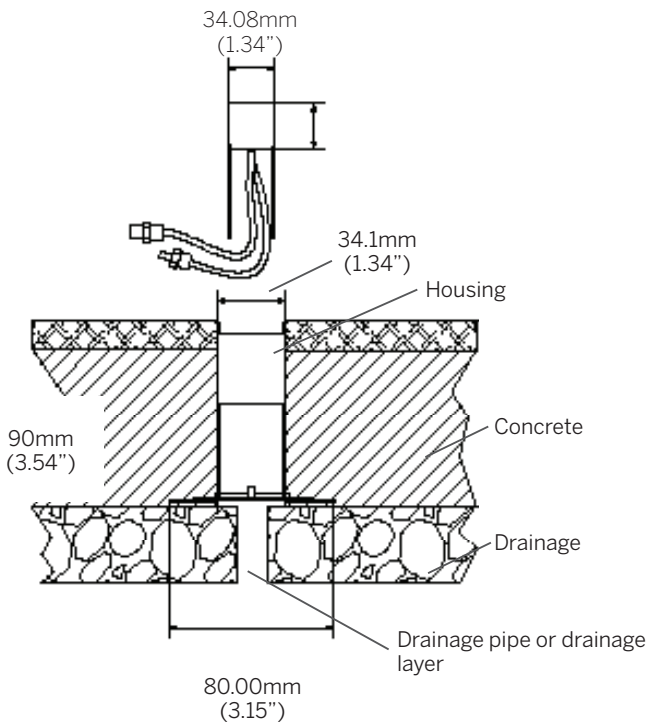
Dimensions



Fixture



Installation



Circle

