

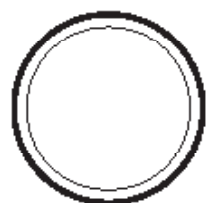
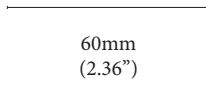
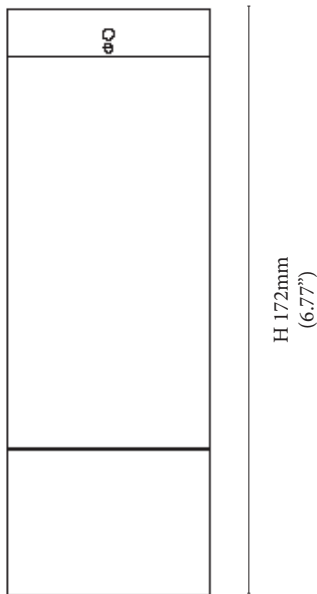
CRD60

Specification Sheet



60mm round surface downlight with high performance optics for indoor and outdoor use. Machined aluminum housing for improve heat dissipation.

Anti Glare System available in various lumen output, light distribution and accessories.



Ordering Information¹

Model	Power ²	Color Temp.	Optics	Voltage	Finish	Options
CRD60	H	27 30 40	SP NR EL FL	24	G W	C* C6 C9

¹Specify remote power supply separately below. ²H recommended for higher ambient light environs.

Luminaire

- 60mm round diameter downlight with high performance optics
- Sustainable design, replaceable LED module
- Anti Glare System
- UL STD 1598, IP67
- High performance optics
- Remote power supply
- Aluminum construction
- Supplied without cable (C*)
- Anodized + powder coating aluminium

Size

- 60mm (2.36"), 172mm H (6.77")

Power

- H = 8W 2700-4000K - 240- 540lm

Color Temperature

- 27 - 2700K
- 30 - 3000K
- 40 - 4000K
- 2 Step MacAdam
- CRI: > 85

Optics

- SP = Spot - 26°
- NR = Narrow - 42°
- EL = Elliptical - 60x10°
- FL = Flood - 68°

Voltage

- 24 - 24 Vdc fixture voltage

Finish

- G = RAL7016 (Anthracite grey structure)
- W = RAL9003 (White structure)

Options

- C* - supplied without cable
- C6 - luminaire supplied with 6m(20') feed cable
- C9 - luminaire supplied with 9m(30') feed cable

Power Supply¹

On/Off

- 101074 - OT80 24V P
- 101402 - OT120 24V P
- 101043 - OT240 24V P

Power Supply integrated controls

- 100721 - OT80 24V DIM P (1-10V)

- 100720 - OT120 24V DIM P (1-10V)
- 101093 - OT240 24V DIM P (1-10V)

Controls

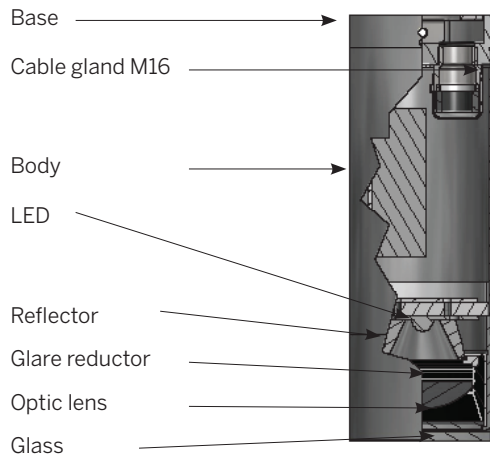
- 101046 - OT DIM 1-10V 120W
- 101047 - OTI DALI DIM 120W

CRD60

Dimensions



Optics accessories



Installation

