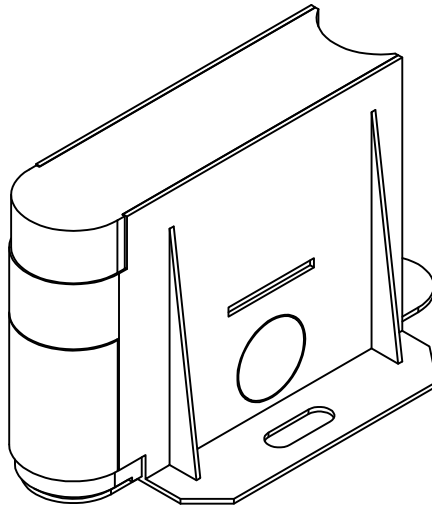


SNAKE

INSTALLATION INSTRUCTIONS (HOUSING)



IP20

ABS AF 360



ALL DIMENSIONS ARE GIVEN ACCORDING TO THE SI SYSTEM OF UNITS (MM, KG, °C), ADDITIONAL DIMENSIONS THAT ARE WRITTEN IN BRACKETS, ARE GIVEN ACCORDING TO THE U.S. MEASUREMENT SYSTEM (IN, LBS, °F)

GENERAL REMARKS ON SAFETY

- READ ALL OF THESE INSTRUCTIONS BEFORE INSTALLING THE HOUSING.
- KEEP ALL OF THE INSTRUCTIONS FOR FUTURE REFERENCE.
- INSTALLATION IS TO BE PERFORMED BY A QUALIFIED CONTRACTOR.
- ALL INSTALLATIONS ARE TO CONFORM TO THE STANDARDS OF THE NATIONAL ELECTRICAL CODE AS WELL AS ALL LOCAL JURISDICTIONAL CODES AND REGULATIONS.
- THE MANUFACTURER ACCEPTS NO RESPONSIBILITY FOR DAMAGE TO PERSONS OR PROPERTY ARISING THROUGH IMPROPER USE OR INSTALLATION.

WARRANTY

ALL PRODUCTS ARE FACTORY TESTED AND ARE GUARANTEED FREE FROM FACTORY DEFECT FOR A PERIOD OF 36 MONTHS UNDER FOLLOWING TERMS:

- PRODUCT HAS NOT BEEN SUBJECT TO INCORRECT VOLTAGE OR POLARITY CONNECTION.
- PRODUCT HAS NOT BEEN SUBJECT TO PHYSICAL OR ATMOSPHERIC DAMAGE.
- PRODUCT HAS BEEN RETURNED AND FACTORY EVALUATED FOR DEFECT OR MALFUNCTION.
- ALL DRIVERS AND CONTROLLERS ARE APPROVED FOR USE BY FILIX.
- THE HOUSING FACTORY SEAL (IP RATING) HAS NOT BEEN COMPROMISED

THE MANUFACTURER ACCEPTS NO RESPONSIBILITY FOR DAMAGE TO PERSONS OR PROPERTY ARISING THROUGH IMPROPER USE OR INSTALLATION.

ANY MODIFICATION OF THE HOUSING WILL VOID ANY AND ALL WRITTEN OR IMPLIED WARRANTIES.

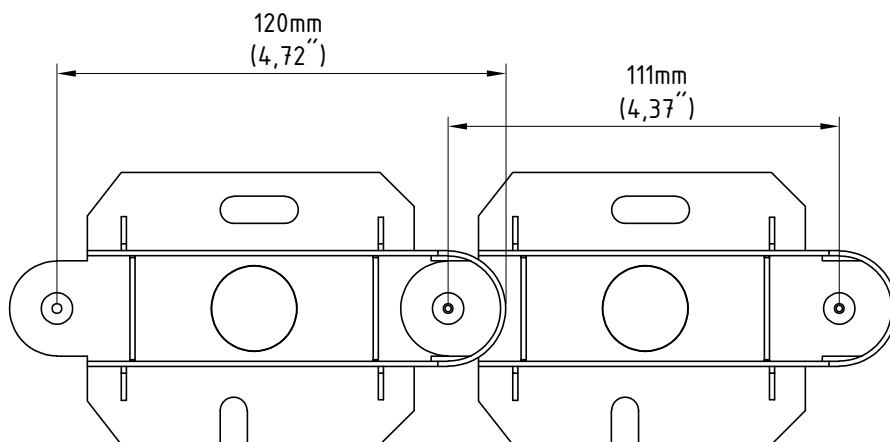
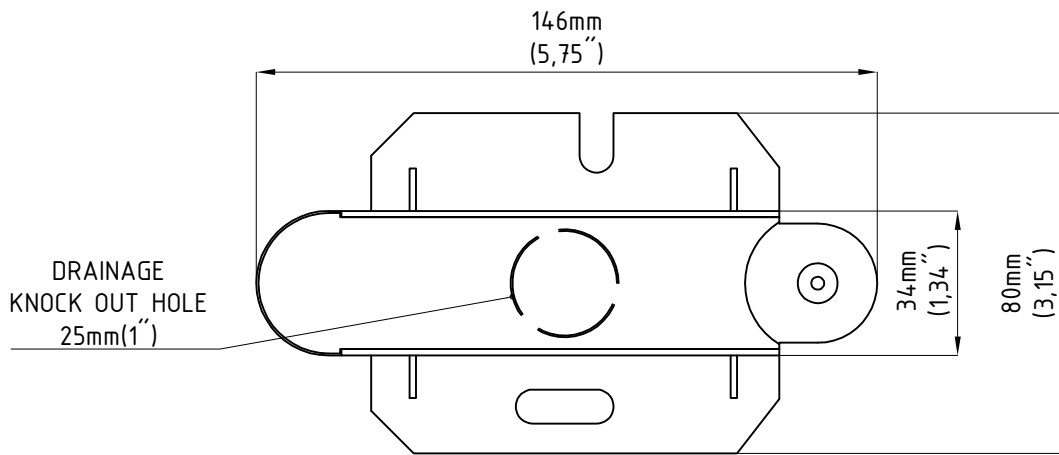
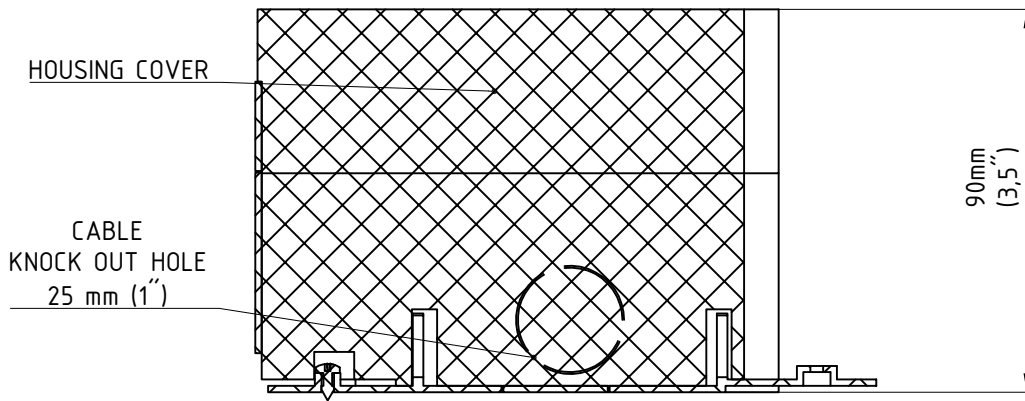
STANDARD REPLACEMENT AND NORMAL SERVICING TERMS.

ALL ELECTRONIC AND OTHER CONSUMABLE COMPONENTS ARE SUBJECT OF EXCHANGE AFTER 36 MONTHS OF OPERATIONS. PRODUCT PERFORMANCE DEPENDS OF CRITICAL ELECTRONIC AND OTHER COMPONENTS WHICH CAN BE SERVICED WITH OFFICIAL DEALER OR DIRECTLY WITH THE MANUFACTURER.

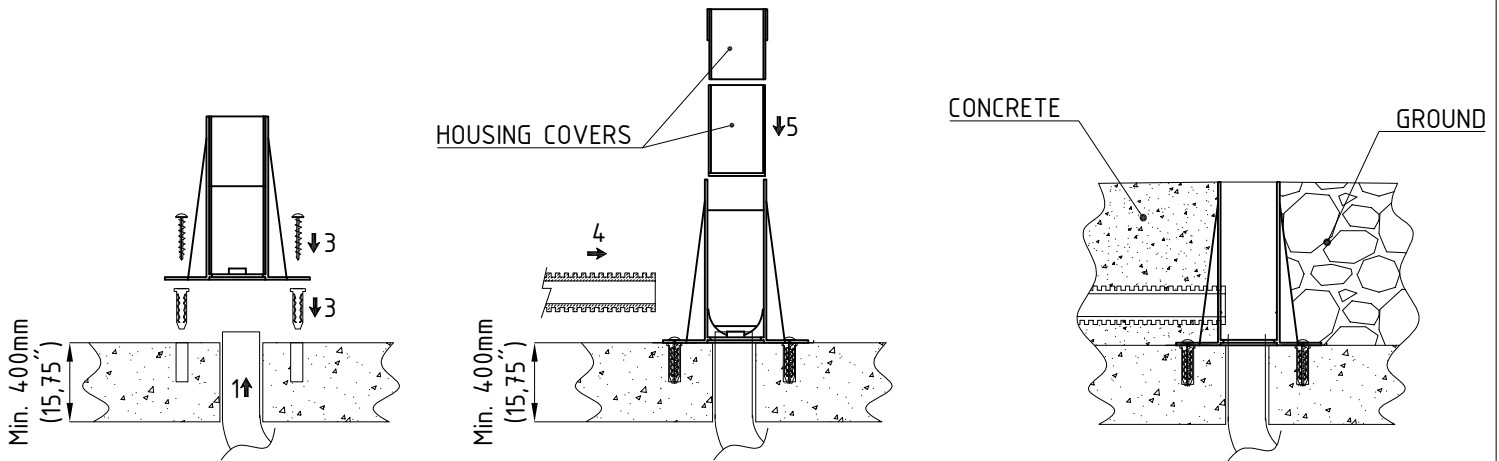
MANUFACTURER HOLDS THE RIGHT TO REPAIR AND CHANGE COMPONENTS AS PER CURRENT COMPONENT AVAILABILITY.

MANUFACTURER CANNOT BE HELD LIABLE FOR COMPONENTS AND OTHER EXPENSES (DE-INSTALLATION, INSTALLATION, SHIPPING, ETC.) INCURRED DURING THE PROCESS OF PRODUCT IMPROVEMENT AND SERVICING.

HOUSING DIMENSIONS



1. PREPARE PROPER DRAINAGE LAYER OR DRAINAGE PIPE AT INSTALLATION SITE (IT ADVISED THAT DRAINAGE LAYER IS AT LEAST 400mm (15,7''). JURISDICTIONAL CODES COULD VARY SO PLEASE CONTACT QUALIFIED CONTRACTOR BEFORE MAKING A DRAINAGE LAYER)
2. CONNECT HOUSING WITH SCREWS DIN 7981C 2,9X6,2/A2 (SCREWS SUPPLIED BY MANUFACTURER) AND SHAPE HOUSING ALIGNMENT AS NEEDED. AFTER SHAPING DRILL HOLES FOR ANCHOR 8MM (0,31'') SCREWS
3. FIX HOUSING ON TO SURFACE WITH ANCHOR AND SCREWS (PAY ATTENTION ON HOUSING ALIGNMENT) (SCREWS/ANCHOR NOT SUPPLIED BY MANUFACTURER, SCREWS SHALL BE MADE OUT OF STAINLESS STEEL (A2/AISI304))
4. INSERT CABLE CONDUIT HOSE AND ROUTE SUPPLY CABLE INSIDE THE HOUSING EVERY 30PCS
5. PLACE SAFETY COVER ON TOP
6. POUR CONCRETE OR PLACE GRAVEL/SOIL AROUND THE HOUSING



SERIAL HOUSING ARRANGEMENT

