

# SNAKE Paver

## Specification Sheet



### Ordering Information

Model	Lenght	Power	Color Temp.	Optics	Voltage
SN	100	H	27 30 40 RGBW	LL	24

\*Min order quantity 9pcs

\*Max run from single feed 7m (23')



### Application

- Architectural and landscape lighting
- Recessed floor installation
- Curved marker light
- Gravel, soil or concrete
- UL STD 1598, IP67, wet location, walk-over rated 500 kg (1100 lb)

### Luminaire

- Continuous run
- Radius, min R 314mm (12.4")
- Remote power supply
- Clear glass 2x8mm (0.1"/0.3") thick with inner opal film to create even line of light
- Stainless steel type 304 construction
- Direct concrete pour ABS installation housing
- Snap in installation with no exposed hardware
- Supplied with oil and water resistant feed cable standard
- IP67 plug and play connector
- IK10

### Color Temperature

- 27 - 2700K
- 30 - 3000K
- 40 - 4000K
- RGBW (W 3000K)
- 2 Step MacAdam
- CRI: > 85

### Optics

- LL - 120° even illumination

### Voltage

- 24 - 24VDC fixture voltage

### Installation housing

- SN335

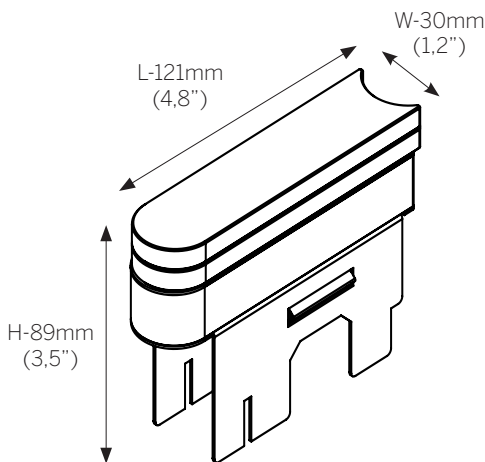
### Cable options

- Jumper Cable
- 104367 - L= 1m (3,3') single color
- Lead Cable
- 104068 - L= 1m (3,3') single color

### POWER SUPPLIES

List of proposed power supplies that are to be ordered separately. Please click [link](#) for list of available drivers.

Click [here](#) for voltage drop and distances.



### Power-Delivered lumens

- H - 2,3W, 2700K - 4000K, 80lm
- H - 2,3W, RGBW (W 3000K)

International: +385 52 255 324 [filixlighting.com](mailto:info@filixlighting.com)  
[info@filixlighting.com](mailto:info@filixlighting.com)  
 Europe/GmbH: [info@filixlighting.com](mailto:info@filixlighting.com)  
 Europe MENA: [info@filixlighting.com](mailto:info@filixlighting.com)  
 North America: [filixlighting-usa.com](mailto:info@filixlighting.com) [info@filixlighting.com](mailto:info@filixlighting.com)

Filix reserves the right to make technical changes without notice.

# SNAKE Paver

## Dimensions

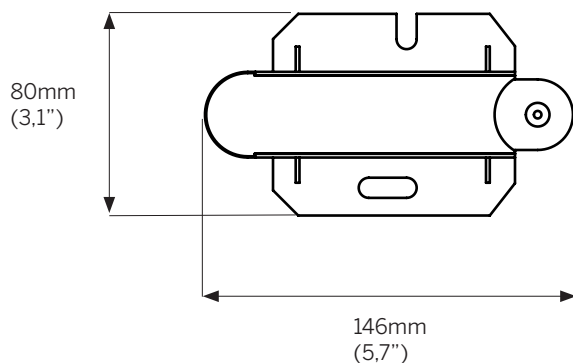
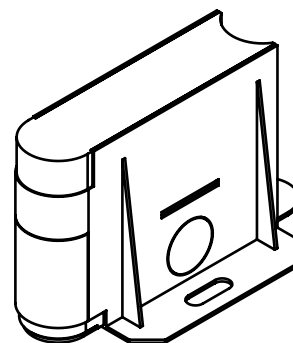
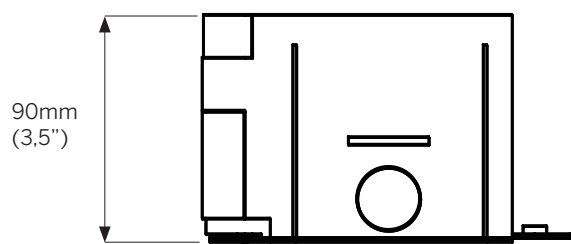


### Note:

For details on specific depths, tiling thickness and other please refer to both Installation instructions for fixture and housing.

### Installation housing - SN355

Installation details



International: +385 52 255 324 [filixlighting.com](http://filixlighting.com)  
[info@filixlighting.com](mailto:info@filixlighting.com)  
Europe/GmbH: [info@filixlighting.com](mailto:info@filixlighting.com)  
Europe MENA: [info@filixlighting.com](mailto:info@filixlighting.com)  
North America: [filixlighting-usa.com](http://filixlighting-usa.com) [info@filixlighting.com](mailto:info@filixlighting.com)

Filix reserves the right to make technical changes without notice.