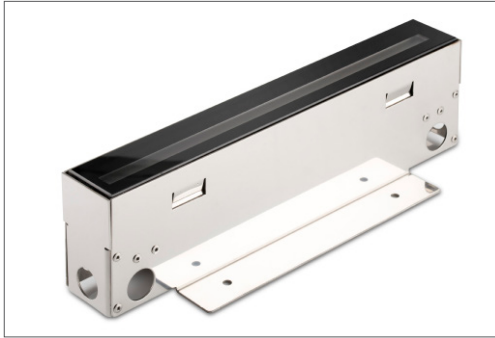


ZERO G

Specification Sheet



Ordering Information						
Model	Length	Power	Color Temp.	Optics	Voltage	Options
ZG	174 324 624 1224	H	27 30 40 TW	GR	24	



Application

- Architectural and landscape lighting
- Large interior lobby spaces
- Recessed floor installation
- Gravel, soil or concrete
- UL STD 1598, IP67, Wet location, drive over rated 1500 kg (3300 lb)

Luminaire

- Continuous run of standard lengths
- Remote power supply
- Stainless steel type 304 body
- Snap in installation with no exposed hardware
- Installation housing, stainless steel type 304 construction, direct concrete pour
- Supplied with oil and water resistant 1m (3,3') feed cable as standard
- IK10, Tempered glass, crystal clear 10mm (3/8") thick

Color Temperature

- 27 - 2700K
- 30 - 3000K
- 40 - 4000K
- TW - 2200K - 4000K
- 2 Step MacAdam
- CRI: > 85

Optics

- GR - Graze 10°x50°

Voltage

- 24 - 24VDC fixture voltage

Installation housing

- ZG174 - 174mm (6,9")
- ZG324 - 324mm (12,8")
- ZG624 - 624mm (24,6")
- ZG1224 - 1224mm (48,2")

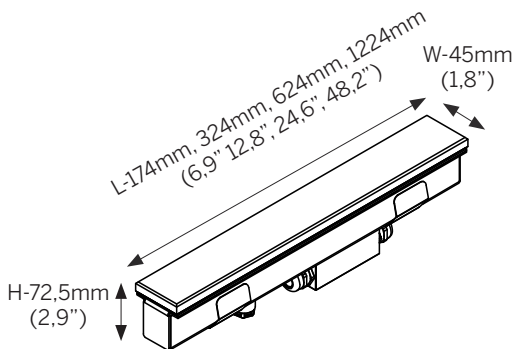
Accessories

- 103186 - IP68 Incoming connection connector THB.387.A2A.L
- 103591 - Sealing cap for end connector

POWER SUPPLIES

List of proposed power supplies that are to be ordered separately. Please click [link](#) for list of available drivers.

Click [here](#) for voltage drop and distances.



Length

- 174mm (6,9")
- 324mm (12,8")
- 624mm (24,6")
- 1224mm (48,2")

Optimal fixture positioning

- 50mm-100mm (2"- 3,9") from wall - wall height 7m (23')
- Max. 50mm between fixtures for continuous light effect

Power - Delivered lumens

- H - 39W/m, 720lm/m

*12m (39.37') continuous run from one power supply
(6m (19.69') left + 6m (19.69') right)

International: +385 52 255 324 filixlighting.com
info@filixlighting.com
 Europe/GmbH: info@filixlighting.com
 Europe MENA: info@filixlighting.com
 North America: filixlighting-usa.com info@filixlighting.com

Filix reserves the right to make technical changes without notice.

ZERO G

Dimensions

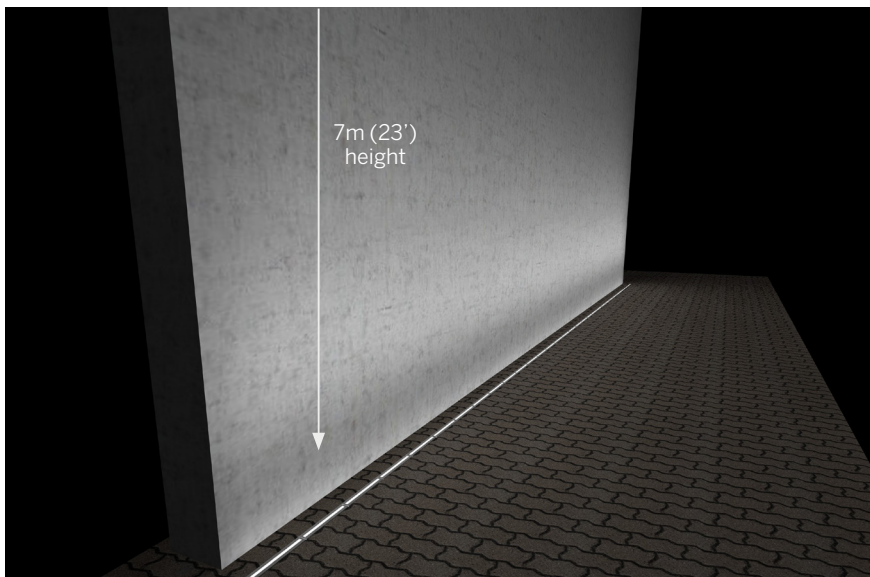
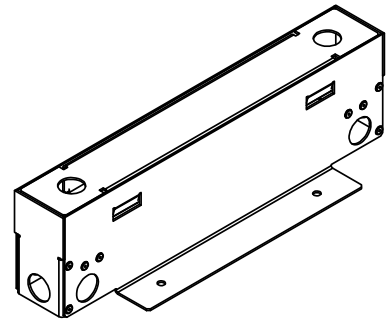
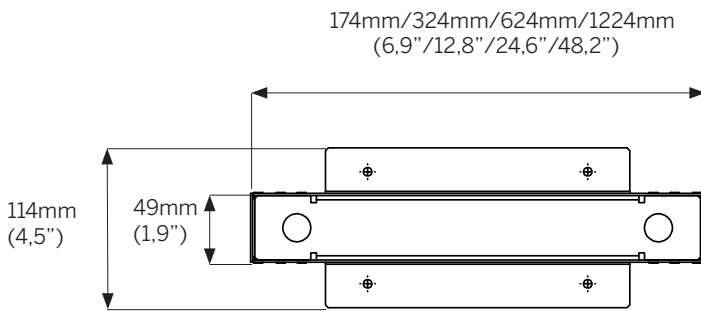
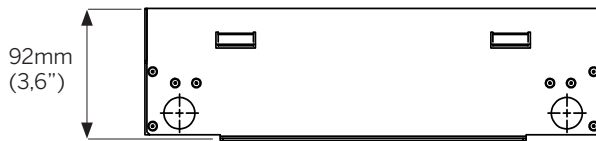


Note:

For details on specific depths, tiling thickness and other please refer to both Installation instructions for fixture and housing.

Installation housing - ZG174 / ZG324 / ZG624 / ZG1224

Installation details



*from 50mm (2") to 100mm (4") distance from the wall for best grazing performance.
*up to 50mm (2") distance between fixtures for continuous line of light

International: +385 52 255 324 filixlighting.com

info@filixlighting.com

Europe/GmbH: info@filixlighting.com

Europe MENA: info@filixlighting.com

North America: filixlighting-usa.com info@filixlighting.com

Filix reserves the right to make technical changes without notice.