

# SQP100 Paver

## Specification Sheet



### Ordering Information

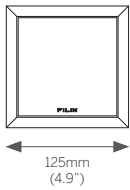
Model	Installation	Power <sup>2</sup>	Color Temp.	Optics	Voltage	Options
SQP100	TM TS	L H	27 30 40 RGBW	LL	24	C* C3 C6 C9



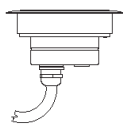
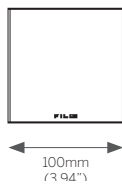
### Application

Square LED marker light for outdoor and indoor use. Stainless steel housing with flush satin tempered glass lens for trimless integration into floor surface. Drive over rated.

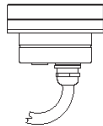
#### Trim (TM)



#### Trimless (TS)



80mm (3.14")



### Luminaire

- Sustainable design, replaceable LED module
- IP67, UL STD 1598, wet location
- Drive over rated 1500 kg (3000 lb)
- Remote power supply
- Satin tempered glass 5/8" (15mm) thick, with inner opal film to create marker light
- ABS/Stainless steel fixture body, direct concrete pour housing
- Snap in installation with no exposed hardware
- Supplied with oil and water resistant 0.3m (1') feed cable standard (C\*), single color 2x1mm<sup>2</sup> (18AWG)

### Size

- 3.94" (100mm), 4.7" H (120mm)
- 4.9" (125mm), 4.7" H (120mm)

### Installation

- Trim (TM)
- Trimless (TS)

### Power

- L - 2.9W 3000K - 4000K, 190 lm
- H - 4.8W 3000K - 4000K, 360 lm

### Color Temperature

- 27 - 2700K
- 30 - 3000K
- 40 - 4000K
- RGBW
- 2 Step MacAdam
- CRI: > 85

### Optics

- LL - even illumination

### Voltage

- 24 - 24Vdc fixture voltage

### Options

- C\* - standard feed cable 0.3m (1')
- C3 - luminaire supplied with 3m (10') feed cable
- C6 - luminaire supplied with 6m (20') feed cable
- C9 - luminaire supplied with 9m (30') feed cable

### Installation housing order codes

- SQ100C - Trim
- SQ100T - Trimless

### Power Supply

#### On/Off

103233 - OT60 24V P  
103196 - OT130 24V P  
103234 - OT250 24V P

#### Power Supply integrated controls

102345 - ELDOLED Linear 100S (DXM,DALI+PS)  
103502 - OT 210/220-240/1-4CH - DALI  
103507 - OT250/220...240/24V DIM P (1-10V)

Click [here](#) for voltage drop and distances.

International: +385 52 255 324 [filixlighting.com](http://filixlighting.com) [info@filixlighting.com](mailto:info@filixlighting.com)  
Europe/GmbH: [info@filixlighting.com](mailto:info@filixlighting.com)  
Europe MENA: [info@filixlighting.com](mailto:info@filixlighting.com)  
North America: [filixlighting.com](http://filixlighting.com) [info@filixlighting.com](mailto:info@filixlighting.com)

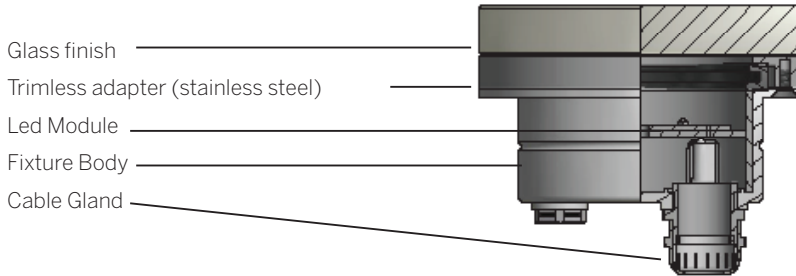
Filix reserves the right to make technical changes without notice.

# SQP100 Paver

Dimensions



Optics Accessories

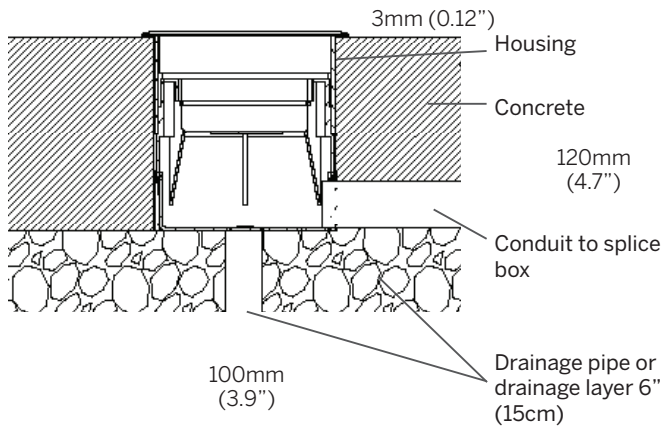


Floor - Concrete/Tiles

## Installation Housing

### Trim (TM)

125mm  
(4.9")



### Trimless (TS)

100mm  
(3.9")

