

RDW35 Wall Wash

Specification Sheet



| Ordering Information | | | | | | |
|----------------------|--------------|-------|-------------|--------|---------|----------|
| Model | Installation | Power | Color Temp. | Optics | Voltage | Options |
| RDW35 | TM TS | L | 27 | WW | 24 | C* |
| | | | 30 | | | C3 |
| | | H | 40 | | | C6 C9 |

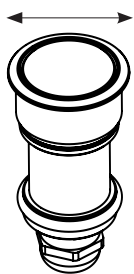


Application

- Architectural and landscape lighting
- Recessed floor installation
- Gravel, soil or concrete
- Wall wash
- UL STD 1598, IP67, Wet location, drive over rated 1500 kg (3300 lb)

Trim (TM)

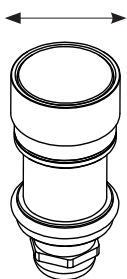
Ø45mm
(Ø1.8")



H-80,5mm
(3.2")

Trimless (TS)

Ø39mm
(Ø1.5")



H-80,5mm
(3.2")

Luminaire

- Sustainable design, replaceable LED module
- AGS - Anti Glare System
- High performance optics
- Remote power supply
- Clear tempered glass 10mm (3/8") thick
- Aluminium construction fixture body
- Stainless steel type 304 flange
- Snap in installation with no exposed hardware
- Supplied with oil and water resistant 0,3m (1') feed cable as standard
- IK10

Installation

- Trim (TM)
- Trimless (TS)

Power - Delivered lumens

- L - 1,2W, 2700K - 4000K, 14 lm
- H - 3W, 2700K - 4000K, 32 lm

Color Temperature

- 27 - 2700K
- 30 - 3000K
- 40 - 4000K
- 2 Step MacAdam
- CRI: > 85

Optics

- WW - Wall Wash - 26°x37°, tilt 14°

Voltage

- 24 - 24VDC fixture voltage

Options

- C* - standard feed cable 0,3m (1')
- C3 - luminaire supplied with 3m (10') feed cable
- C6 - luminaire supplied with 6m (20') feed cable
- C9 - luminaire supplied with 9m (30') feed cable

Installation housing

- RD35C - Concrete
- RD35T - Tiles

POWER SUPPLIES

List of proposed power supplies that are to be ordered separately. Please click [link](#) for list of available drivers.

Click [here](#) for voltage drop and distances.

International: +385 52 255 324 filixlighting.com
info@filixlighting.com

Europe/GmbH: info@filixlighting.com

Europe MENA: info@filixlighting.com

North America: filixlighting-usa.com info@filixlighting.com

Filix reserves the right to make technical changes without notice.

RDW35 Wall Wash

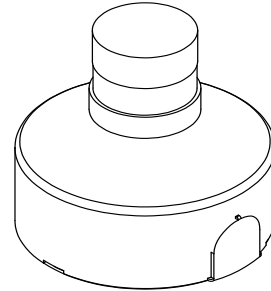
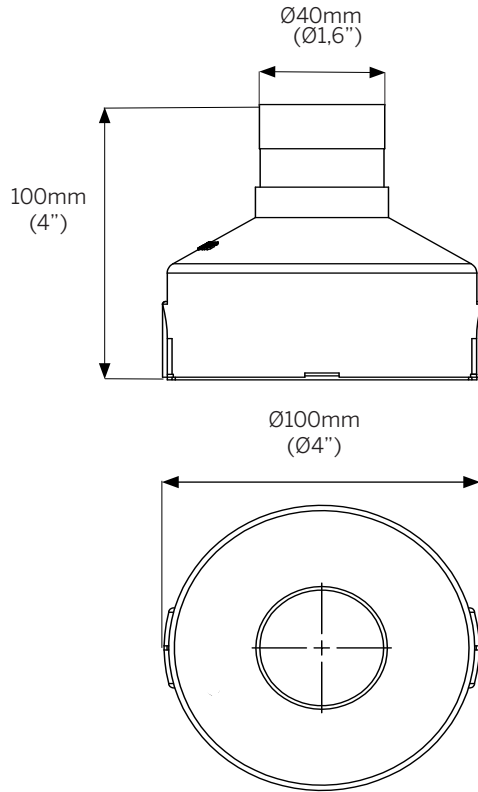
Dimensions



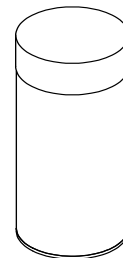
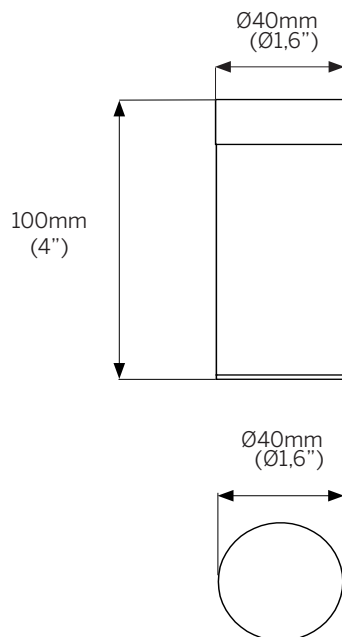
Note:
For details on specific depths, tiling thickness and other please refer to both Installation instructions for fixture and housing.

Installation housing - RD35C - Concrete installation

Installation details



Installation housing - RD35T - Tiles installation



International: +385 52 255 324 filixlighting.com
info@filixlighting.com
Europe/GmbH: info@filixlighting.com
Europe MENA: info@filixlighting.com
North America: filixlighting-usa.com info@filixlighting.com

Filix reserves the right to make technical changes without notice.