

RDT60 Tilt Adjustable 20

Specification Sheet



Ordering Information

Model	Installation	Power	Color Temp.	Optics	Voltage	Options
RDT60	TM TS	H	27 30 40	SP FL	24	C* C3 C6 C9

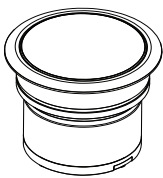


Application

- Architectural and landscape lighting
- Recessed floor installation
- Gravel, soil or concrete
- Adjustable beam 20 degrees
- UL STD 1598, IP67, Wet location, drive over rated 1500kg (3300 lb)

Trim (TM)

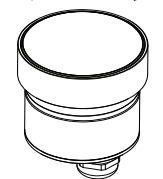
Ø75 mm
(2.9")



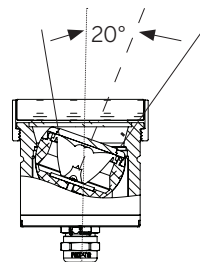
h78 mm
(3.1")

Trimless (TS)

Ø64 mm
(2.5")



h78 mm
(3.1")



Luminaire

- Sustainable design, replaceable LED module
- Tilt adjustable system
- High performance optics
- Remote power supply
- Clear tempered glass 10mm (3/8") thick
- Aluminium construction fixture body
- Stainless steel type 304 flange
- Snap in installation with no exposed hardware
- Supplied with oil and water resistant 0.3m (1') feed cable standard
- IK10

Installation

- Trim (TM)
- Trimless (TS)

Power - Delivered lumens

- H - 6W, 2700K - 4000K, 450 lm

Color Temperature

- 27 - 2700K
- 30 - 3000K
- 40 - 4000K
- 2 Step MacAdam
- CRI: > 85

Optics

- SP - Spot - 14°
- FL - Flood - 31°

Voltage

- 24 - 24VDC fixture voltage

Options

- C* - standard feed cable 0.3m (1')
- C3 - luminaire supplied with 3m (10') feed cable
- C6 - luminaire supplied with 6m (20') feed cable
- C9 - luminaire supplied with 9m (30') feed cable

Installation housing

- RD60C - Concrete
- RD60T - Tiles

POWER SUPPLIES

List of proposed power supplies that are to be ordered separately. Please click [link](#) for list of available drivers. Click [here](#) for voltage drop and distances.

International: +385 52 255 324 filixlighting.com info@filixlighting.com
 Europe/GmbH: info@filixlighting.com
 Europe MENA: info@filixlighting.com
 North America: filixlighting-usa.com info@filixlighting.com

Filix reserves the right to make technical changes without notice.

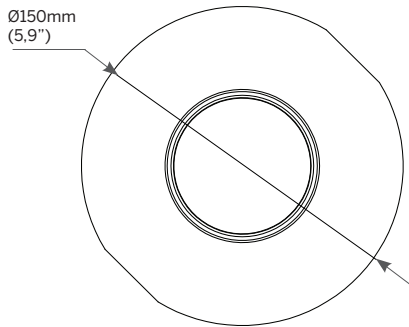
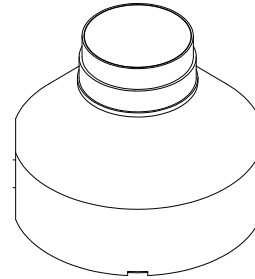
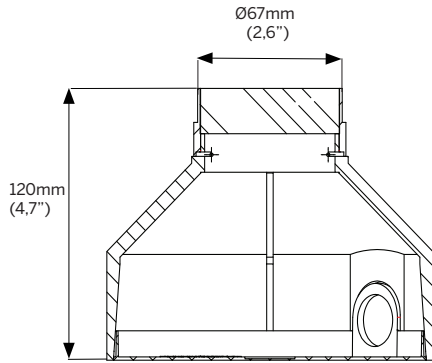
RDT60 Tilt Adjustable 20

Dimensions

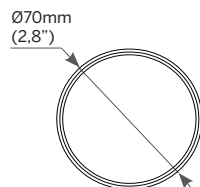
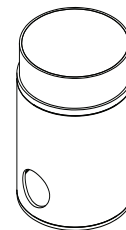
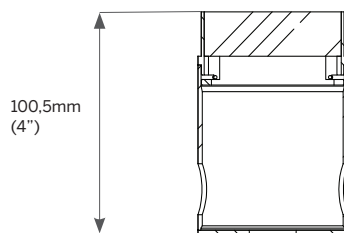


Installation housing -RD60C - Concrete installation

Installation housing



Installation housing -RD60T - Tiles installation



International: +385 52 255 324 filixlighting.com
info@filixlighting.com
Europe/GmbH: info@filixlighting.com
Europe MENA: info@filixlighting.com
North America: filixlighting-usa.com info@filixlighting.com

Filix reserves the right to make technical changes without notice.