

RDP35 Paver

Specification Sheet



Ordering Information						
Model	Installation	Power	Color Temp.	Optics	Voltage	Options
RDP35	TM TS	L	27 30 40	LL	24	C* C3 C6 C9
		H				



Application

- Marker light
- Architectural and landscape lighting
- Recessed floor installation
- Gravel, soil or concrete
- UL STD 1598, IP67, Wet location, drive over rated 1500 kg (3300 lb)

Luminaire

- Sustainable design, replaceable LED module
- Remote power supply
- Sandblasted tempered glass 10mm(3/8") thick thick, with inner opal film to create marker light
- Aluminium construction fixture body
- Stainless steel type 304 flange
- Snap in installation with no exposed hardware
- Supplied with oil and water resistant 0,3m (1') feed cable standard
- IK10

Color Temperature

- 27 - 2700K
- 30 - 3000K
- 40 - 4000K
- 2 Step MacAdam
- CRI: > 85

Optics

- LL - 120° even illumination

Voltage

- 24 - 24VDC fixture voltage

Options

- C* - standard feed cable 0,3m (1')
- C3 - luminaire supplied with 3m (10') feed cable
- C6 - luminaire supplied with 6m (20') feed cable
- C9 - luminaire supplied with 9m (30') feed cable

Installation

- Trim (TM)
- Trimless (TS)

Power -Delivered lumens

- L - 1,2W, 2700K - 4000K, 26 lm
- H - 3W, 2700K - 4000K, 65 lm

Installation housing

- RD35C - Concrete
- RD35T - Tiles

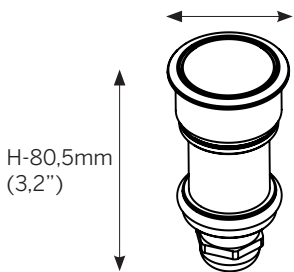
POWER SUPPLIES

List of proposed power supplies that are to be ordered separately. Please click [link](#) for list of available drivers.

Click [here](#) for voltage drop and distances.

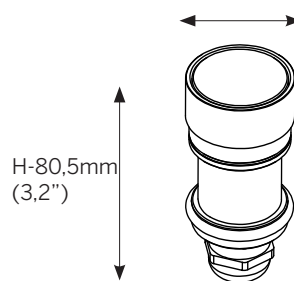
Trim (TM)

Ø45mm
(Ø1,8")



Trimless (TS)

Ø39mm
(Ø1,5")



International: +385 52 255 324 filixlighting.com
info@filixlighting.com
 Europe/GmbH: info@filixlighting.com
 Europe MENA: info@filixlighting.com
 North America: filixlighting-usa.com info@filixlighting.com

Filix reserves the right to make technical changes without notice.

RDP35 Paver

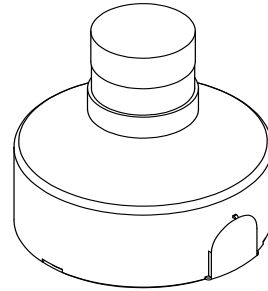
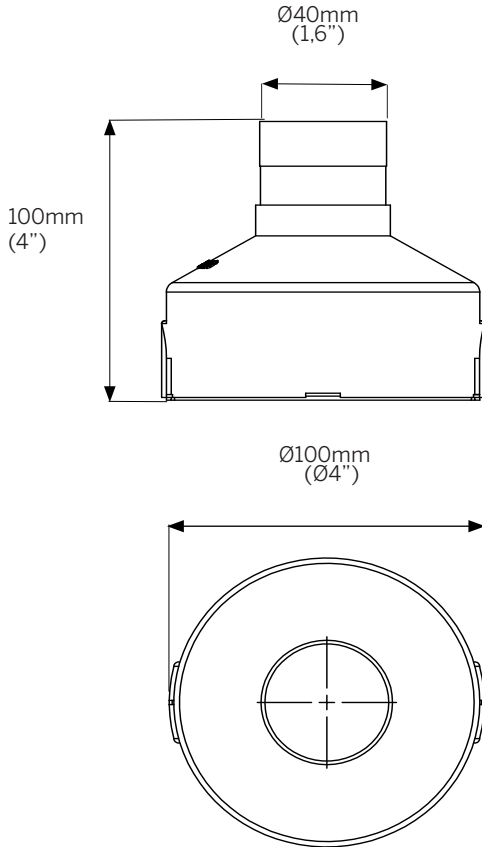
Dimensions



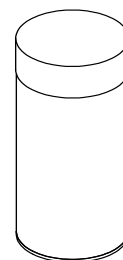
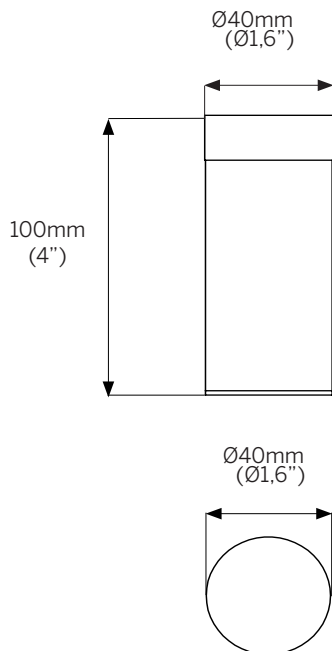
Note:
For details on specific depths, tiling thickness and other please refer to both Installation instructions for fixture and housing.

Installation housing - RD35C - Concrete installation

Installation details



Installation housing - RD35T - Tiles installation



International: +385 52 255 324 filixlighting.com
info@filixlighting.com
Europe/GmbH: info@filixlighting.com
Europe MENA: info@filixlighting.com
North America: filixlighting-usa.com info@filixlighting.com

Filix reserves the right to make technical changes without notice.