

# RDD60 Deco

## Specification Sheet



### Ordering Information<sup>1</sup>

Model	Installation	Power	Color Temp.	Optics	Voltage	Options
RDD60	TM TS	H	27 30 40	SP FL W	24	C* C3 C6 C9

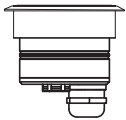


### Application

- Architectural and landscape lighting
- Recessed (floor/wall) installation
- Gravel, soil or concrete
- UL STD 1598, IP67, Wet location

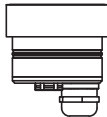
### Trim (TM)

ø 75mm  
(2.95")



### Trimless (TS)

ø 60mm  
(2.4")



h 70mm  
(2.7")

### Luminaire

- Sustainable design
- AGS - Anti Glare System
- Regressed led
- High performance optics
- IP67, UL STD 1598, wet location
- Drive over rated 1500 kg (3300 lb)
- Remote power supply
- Clear tempered glass
- Aluminium construction fixture body, direct concrete pour housing.
- Stainless steel flange
- Snap in installation with no exposed hardware
- Supplied with oil and water resistant 0.3m (1') feed cable standard (C\*), single color 2x1mm<sup>2</sup> (18AWG)
- IK09

### Size

- ø 75mm (2.95"), H 120mm (4") / (100mm)
- ø 60mm (2.4"), H 120mm (4") / (100mm)

### Installation

- Trim (TM)
- Trimless (TS)

### Power - Delivered lumens

- H - 6W 2700K-4000K - 450 lm

### Color Temperature

- 27 - 2700K
- 30 - 3000K
- 40 - 4000K
- 2 Step MacAdam
- CRI: > 85

### Optics

- SP - Spot - 14°
- FL - Flood - 31°
- W - Wide - 50°

### Voltage

- 24 - 24Vdc fixture voltage

### Options

- C\* - standard feed cable 0.3m (1')
- C3 - luminaire supplied with 3m (10') feed cable
- C6 - luminaire supplied with 6m (20') feed cable
- C9 - luminaire supplied with 9m (30') feed cable

### Installation housing order codes

- RD60C - Concrete
- RD60T - Tiles

### Power Supply

#### On/Off

103233 - OT60 24V P  
103196 - OT130 24V P  
103234 - OT250 24V P

#### Power Supply integrated controls

102345 - ELDOLED Linear 100S (DXM,DALI+PS)  
103502 - OT 210/220-240 /1-4CH - DALI  
103507 - OT250/220...240/ 24V DIM P (1-10V)

International: +385 52 255 324 filixlighting.com info@filixlighting.com  
Europe/GmbH: info@filixlighting.com  
Europe MENA: info@filixlighting.com  
North America: filixlighting.com info@filixlighting.com

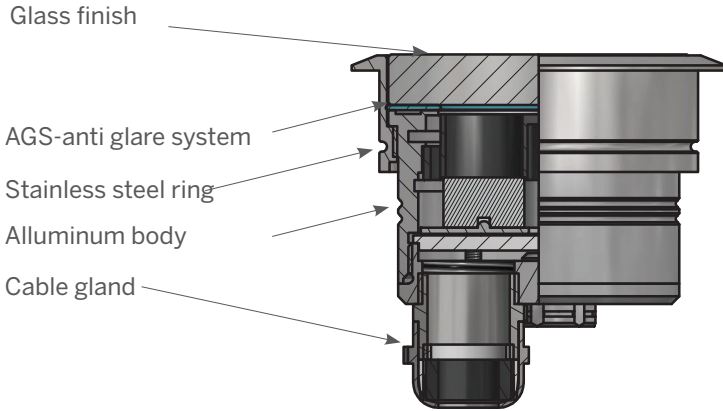
Click [here](#) for voltage drop and distances.

# RDD60 Deco

Dimensions

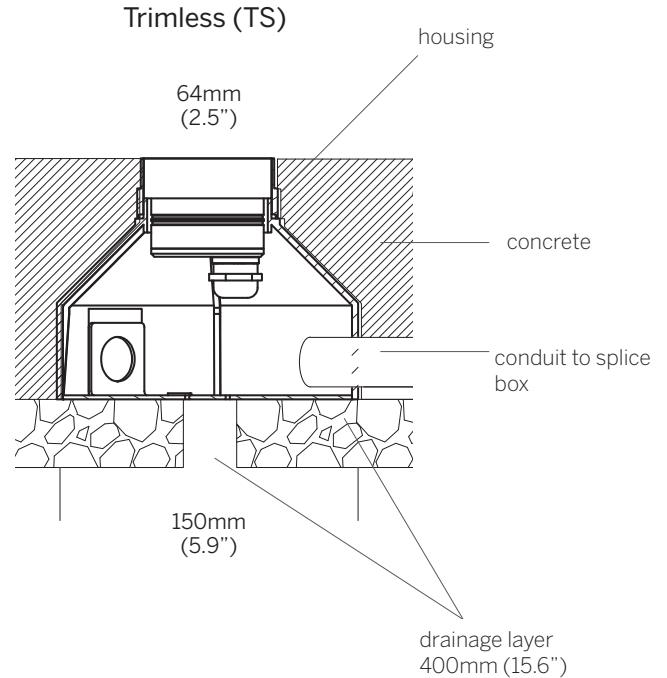
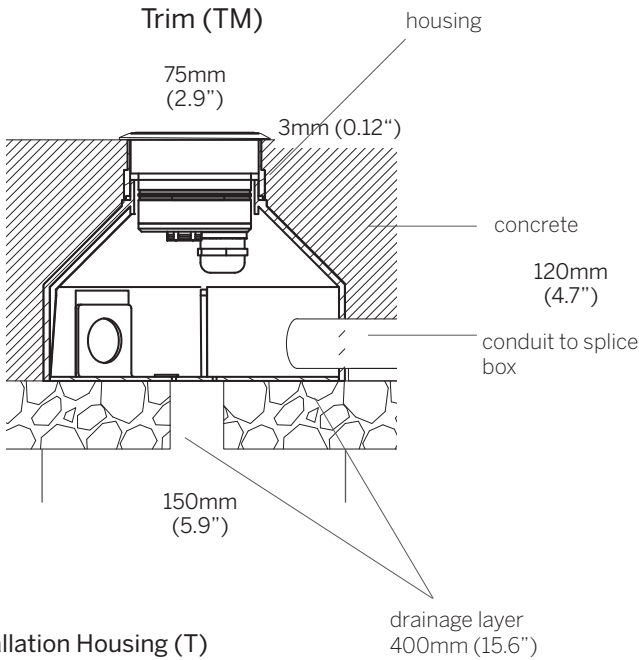


Optics Accessories



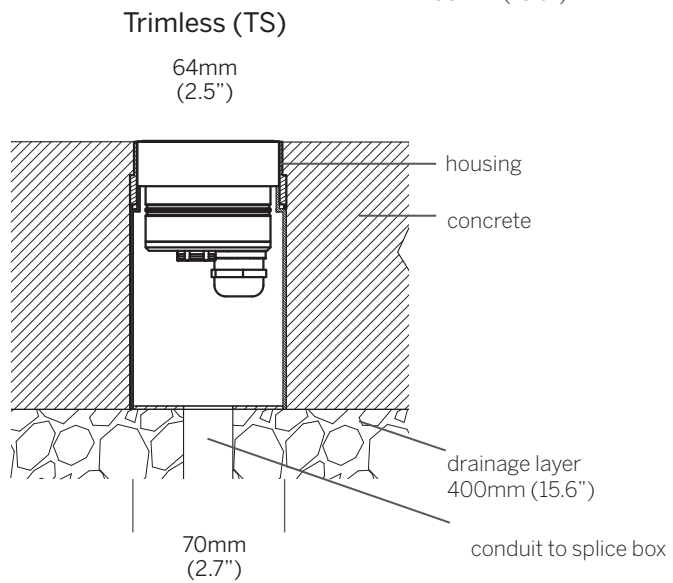
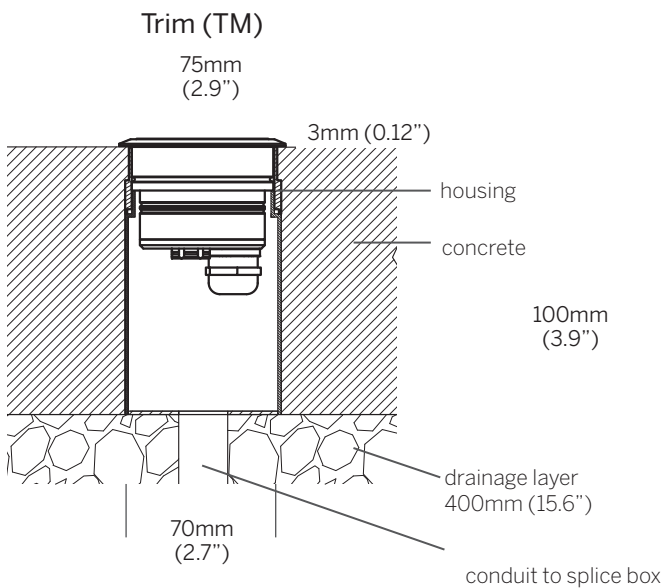
Floor - Concrete

## Concrete Installation Housing (C)



Floor - Tiles

## Tiles Installation Housing (T)



International: +385 52 255 324 [filixlighting.com](http://filixlighting.com) [info@filixlighting.com](mailto:info@filixlighting.com)  
 Europe/GmbH: [info@filixlighting.com](mailto:info@filixlighting.com)  
 Europe MENA: [info@filixlighting.com](mailto:info@filixlighting.com)  
 North America: [filixlighting.com](http://filixlighting.com) [info@filixlighting.com](mailto:info@filixlighting.com)

Filix reserves the right to make technical changes without notice.