

RDD35 Deco

Specification Sheet



Ordering Information¹

Model	Installation	Power	Color Temp.	Optics	Voltage	Options
RDD35					24	
RDD35	TM TS	L H	27 30 40	SP FL GR	24	C* C3 C6 C9

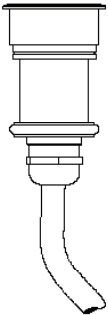


Application

- Architectural and landscape lighting
- Recessed (floor/wall) installation
- Gravel, soil or concrete
- UL STD 1598, IP67, Wet location

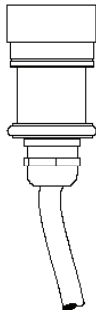
Trim (TM)

1.77" \varnothing
(45mm)



Trimless (TS)

1.53" \varnothing
(39mm)



h 3.05"
(78mm)

Luminaire

- Sustainable design, replaceable LED module
- Regressed led - glare reduction
- High performance optics
- IP67, UL STD 1598, wet location, drive over-rated 1500 kg (3000 lb)
- Remote power supply
- Clear tempered glass
- Aluminium construction fixture body, direct concrete pour housing
- Stainless steel flange
- Snap in installation with no exposed hardware
- Supplied with oil and water resistant 0.3m (0,82') feed cable standard, single color 2x0,82mm² (18AWG)
- IK09

Size

- 39mm \varnothing (1.53"), 100mm H (4")
- 45mm \varnothing (1.77"), 100mm H (4")

Installation

- Trim (TM)
- Trimless (TS)

Power - Delivered lumens

- L - 1,2W 2700 - 4000K - 68 lm
- H - 3W 2700 - 4000K - 186 lm

Color Temperature

- 27 - 2700K
- 30 - 3000K
- 40 - 4000K
- 2 Step MacAdam
- CRI: > 85

Optics

- SP - Spot - 17°
- FL - Flood - 41°
- GR - Graze - 13° x 41°

Voltage

- 24 - 24Vdc fixture voltage

Options

- C* - standard feed cable 0.3m (1')
- C3 - luminaire supplied with 3m (10') feed cable
- C6 - luminaire supplied with 6m (20') feed cable
- C9 - luminaire supplied with 9m (30') feed cable

Installation housing order codes

- RD35C - Concrete
- RD35T - Tiles

Power Supply

On/Off

103233 - OT60 24V P
103196 - OT130 24V P
103234 - OT250 24V P

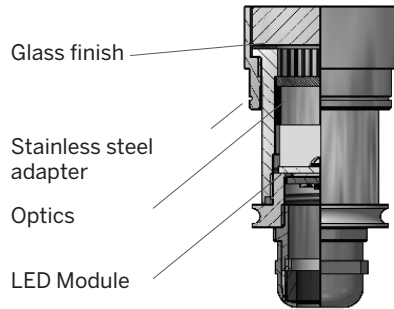
Power Supply integrated controls

102345 - ELDOLED Linear 100S (DXM,DALI+PS)
103502 - OT 210/220-240 /1-4CH - DALI
103507 - OT250/220...240/ 24V DIM P (1-10V)

International: +385 52 255 324 filixlighting.com info@filixlighting.com
Europe/GmbH: info@filixlighting.com
Europe MENA: info@filixlighting.com
North America: filixlighting.com info@filixlighting.com

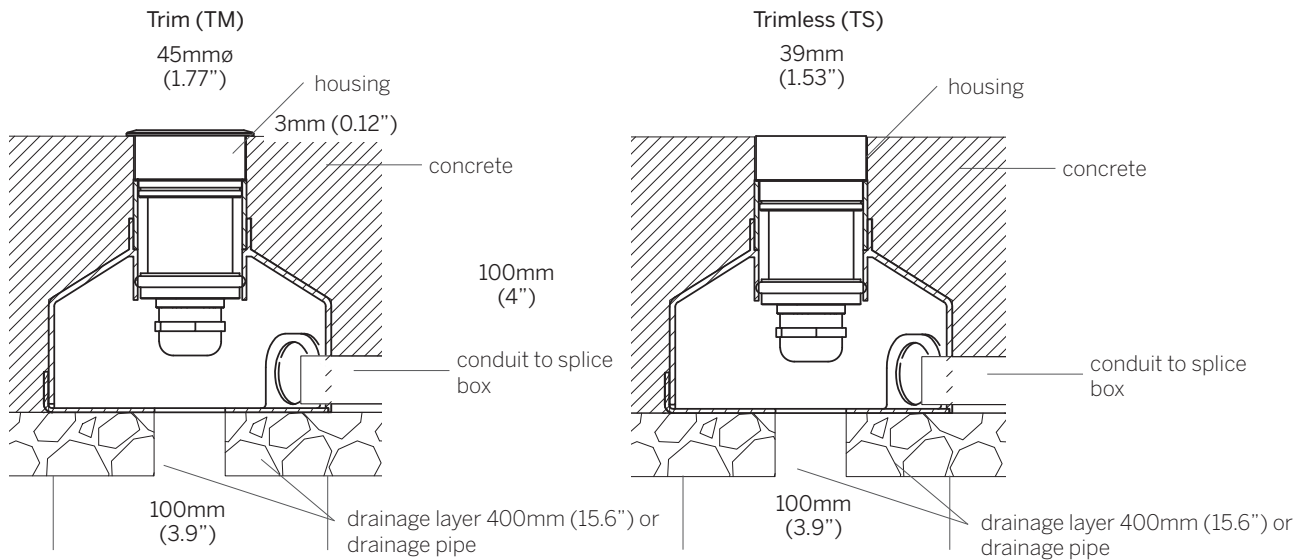
Click [here](#) for voltage drop and distances.

Optics Accessories



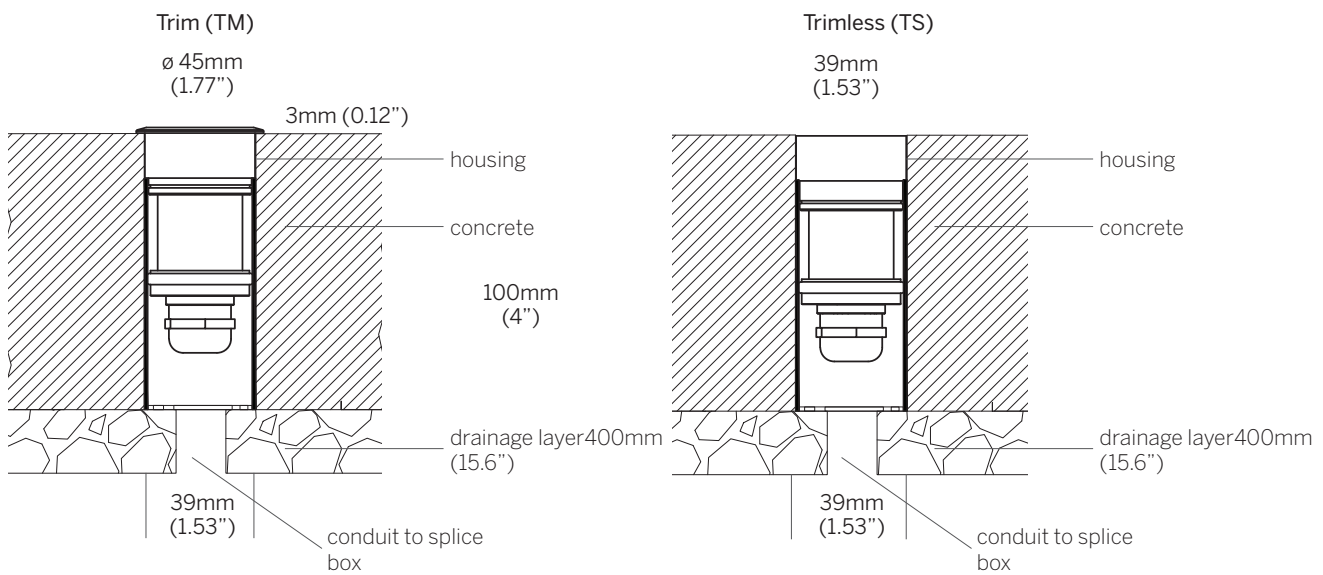
Floor - Concrete

Concrete Installation Housing (C)



Floor - Tiles

Tiles Installation housing (T)



International: +385 52 255 324 filixlighting.com info@filixlighting.com
 Europe/GmbH: info@filixlighting.com
 Europe MENA: info@filixlighting.com
 North America: filixlighting.com info@filixlighting.com

Filix reserves the right to make technical changes without notice.