

RDD35 Deco

Specification Sheet



Ordering Information						
Model	Installation	Power	Color Temp.	Optics	Voltage	Options
RDD35	TM	L	27	SP FL GR	24	C* C3 C6 C9
	TS	H	30 40			



Application

- Architectural and landscape lighting
- Recessed floor installation
- Gravel, soil or concrete
- UL STD 1598, IP67, Wet location, drive over rated 1500 kg (3300 lb)

Luminaire

- Sustainable design, replaceable LED module
- AGS - Anti glare system
- Regressed led - glare reduction
- High performance optics
- Remote power supply
- Clear tempered glass 10mm (3/8") thick
- Aluminium construction fixture body
- Stainless steel type 304 flange
- Snap in installation with no exposed hardware
- Supplied with oil and water resistant 0.3m (1') feed cable standard
- IK10

Color Temperature

- 27 - 2700K
- 30 - 3000K
- 40 - 4000K
- 2 Step MacAdam
- CRI: > 85

Optics

- SP - Spot - 17°
- FL - Flood - 41°
- GR - Graze - 13° x 41°

Voltage

- 24 - 24VDC fixture voltage

Options

- C* - standard feed cable 0.3m (1')
- C3 - luminaire supplied with 3m (10') feed cable
- C6 - luminaire supplied with 6m (20') feed cable
- C9 - luminaire supplied with 9m (30') feed cable

Installation

- Trim (TM)
- Trimless (TS)

Power - Delivered lumens

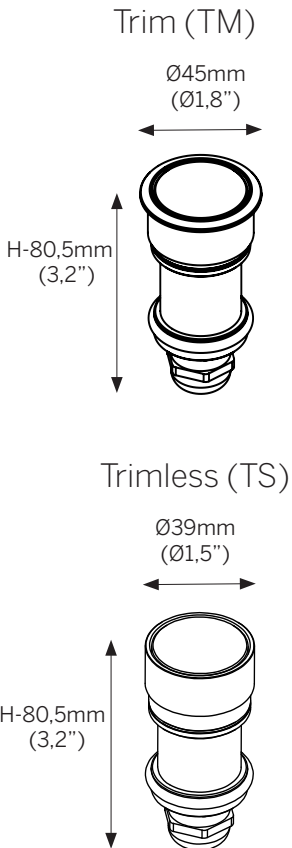
- L - 1,2W, 2700K - 4000K - 68 lm
- H - 3W, 2700K - 4000K - 186 lm

Installation housing

- RD35C - Concrete
- RD35T - Tiles

POWER SUPPLIES

List of proposed power supplies that are to be ordered separately. Please click [link](#) for list of available drivers. Click [here](#) for voltage drop and distances.



International: +385 52 255 324 filixlighting.com
info@filixlighting.com
 Europe/GmbH: info@filixlighting.com
 Europe MENA: info@filixlighting.com
 North America: filixlighting-usa.com info@filixlighting.com

Filix reserves the right to make technical changes without notice.

RDD35 Deco

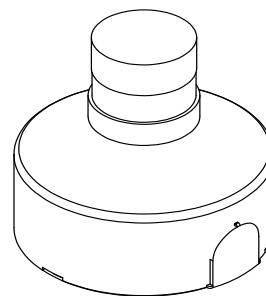
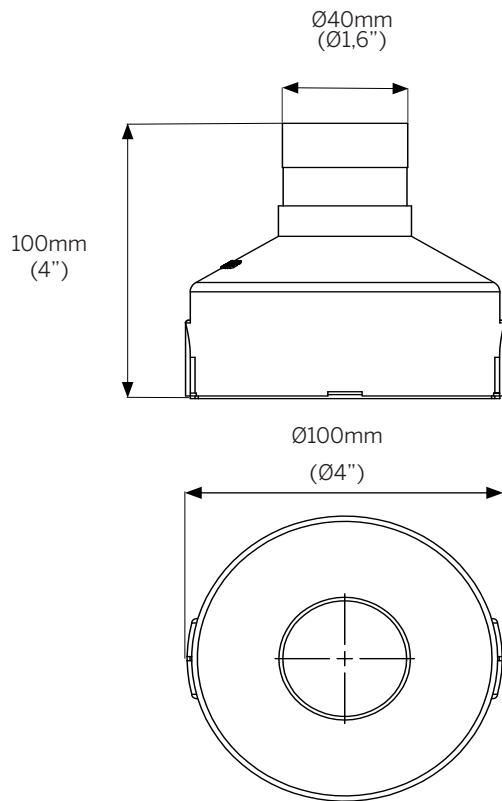
Dimensions



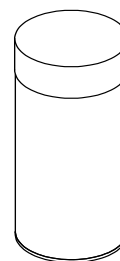
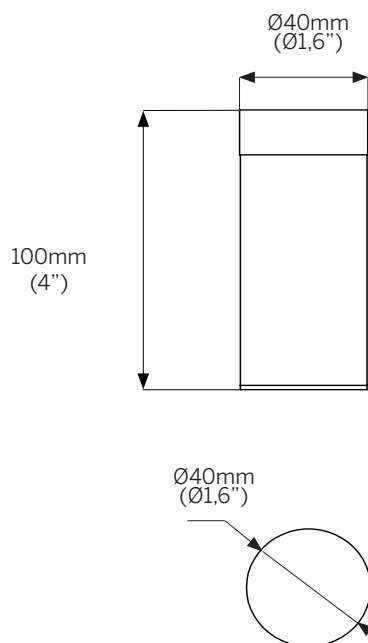
Note:
For details on specific depths, tiling thickness and other please refer to both Installation instructions for fixture and housing.

Installation housing - RD35C - Concrete installation

Installation details



Installation housing - RD35T - Tiles installation



International: +385 52 255 324 filixlighting.com
info@filixlighting.com
Europe/GmbH: info@filixlighting.com
Europe MENA: info@filixlighting.com
North America: filixlighting-usa.com info@filixlighting.com

Filix reserves the right to make technical changes without notice.