

# RD140 Deco

## Specification Sheet

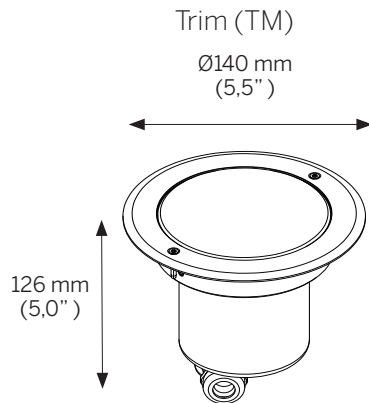


Ordering Information							
Model	Installation	Power	Color Temp.	Optics	Voltage	Options <sup>1</sup>	Options <sup>2</sup>
RD140	TM	H	27 30 40 TW DW	SP FL W	24 230* 230D* 230V*	C* C3 C6 C9	SB DB



### Application

- Architectural and landscape lighting
- Large interior lobby spaces
- Recessed floor installation
- Gravel, soil or concrete
- UL STD 1598, IP67, Wet location, drive over rated 1500 kg (3300lb)



### Luminaire

- Sustainable design, screw in replaceable LED module
- AGS - Anty glare system
- High performance optics
- Integrated power supply (option)
- Clear tempered glass 15mm (5/8") thick
- Stainless steel type 304 fixture body
- Installation with type A2 screws
- Supplied with oil and water resistant 0.3m (1') feed cable standard
- IK10

### Installation

- Trim (TM)

### Power

- H - 13W, 2700K - 4000K, 1160 lm (shallow beam)
- H - 13W, 2700K - 4000K, 600 lm (deep beam)

### POWER SUPPLIES

List of proposed power supplies that are to be ordered separately. Please click [link](#) for list of available drivers

Click [here](#) for voltage drop and distances.

### Color Temperature

- 27 - 2700K
- 30 - 3000K
- 40 - 4000K
- TW - 1800 - 4000K (tunable white)
- DW - 1800 - 4000K (dim to warm)
- 2 Step MacAdam
- CRI: > 85

### Optics

- SP - Spot - 17°
- FL - Flood - 31°
- W - Wide - 50°

### Voltage

- 24 - 24VDC fixture voltage
- 230 - 220-240VDC fixture voltage (on/off)
- 230D - 220-240VDC fixture voltage /Dali
- 230V - 220-240VDC fixture voltage /1-10V

\*Power supply located in the IP67 back box

### Options<sup>1</sup>

- C\* - standard feed cable 0.3m (1')
- C3 - luminaire supplied with 3m (10') feed cable \* 24V only
- C6 - luminaire supplied with 6m (20') feed cable \* 24V only
- C9 - luminaire supplied with 9m (30') feed cable \* 24V only

### Option<sup>2</sup> glare control

- SB-Shallow Beam-regressed optics 35mm
- DB-Deep Beam -regressed optics 65mm (super low glare)

### Installation housing

- RD140C

International: +385 52 255 324 [filixlighting.com](http://filixlighting.com)

[info@filixlighting.com](mailto:info@filixlighting.com)

Europe/GmbH: [info@filixlighting.com](mailto:info@filixlighting.com)

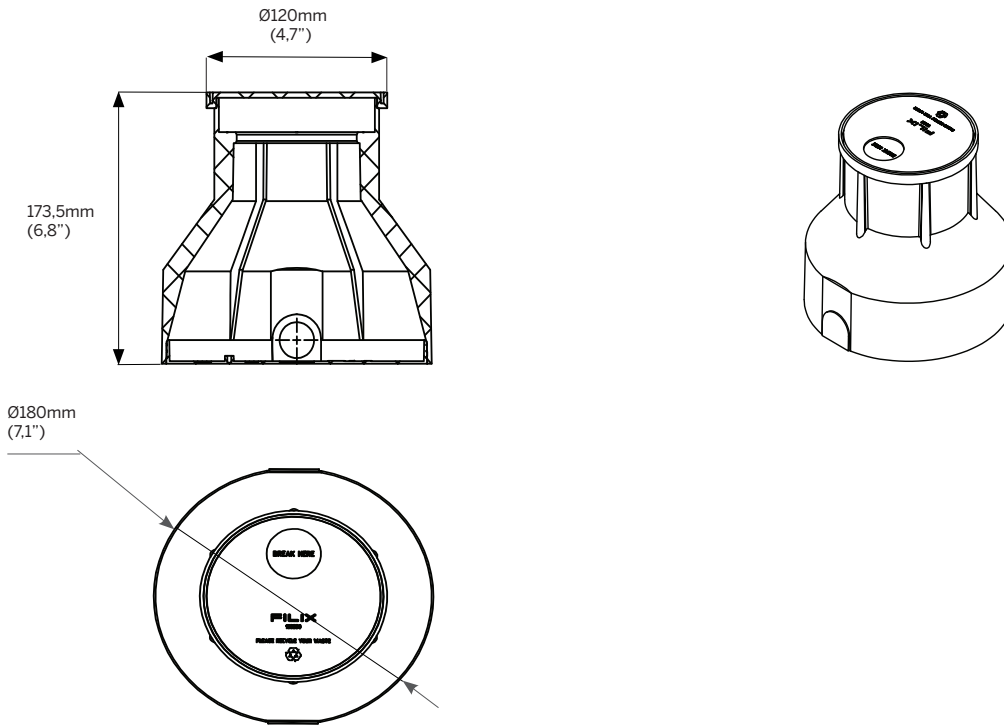
Europe MENA: [info@filixlighting.com](mailto:info@filixlighting.com)

North America: [filixlighting-usa.com](http://filixlighting-usa.com) [info@filixlighting.com](mailto:info@filixlighting.com)

Filix reserves the right to make technical changes without notice.

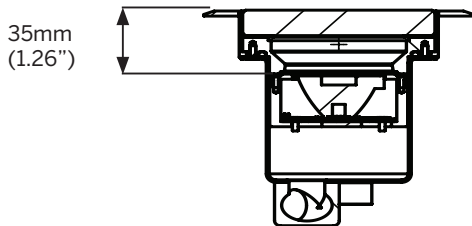
**Installation housing -RD140C - Concrete installation**

Installation housing

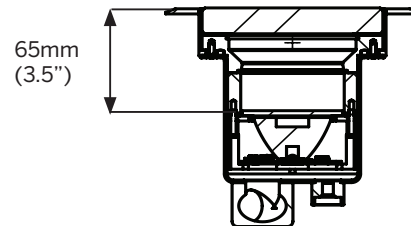


**Glare control SB / DB**

SHALLOW BEAM



DEEP BEAM



International: +385 52 255 324 [filixlighting.com](http://filixlighting.com)  
[info@filixlighting.com](mailto:info@filixlighting.com)  
 Europe/GmbH: [info@filixlighting.com](mailto:info@filixlighting.com)  
 Europe MENA: [info@filixlighting.com](mailto:info@filixlighting.com)  
 North America: [filixlighting-usa.com](http://filixlighting-usa.com) [info@filixlighting.com](mailto:info@filixlighting.com)

Filix reserves the right to make technical changes without notice.