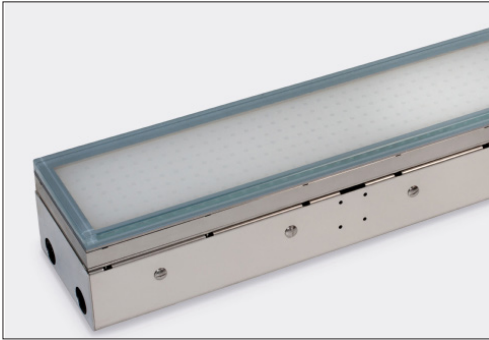


RCP600 Paver

Specification Sheet



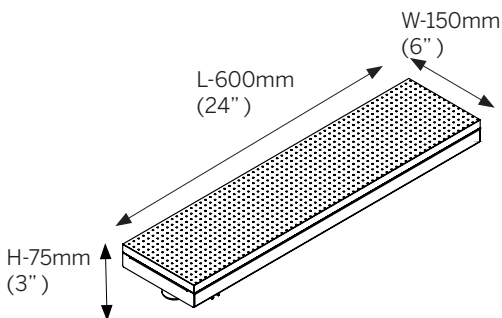
Ordering Information

Model	Installation	Power	Color Temp.	Optics	Voltage	Options
RCP600	TS	H	27 30 40 RGB	LL	24	C* C3 C6 C9



Application

- Architectural and landscape lighting
- Marker light
- Recessed floor installation
- Gravel, soil or concrete
- UL STD 1598, IP67, Wet location, drive over rated 1500KG (3300 lb)



Luminaire

- Sustainable design, replaceable LED module
- Remote power supply
- Anti slip tempered glass 15mm (5/8") thick, with inner opal film to create marker light
- Slip resistance certified to DIN 51130: classification R 11
- Stainless steel type 304 construction
- Direct concrete pour housing
- Snap in installation with no exposed hardware
- Supplied with oil and water resistant 1m (3.3') feed cable standard
- IK10

Installation

- TS - Trimless

Power - Delivered lumens

- H - 11W, 2700K - 4000K, 730lm

Color Temperature

- 27 - 2700K
- 30 - 3000K
- 40 - 4000K
- RGB
- 2 Step MacAdam
- CRI: > 85

Optics

- LL - 120° even illumination

Voltage

- 24 - 24VDC fixture voltage

Options

- C* - standard feed cable 1m (3.3')
- C3 - luminaire supplied with 3m (10') feed cable
- C6 - luminaire supplied with 6m (20') feed cable
- C9 - luminaire supplied with 9m (30') feed cable

Installation housing

- RC600

POWER SUPPLIES

List of proposed power supplies that are to be ordered separately. Please click [link](#) for list of available drivers.

Click [here](#) for voltage drop and distances.

International: +385 52 255 324 [filixlighting.com](mailto:info@filixlighting.com)
info@filixlighting.com
 Europe/GmbH: info@filixlighting.com
 Europe MENA: info@filixlighting.com
 North America: [filixlighting-usa.com](mailto:info@filixlighting.com) info@filixlighting.com

Filix reserves the right to make technical changes without notice.

RCP600 Paver

Dimensions

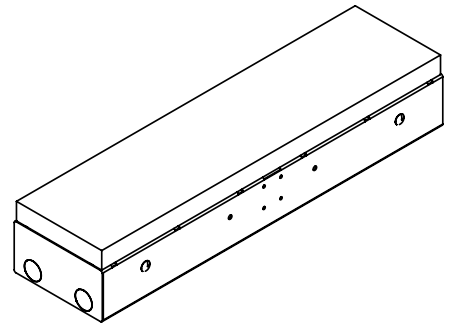
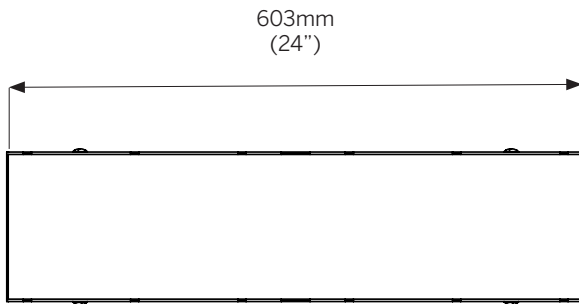
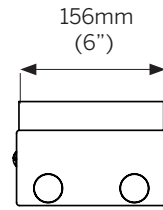
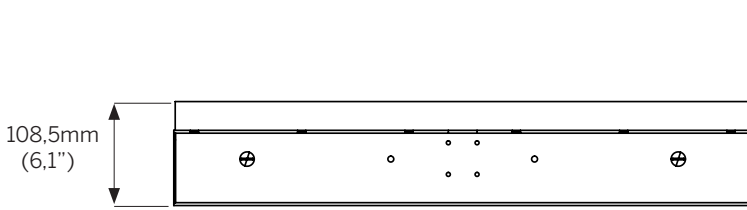


Note:

For details on specific depths, tiling thickness and other please refer to both Installation instructions for fixture and housing.

Installation housing - RC600

Installation details



International: +385 52 255 324 filixlighting.com
info@filixlighting.com
Europe/GmbH: info@filixlighting.com
Europe MENA: info@filixlighting.com
North America: filixlighting-usa.com info@filixlighting.com

Filix reserves the right to make technical changes without notice.