

RCP200 Paver

Specification Sheet



Ordering Information

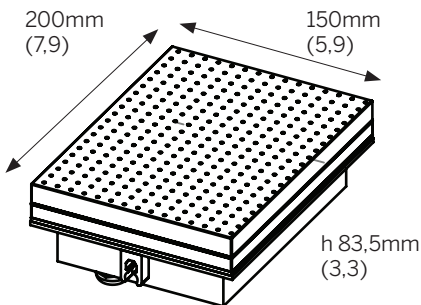
Model	Installation	Power	Color Temp.	Optics	Voltage	Options
RCP200	TS	H	27 30 40 RGB	LL	24	C* C3 C6 C9



Application

- Large public and hotel areas
- Residential areas
- Floor installation
- Interior and Exterior
- Historical and architectural landmarks
- Open public and private areas

Trimless (TS)



Luminaire

- Sustainable design, replaceable LED module
- Remote power supply
- UL STD 1598, wet location, IP67, drive over rated 1500kg (3000 lb)
- Anti slip tempered glass 15mm (5/8") thick, with inner opal film to create marker light
- Slip resistance certified to DIN 51130: classification R 11
- Stainless steel type 304 construction, direct concrete pour housing
- Snap in installation with no exposed hardware
- Supplied with oil and water resistant 0.3m (2') feed cable standard (C*), single color 2x0,82mm², RGB 4x0,82mm²

Installation

- TS - Trimless

Power Delivered lumens

- H - 4,8W 2700K - 4000K, 530lm
- H - 6W RGB

Color Temperature

- 27 - 2700K
- 30 - 3000K
- 40 - 4000K
- RGB
- 2 Step MacAdam
- CRI: > 835

Optics

- LL - 120° even illumination

Voltage

- 24 - 24VDC fixture voltage

Options

- C* - standard feed cable 0.3m (2')
- C3 - luminaire supplied with 3m (10') feed cable
- C6 - luminaire supplied with 6m (20') feed cable
- C9 - luminaire supplied with 9m (30') feed cable

Installation housing

- RC200

POWER SUPPLIES

List of proposed power supplies that are to be ordered separately.

Please click [link](#) for list of available drivers.

Click [here](#) for voltage drop and distances.

International: +385 52 255 324 [filixlighting.com](mailto:info@filixlighting.com)
info@filixlighting.com

Europe/GmbH: info@filixlighting.com

Europe MENA: info@filixlighting.com

North America: filixlighting-usa.com info@filixlighting.com

Filix reserves the right to make technical changes without notice.

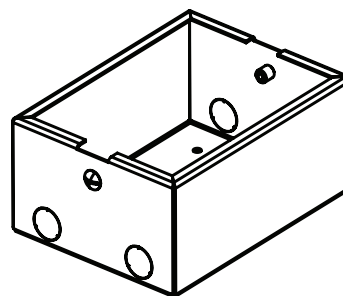
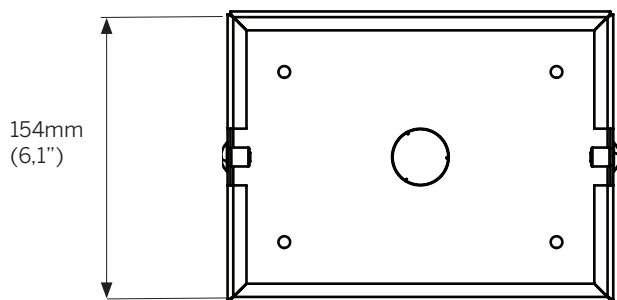
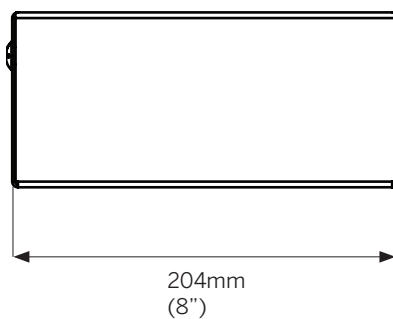
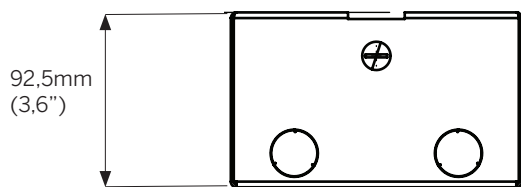
RCP200 Paver

Dimensions



Installation housing - RC200

Installation housing



International: +385 52 255 324 filixlighting.com
info@filixlighting.com
Europe/GmbH: info@filixlighting.com
Europe MENA: info@filixlighting.com
North America: filixlighting-usa.com info@filixlighting.com
Filix reserves the right to make technical changes without notice.