

HYPERION Wall

Specification Sheet



Ordering Information					
Model	Installation	Power	Color.Temp	Optics	Options
HYW	TM TS	L	27	W D	D V
			30		
			40		



Application

- Architectural and landscape lighting
- Recessed wall mount
- Back Box installation
- 2 beam angles
- UL STD 1598, IP66, Wet location

Luminaire

- Aluminum structure body
- UL STD 1598, IP66, Wet location
- Cleared tempered glass 6mm (1/4")
- Anodized
- Base for feed through connection
- Recessed lens
- Powder coated body
- Aluminum construction
- Integrated power supply
- IK10

Color Temperature

- 27 - 2700K
- 30 - 3000K
- 40 - 4000K
- 2 Step MacAdam
- CRI: > 85

Optics

- W - Wide beam
- D - Deep beam

Constant Voltage

- 110-240V

Options

- D - DALI
- V - 0-10V

Installation

- Trim (TM)
- Trimless (TS)

Power - Delivered lumens

- L - 9W, 2700K - 4000K, 435lm

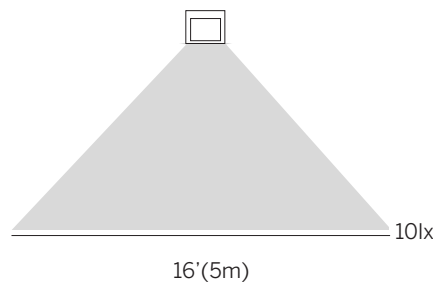
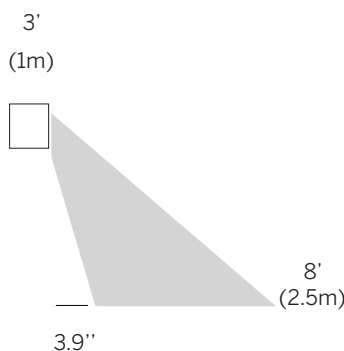
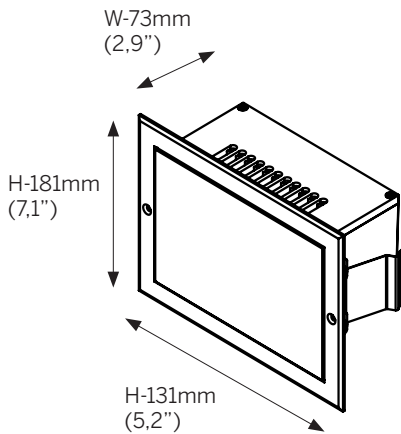
Installation housing order code

- HYW150 - 150mm (5,9")

POWER SUPPLIES

List of proposed power supplies that are to be ordered separately. Please click [link](#) for list of available drivers.

Click [here](#) for voltage drop and distances.



HYPERION Wall

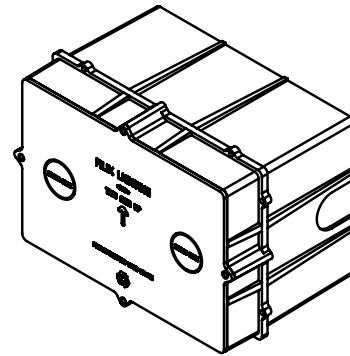
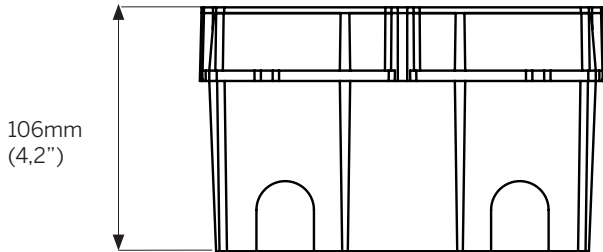
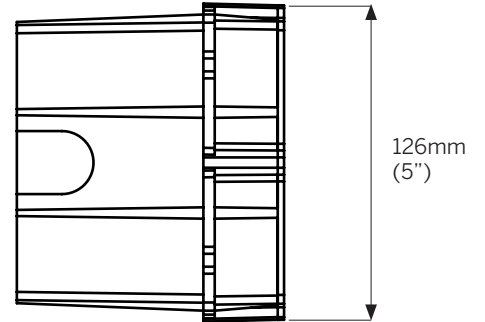
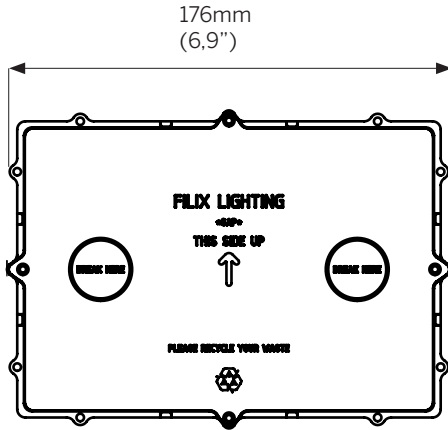
Specification Sheet



Note:
For details on specific depths, tiling thickness and other please refer to both Installation instructions for fixture and housing.

Installation housing - HYW150 - 150mm

Installation details



International: +385 52 255 324 filixlighting.com info@filixlighting.com
 Europe/GmbH: info@filixlighting.com
 Europe MENA: info@filixlighting.com
 North America: filixlighting.com info@filixlighting.com

Filix reserves the right to make technical changes without notice.