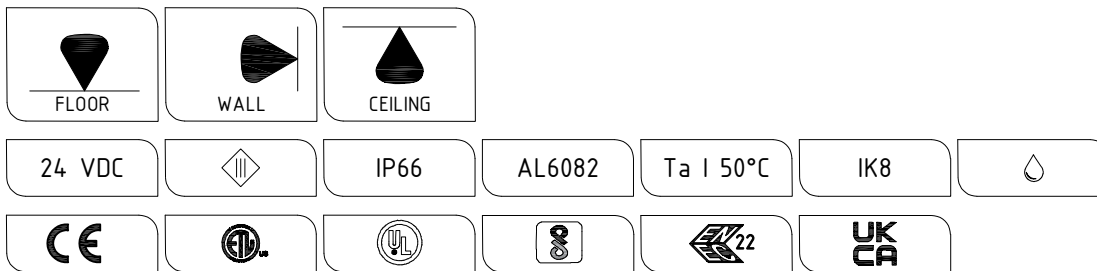
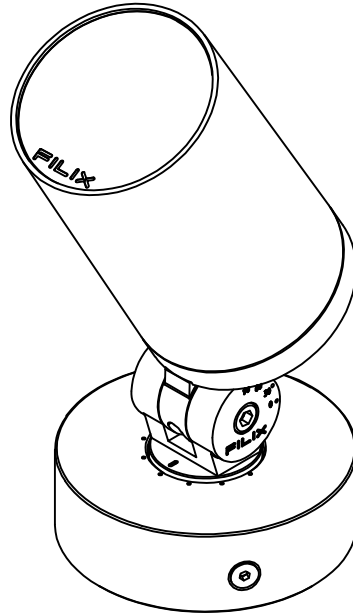


FARO

INSTALLATION INSTRUCTIONS (FIXTURE)



ALL DIMENSIONS ARE GIVEN ACCORDING TO THE SI SYSTEM OF UNITS (MM, KG, °C), ADDITIONAL DIMENSIONS THAT ARE WRITTEN IN BRACKETS, ARE GIVEN ACCORDING TO THE U.S. MEASUREMENT SYSTEM (IN, LBS, °F)

GENERAL REMARKS ON SAFETY

- READ ALL OF THESE INSTRUCTIONS BEFORE INSTALLATION.
- KEEP ALL OF THE INSTRUCTIONS FOR FUTURE REFERENCE.
- INSTALLATION IS TO BE PERFORMED BY A QUALIFIED CONTRACTOR.
- ALL INSTALLATIONS ARE TO CONFORM TO THE STANDARDS OF THE NATIONAL ELECTRICAL CODE AS WELL AS ALL LOCAL JURISDICTIONAL CODES AND REGULATIONS.
- THE MANUFACTURER ACCEPTS NO RESPONSIBILITY FOR DAMAGE TO PERSONS OR PROPERTY ARISING THROUGH IMPROPER USE OR INSTALLATION.
- FOR WARRANTY CONDITIONS PLEASE CONSULT LOCAL SALES REPRESENTATIVE.

WIRING

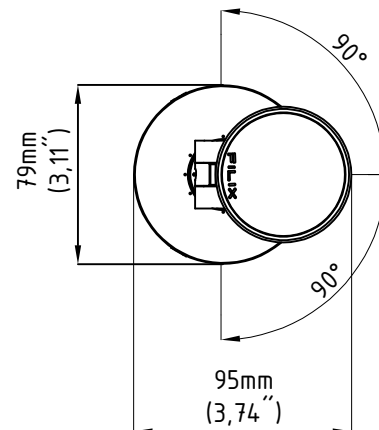
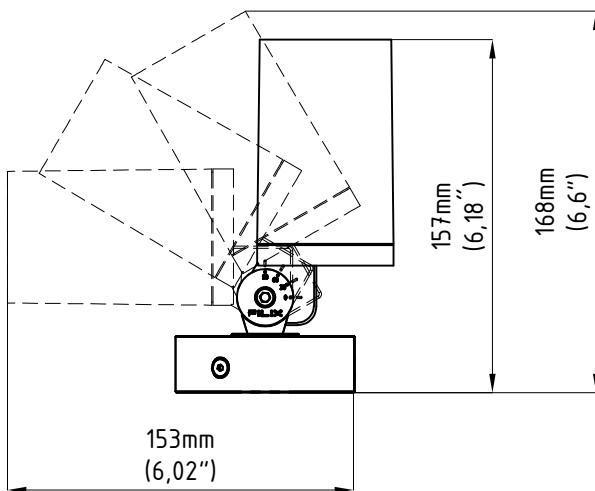
WIRE MARKINGS

OPTION WITH SINGLE LED COLOR

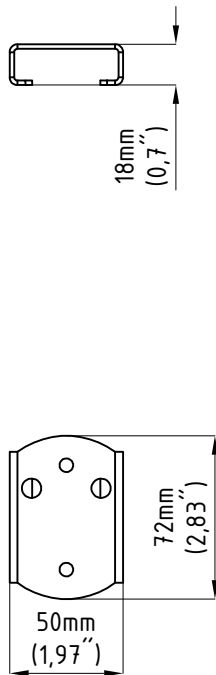
- + BLACK WIRE
- WHITE WIRE

NOTE:
CONTROL GEAR USED TO POWER THIS LUMINAIRE SHALL BE SELV TYPE; HIGHEST ALLOWED U_{out} TO BE MAX 10% OF THE NOMINAL VOLTAGE OF CONTROL GEAR; MAXIMUM ALLOWED WIRING DISTANCE BETWEEN CONTROL GEAR AND LUMINAIRE WITH STANDARD SUPPLIED CABLE IS 9 m OR 30'. INSTALLATION OF LONGER WIRING LENGTHS SHOULD BE DISCUSSED WITH MANUFACTURER PRIOR THE FIXTURE ORDERING.
WHERE LUMINAIRE IS DELIVERED WITH CONNECTING LEADS AND WITHOUT A MEANS OF CONNECTION TO THE POWER SUPPLY TERMINAL BLOCKS MAY BE USED (TERMINAL BLOCKS NOT SUPPLIED BY MANUFACTURER). TERMINAL BLOCKS SHALL BE IN THE SAME IP RATING AS THE LUMINAIRE ITSELF, WITH RATED VOLTAGE OF MIN. 400 V AND RATED CONNECTION CAPACITY OF 10A. CONNECTION WIRE ENDS COMING FROM POWER SUPPLY TO BE PREPARED AS TERMINAL BLOCK MANUFACTURER RECOMMENDS. TERMINAL BLOCK SHOULD BE PLACED IN A LOCATION WHERE IT DOES NOT AFFECT THE LUMINAIRE OPERATION.

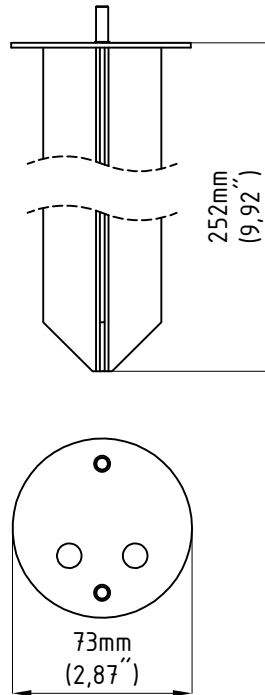
FIXTURE DIMENSIONS



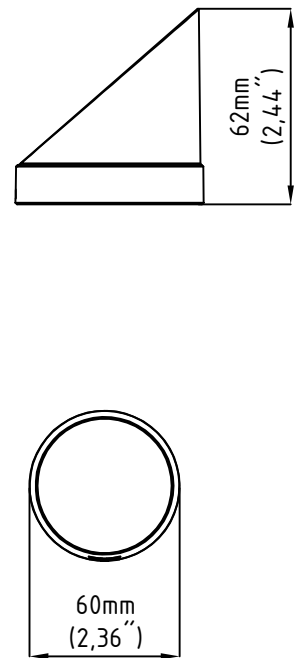
TREE STRAP ADAPTER



SPIKE ADAPTER



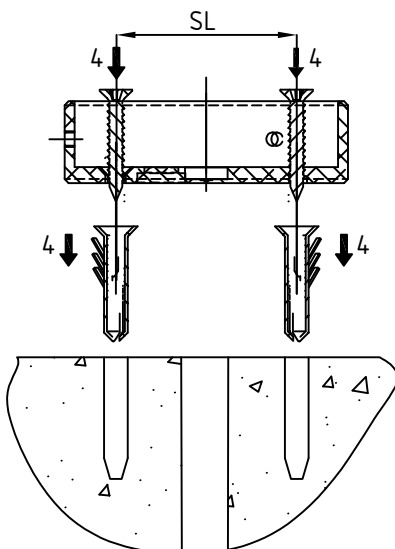
SNOOT ADAPTER



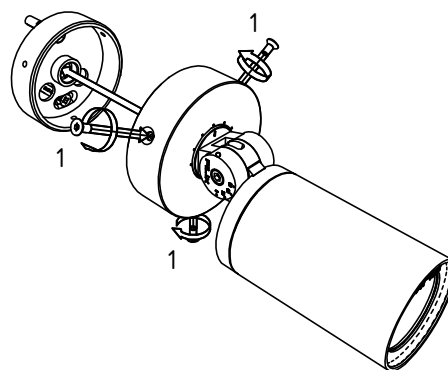
INSTALLATION GUIDE

FIXTURE INSTALLATION

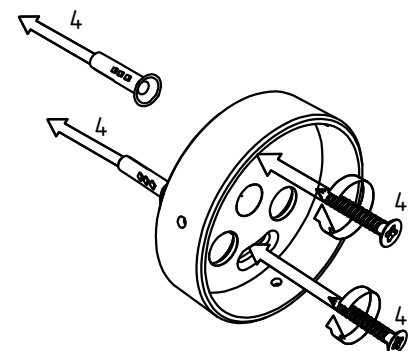
1. DISMANTLE BOTTOM HOLDER AS SHOWN IN DETAIL "A" (KEEP SCREWS FOR STEP 6)
2. MARK MOUNTING HOLES LOCATION (SCREW $\phi 4\text{mm}$ (0,16") x 2) AS PER DRILL TEMPLATE (SL=45,5mm/1,8") ON PAGE 5
3. DRILL THE HOLES
4. INSERT THE ANCHORS AND FASTEN THE SCREWS AS PER DETAIL "B" (SCREWS/ANCHOR NOT SUPPLIED BY MANUFACTURER)
5. CONNECT THE FIXTURE WIRES WITH SUPPLY CABLE
6. REASSEMBLE FIXTURE HOLDER WITH SCREWS FROM STEP 1



DETAIL "A"



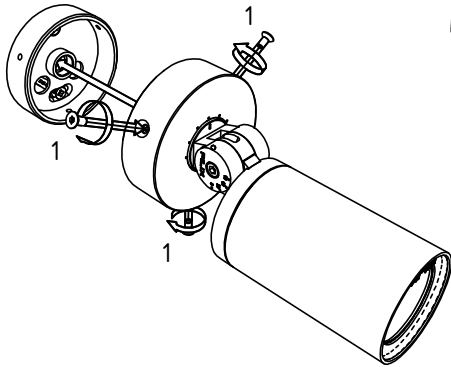
DETAIL "B"



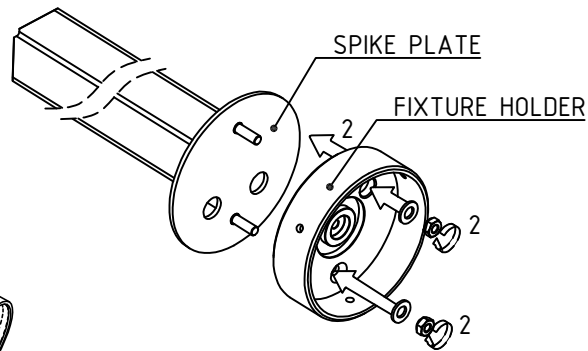
SPIKE INSTALLATION

1. DISMANTLE FIXTURE HOLDER AS SHOWN IN DETAIL "A" (KEEP SCREWS FOR STEP 5)
2. PLACE FIXTURE HOLDER ON SPIKE AS SHOWN IN DETAIL "B" PLACE WASHER M4/A2 THEN NUT M4/A2 AND FASTEN NUT (SUPPLIED BY MANUFACTURER)
3. CONNECT THE FIXTURE WIRES WITH SUPPLY CABLE
4. REASSEMBLE FIXTURE HOLDER WITH SCREWS FROM STEP 1
5. PUSH THE LIGHTING FIXTURE IN THE GROUND (SEE DETAIL "C") UNTIL THE SPIKE IS NOT VISIBLE

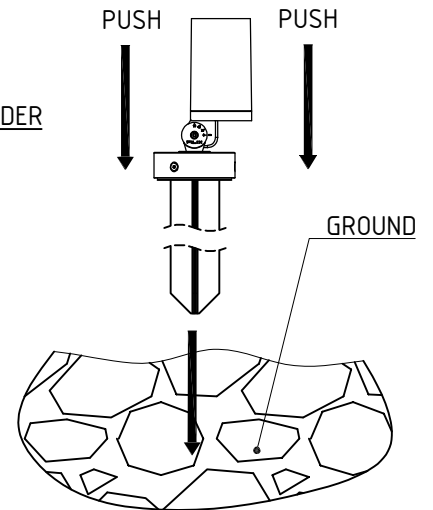
DETAIL "A"



DETAIL "B"



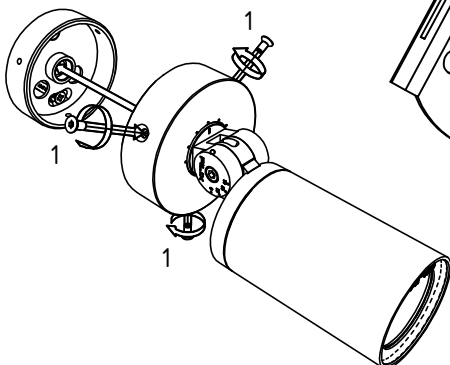
DETAIL "C"



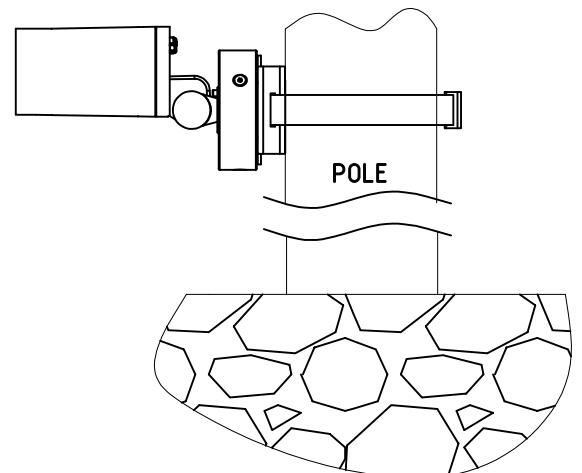
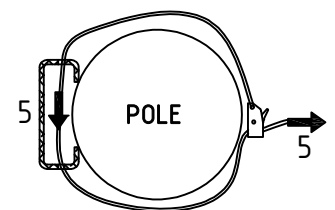
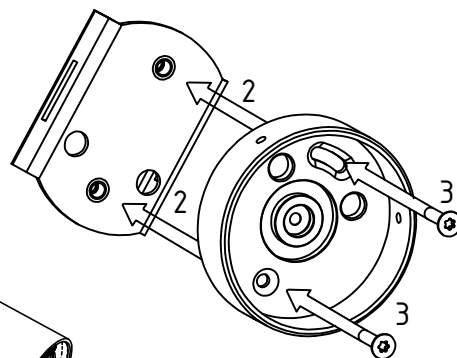
TREE STRAP INSTALLATION

1. DISMANTLE FIXTURE HOLDER AS SHOWN IN DETAIL "A" (KEEP SCREWS FOR STEP 4)
2. PLACE FIXTURE HOLDER ON POLE BRACKET AS SHOWN IN DETAIL "B"
3. FASTEN SCREW ISO 14581 M4x16/A2 (SUPPLIED BY MANUFACTURER)
4. REASSEMBLE FIXTURE HOLDER WITH SCREWS AS DESCRIPTION STEP 1
5. FIX FIXTURE WITH STRAP ON A POLE
6. CONNECT THE FIXTURE WIRES WITH SUPPLY CABLE

DETAIL "A"



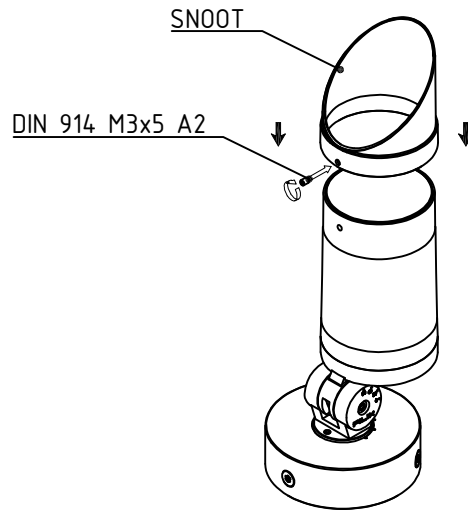
DETAIL "B"



SNOOT INSTALLATION

1. MOUNT THE FIXTURE AND CONNECT THE FIXTURE WIRES WITH SUPPLY CABLE
2. PLACE THE SNOOT ON THE PROJECTOR AS SHOWN IN DETAIL "A"
3. FASTEN SCREW DIN 914 - M3x5 A2 (SUPPLIED BY MANUFACTURER)
4. ADJUST THE PROJECTOR

DETAIL "A"



DRILL TEMPLATE

