



SQD100 Deco

Specification Sheet



UL STD 1598
IP67

LUMINAIRE FEATURES

Design and Application

- Architectural and landscape lighting
- Large interior lobby spaces
- Recessed floor installation
- Gravel, soil or concrete installation
- UL STD 1598, IP67, Wet location, drive over rated 1500 kg (3300lb)

Performance

- IK10, Tempered glass, crystal clear
- Aluminium construction fixture body
- Stainless steel type 304 flange
- Snap in installation with no exposed hardware
- Galvanic current protection (installation housing)
- Lifetime TM-21 @85C L90(10K)=60500h
- Supplied with oil and water resistant 0,3m (1') feed cable as standard
- CRI: > 85
- 2 Step MacAdam

Safety

- Remote power supply
- Low voltage operation
- Recessed installation

Sustainability

- Recyclable material

Installation housing

- SQ100C - Trim
- SQ100T - Trimless

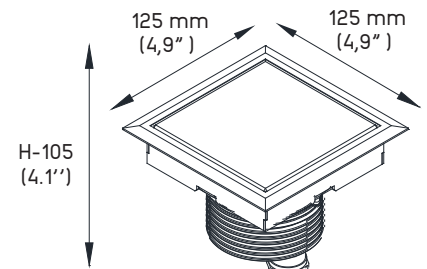
Accessories

- 104853 - Removal tool

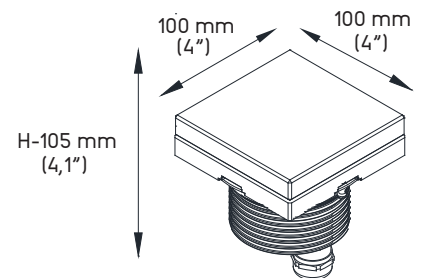
Power supplies

- List of proposed power supplies that are to be ordered separately.
- Click [here](#) for list of available drivers.
- Click [here](#) for voltage drop and distances.

Trim (TM)



Trimless(TS)



Click [here](#) to download fixture installation manual.
Click [here](#) to download housing installation manual.
Click [here](#) to download CAD file.
Click [here](#) to download IES-LTD data.



SQD100 Deco

ORDERING INFORMATION

MODEL

SQD100

INSTALLATION

TM

- Trim (TM)

TS

- Trimless (TS)

POWER

H

- H - 10W, 2700K - 3000K, 700 lm

COLOR TEMP.

27

- 27 - 2700K

30

- 30 - 3000K

OPTICS

SP

- SP - Spot - 17°

FL

- FL - Flood - 31°

GR

- GR - Graze - 17°x 36°

SX

- SX - Spot - 17° + hex

FX

- FX - Flood - 31° + hex

GX

- GX - Graze - 17x 36° + hex

VOLTAGE

24

- 24 - 24VDC fixture voltage

OPTIONS

3

- 3 - luminaire supplied with 3m (10') feed cable

6

- 6 - luminaire supplied with 6m (20') feed cable

9

- 9 - luminaire supplied with 9m (30') feed cable

GLARE CONTROL

1

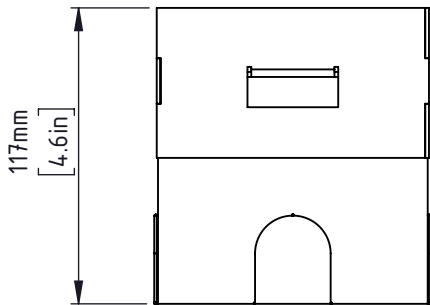
- 1 - with half moon



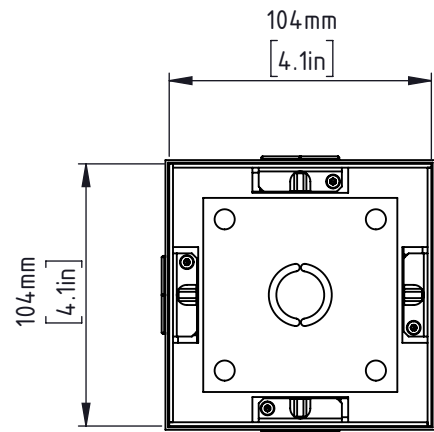
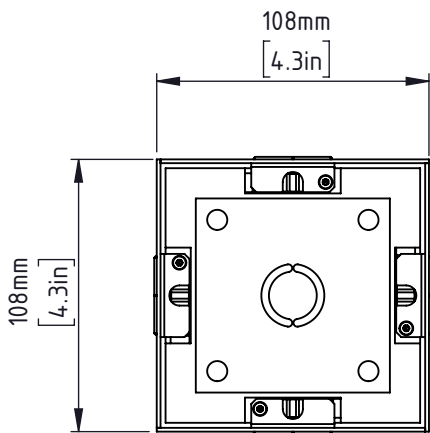
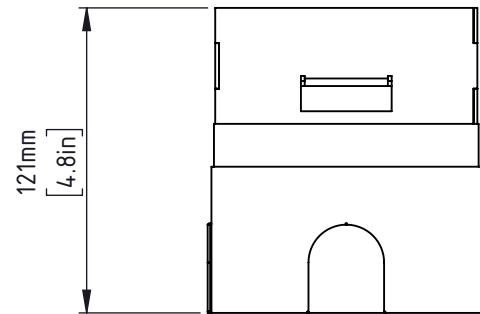
SQD100 Deco

INSTALLATION DETAILS

Installation housing - SQ100C - Trim installation



Installation housing - SQ100T - Trimless installation



Note:
For details on specific depths, tiling thickness and other please refer to both Installation instructions for fixture and housing.