



Ion Matrix

Specification Sheet



UL STD 1598
IP66

LUMINAIRE FEATURES

Design and Application

- Architectural and landscape lighting
- Surface mount
- Anchor installation
- 4 apertures, 5 light effects
- UL STD 1598, IP66, Wet location

Performance

- Aluminum structure body
- Anodized and painted body
- PIR sensors 4m reading
- PIR sensor intensity adjustment min.light output preset 10%
- Base for feed through connection
- Recessed lens
- On site head movement 360° degrees
- Integrated power supply
- Finish powder coat RAL9003/RAL7016 RAL9005 structure
- IP55 junction box
- IK10
- Lifetime TM-21 @85C L90(9K)=60500h
- CRI: > 85
- 2 Step MacAdam

Sustainability

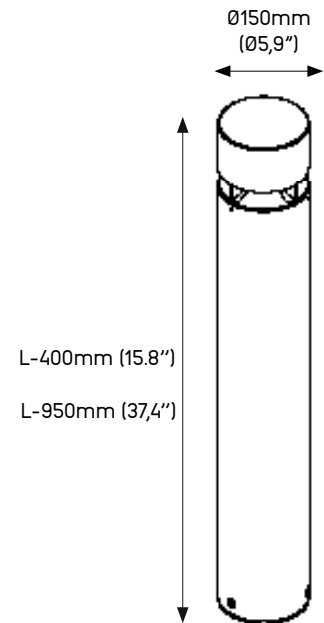
- Recyclable material

Accessories

- 201846 - Installation Anchor (H-400mm)

Power supplies

- List of proposed power supplies that are to be ordered separately.
- Please click [link](#) for list of available drivers.
- Click [here](#) for voltage drop and distances.



Click [here](#) to download fixture installation manual.

Click [here](#) to download CAD file.

Click [here](#) to download IES-LTD data.



Ion Matrix

ORDERING INFORMATION

MODEL

INX

HEIGHT

M

- M - 15,8" (400mm)

L

- L - 39,4" (1000mm)

POWER

L

- L -23W, 2700K-3000K, 750lm (360 degrees)

COLOR TEMP.

27

- 27 - 2700K

30

- 30 - 3000K

OPTICS

QM

- QM - 0-360°

FINISH

W

- W - RAL 9003 Structure (white)

AT

- AT - RAL 7016 Structure (grey antracite)

BK

- BK - RAL 9005 Structure (black)

OPTIONS

D

- D - DALI

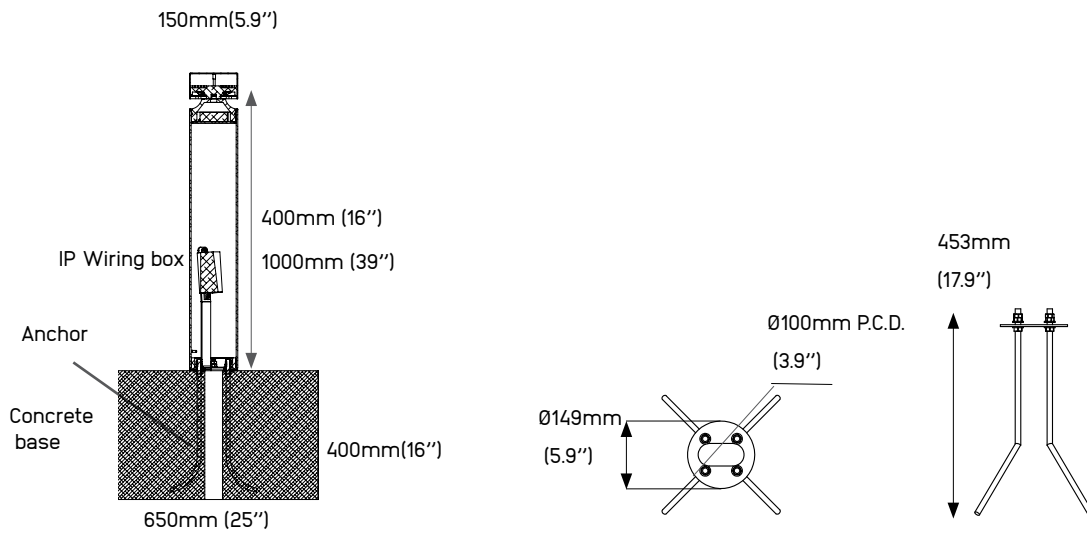
V

- V - 0-10V



Ion Matrix

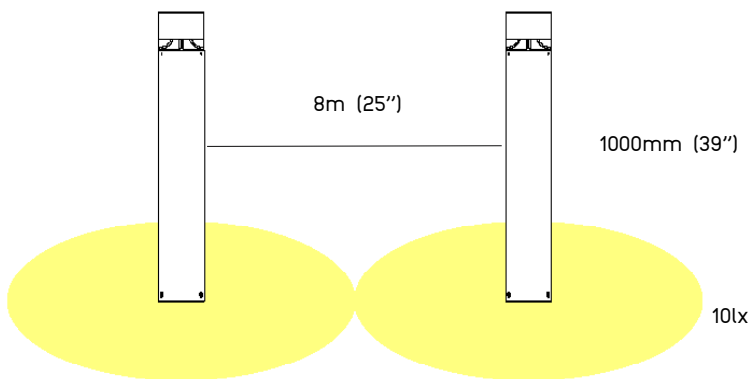
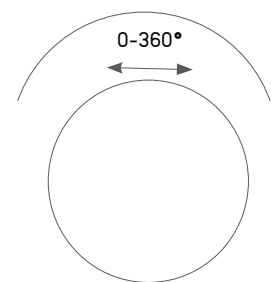
INSTALLATION DETAILS



MANUAL ON SITE LIGHT INTENSITY/DISTRIBUTION SWITCH



ON SITE HEAD MOVEMENT 360° WITH LOCK
Allows ON SITE manual head adjustment for change of light distribution angle or fine tuning.



Note:
For details on specific depths, tiling thickness and other please refer to both Installation instructions for fixture and housing.