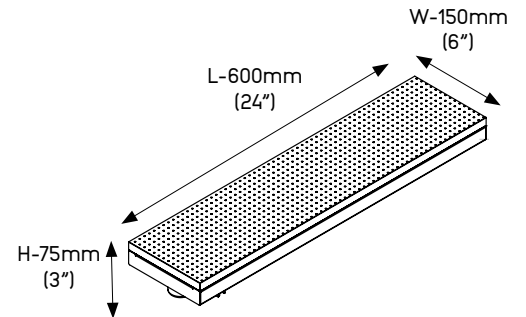
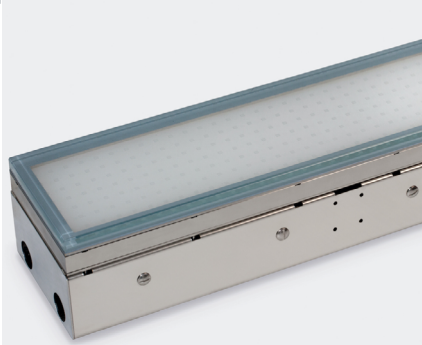




RCP600 Paver

Specification Sheet



UL STD 1598
IP67

LUMINAIRE FEATURES

Design and Application

- Architectural and landscape lighting
- Large public and hotel areas
- Marker light effect
- UL STD 1598, IP67, Wet location, drive over rated 1500 kg (3300lb)

Performance

- IK10, Tempered glass, crystal clear
- Continuous run of standard lengths
- Remote power supply
- Stainless steel type 304 body
- Snap in installation with no exposed hardware
- Galvanic current protection (installation housing)
- Lifetime TM-21 @85C L90(9K)=60500h
- Supplied with oil and water resistant 1m (3,3') feed cable as standard
- CRI: > 85
- 2 Step MacAdam

Safety

- Remote power supply
- Low/Main voltage operation
- Recessed installation
- Slip resistance certified to DIN 51130: classification R 11

Sustainability

- Recyclable material
- Replaceable LED module

Installation housing

- RC600

Power supplies

- List of proposed power supplies that are to be ordered separately.
- Please click [link](#) for list of available drivers.
- Click [here](#) for voltage drop and distances.

Click [here](#) to download fixture installation manual.
Click [here](#) to download housing installation manual.
Click [here](#) to download CAD file.
Click [here](#) to download IES-LTD data.



RCP600 Paver

ORDERING INFORMATION

MODEL

RCP600

POWER

H

- H - 11W, 2700K - 3000K, 730lm
- H - 11W, RGB

COLOR TEMP.

27

- 27 - 2700K

30

- 30 - 3000K

RGB

- RGB

OPTICS

LL

- LL = 120° even illumination

VOLTAGE

24

- 24 - 24VDC fixture voltage

OPTION

C

- C* - standard feed cable 0,3m (1')

3

- 3 - luminaire supplied with 3m (10') feed cable

6

- 6 - luminaire supplied with 6m (20') feed cable

9

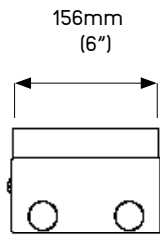
- 9 - luminaire supplied with 9m (30') feed cable



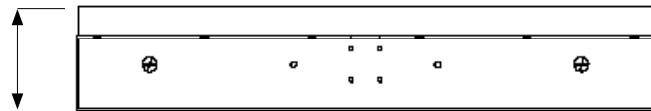
RCP600 Paver

INSTALLATION DETAILS

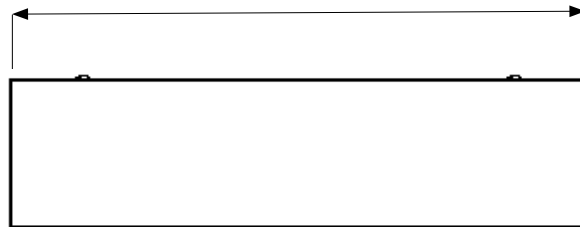
Installation housing - RC600



108,5mm
(6,1")



603mm
(24")



Note:
For details on specific depths, tiling thickness and other please refer to both Installation instructions for fixture and housing.