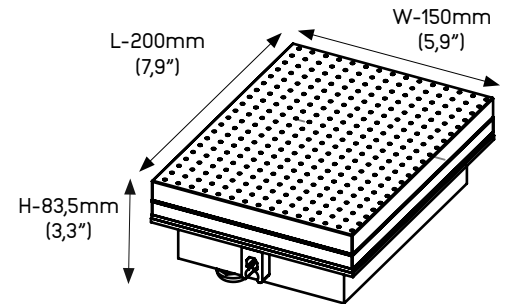




# RCP200 Paver

Specification Sheet



**UL STD 1598**  
**IP67**

## LUMINAIRE FEATURES

### Design and Application

- Architectural and landscape lighting
- Large public and hotel areas
- Marker light effect
- UL STD 1598, IP67, Wet location, drive over rated 1500 kg (3300lb)

### Performance

- IK10, Tempered glass, crystal clear
- Continuous run of standard lengths
- Remote power supply
- Stainless steel type 304 body
- Snap in installation with no exposed hardware
- Galvanic current protection (installation housing)
- Lifetime TM-21 @85C L90(9K)=60500h
- Supplied with oil and water resistant 1m (3,3') feed cable as standard
- CRI: > 85
- 2 Step MacAdam

### Safety

- Remote power supply
- Low/Main voltage operation
- Recessed installation
- Slip resistance certified to DIN 51130: classification R 11

### Sustainability

- Recyclable material
- Replaceable LED module

### Installation housing

- RC200

### Power supplies

- List of proposed power supplies that are to be ordered separately.
- Please click [link](#) for list of available drivers.
- Click [here](#) for voltage drop and distances.

Click [here](#) to download fixture installation manual.  
Click [here](#) to download housing installation manual.  
Click [here](#) to download CAD file.  
Click [here](#) to download IES-LTD data.



## RCP200 Paver

### ORDERING INFORMATION

#### MODEL

RCP200

#### POWER

H

- H - 4,8W, 2700K - 3000K, 530lm
- H - 6W, RGB

#### COLOR TEMP.

27

- 27 - 2700K

30

- 30 - 3000K

RGB

- RGB

#### OPTICS

LL

- LL = 120° even illumination

#### VOLTAGE

24

- 24 - 24VDC fixture voltage

#### OPTION

C

- C\* - standard feed cable 0,3m (1')

3

- 3 - luminaire supplied with 3m (10') feed cable

6

- 6 - luminaire supplied with 6m (20') feed cable

9

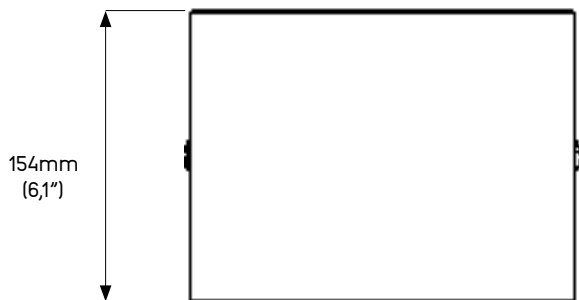
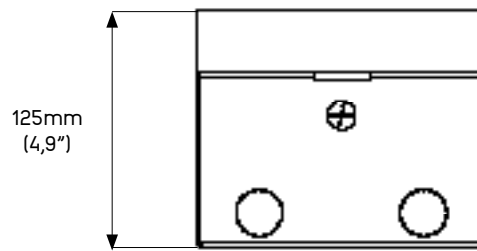
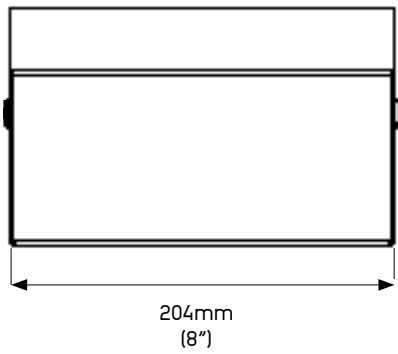
- 9 - luminaire supplied with 9m (30') feed cable



# RCP200 Paver

## INSTALLATION DETAILS

Installation housing - RC200



Note:  
For details on specific depths, tiling thickness and other please refer to both Installation instructions for fixture and housing.